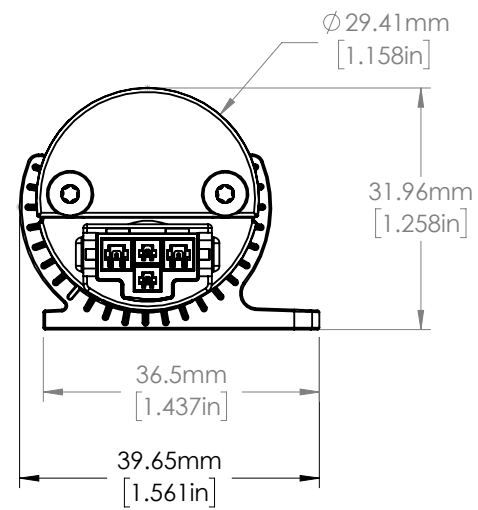
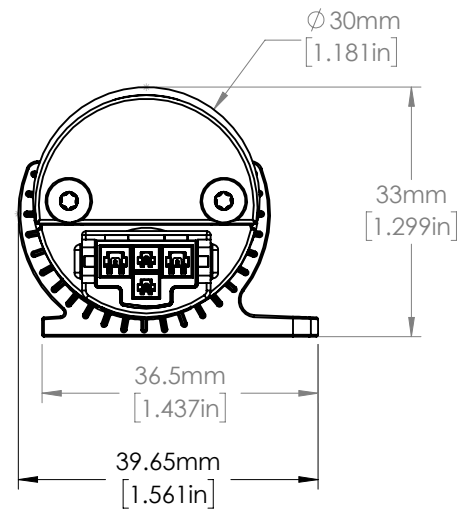


301.62mm
[11.875in]

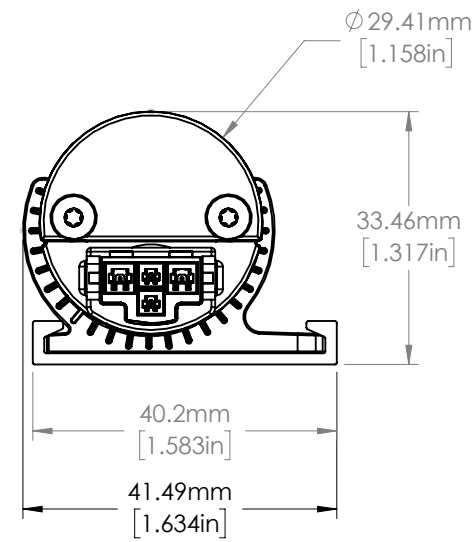
1215.93mm
[47.871in]



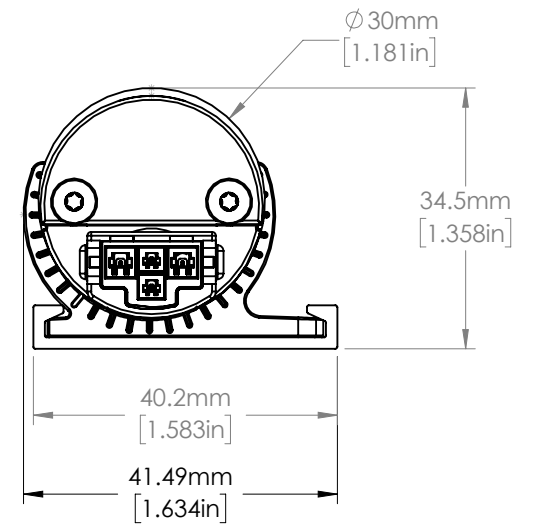
Fixture



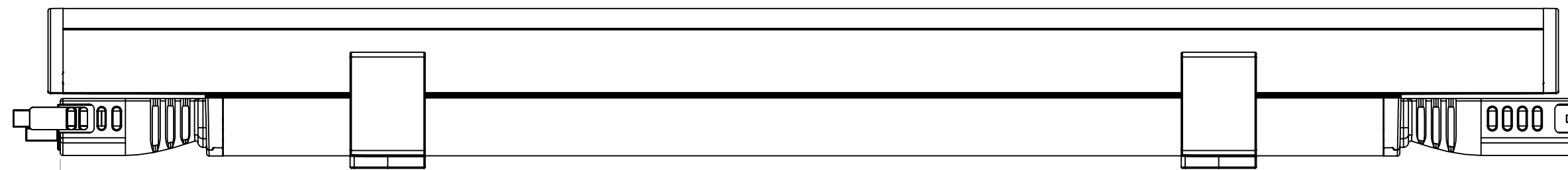
Fixture w/ frosted lens



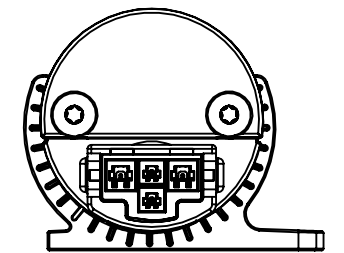
Fixture w/ track



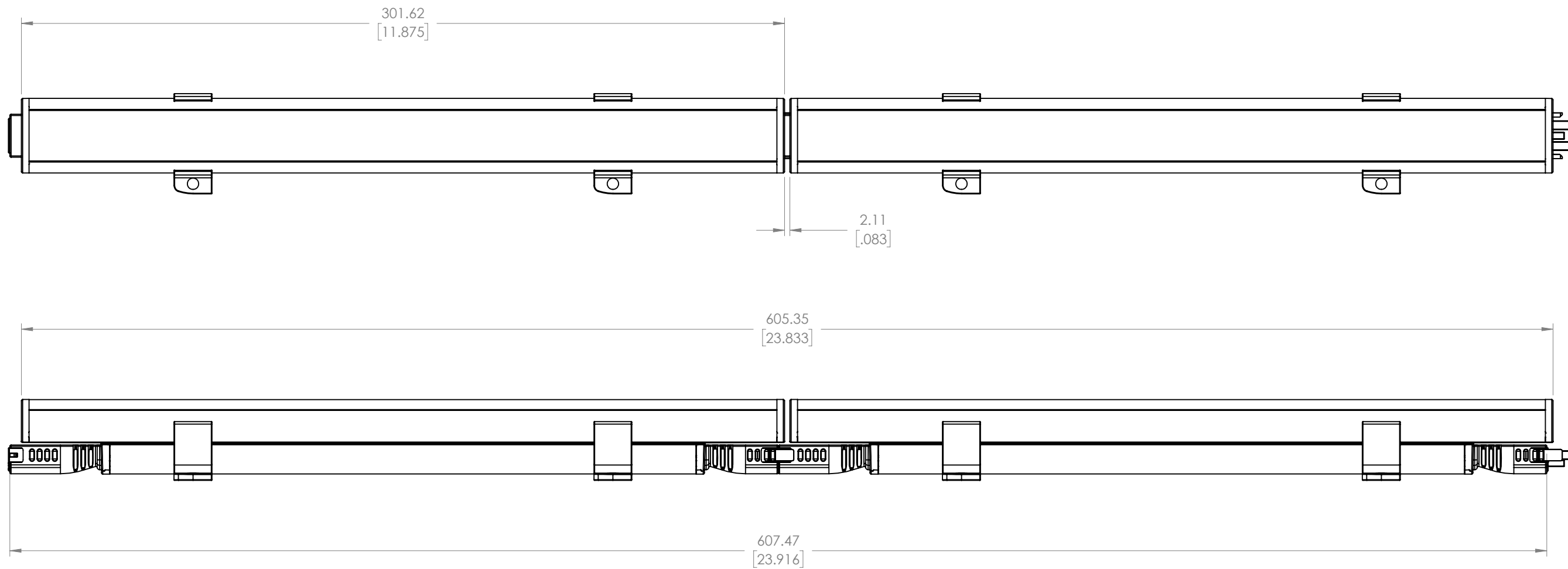
Fixture w/ track and frosted lens



304.23mm
[11.978in]



<p>PROPRIETARY AND CONFIDENTIAL</p> <p>THE INFORMATION CONTAINED IN THIS DRAWING IS THE SOLE PROPERTY OF ECOSENSE LIGHTING, INC. ANY REPRODUCTION IN PART OR AS A WHOLE WITHOUT THE WRITTEN PERMISSION OF ECOSENSE LIGHTING IS PROHIBITED. © 2017 ECOSENSE LIGHTING, INC.</p>	UNLESS OTHERWISE SPECIFIED	<p>ECOSENSE</p> <p>TROV SLIM 1FT FIXTURE</p>				
	DIMENSIONS ARE IN MILLIMETERS	<p>TITLE</p> <p>T. SPRINGER</p>		<p>DATE DRAWN</p> <p>2020-08-18</p>	<p>DRAWING NUMBER</p> <p>L30-X-12-XX-XX-120</p>	<p>REV</p> <p>1</p>
	<p>TOLERANCES PER DIN ISO 2768 T1 CLASS M (MEDIUM)</p> <p>INTERPRET GEOMETRIC TOLERANCING PER: ASME Y14.5</p>	<p>PROJECT ENGINEER</p> <p>T. SPRINGER</p>	<p>THIRD ANGLE PROJECTION</p>	<p>SIZE</p> <p>B</p>	<p>SCALE</p> <p>1:1</p>	<p>SHEET</p> <p>1 OF 2</p>



PROPRIETARY AND CONFIDENTIAL THE INFORMATION CONTAINED IN THIS DRAWING IS THE SOLE PROPERTY OF ECOSENSE LIGHTING, INC. ANY REPRODUCTION IN PART OR AS A WHOLE WITHOUT THE WRITTEN PERMISSION OF ECOSENSE LIGHTING IS PROHIBITED. © 2017 ECOSENSE LIGHTING, INC.	UNLESS OTHERWISE SPECIFIED	ECOSENSE TROV SLIM 1FT FIXTURE				
	DIMENSIONS ARE IN MILLIMETERS	TITLE	DRAWN BY	DATE DRAWN	DRAWING NUMBER	REV
	TOLERANCES PER DIN ISO 2768 T1 CLASS M (MEDIUM) INTERPRET GEOMETRIC TOLERANCING PER: ASME Y14.5		T. SPRINGER	2020-08-18	L30-X-12-XX-XX-120	1
		PROJECT ENGINEER	THIRD ANGLE PROJECTION	SIZE	SCALE	SHEET
		T. SPRINGER		B	1:1	2 OF 2