

8

7

6

5

4

3

2

1

D

D

C

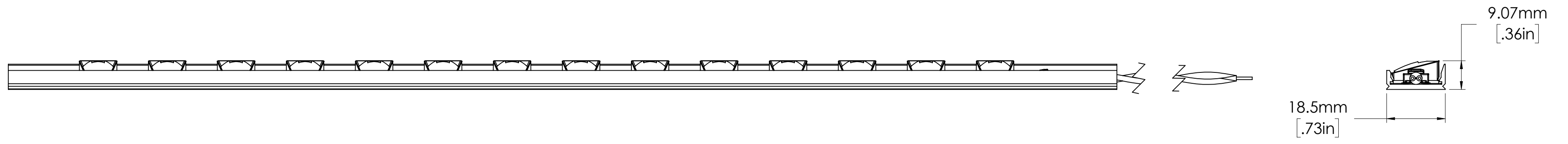
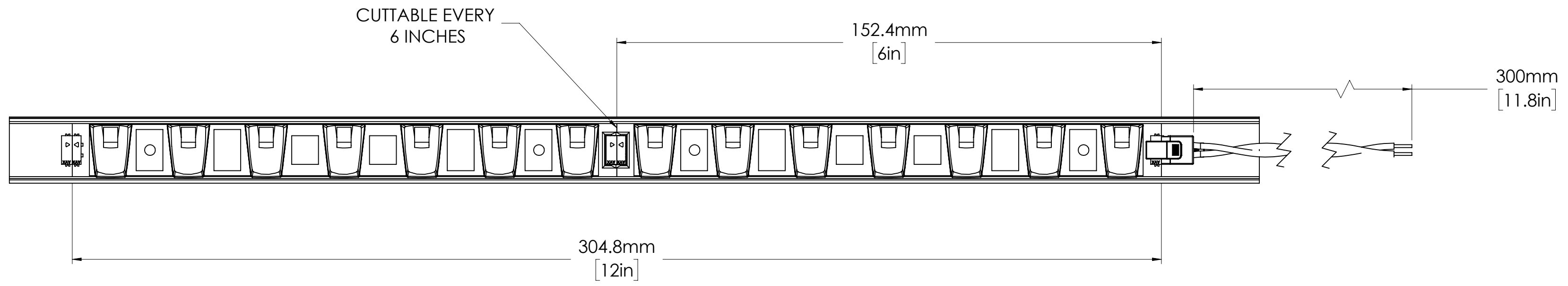
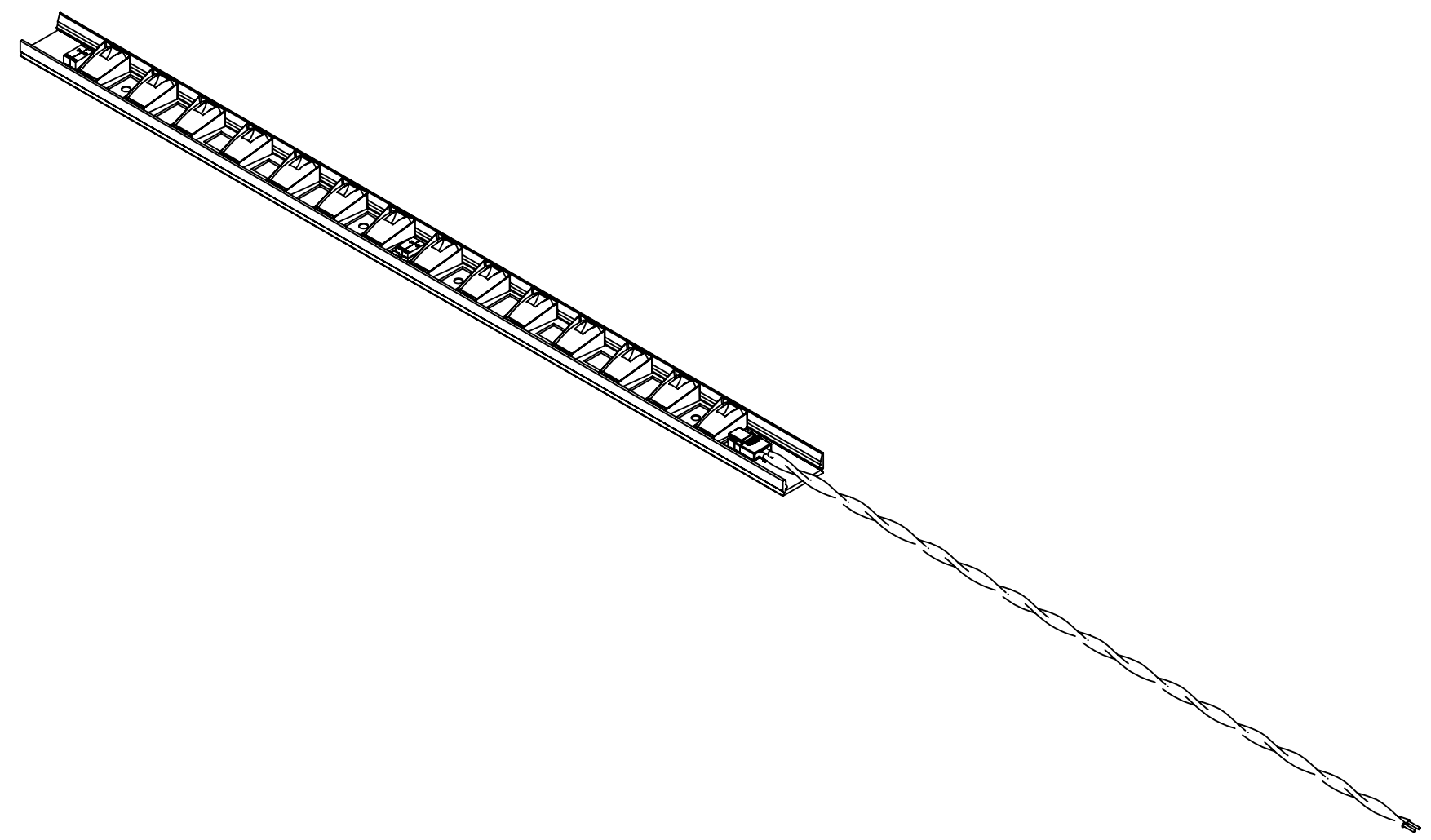
C

B

B

A

A



<p>PROPRIETARY AND CONFIDENTIAL</p> <p>THE INFORMATION CONTAINED IN THIS DRAWING IS THE SOLE PROPERTY OF ECOSENSE LIGHTING, INC. ANY REPRODUCTION IN PART OR AS A WHOLE WITHOUT THE WRITTEN PERMISSION OF ECOSENSE LIGHTING IS PROHIBITED. © 2017 ECOSENSE LIGHTING, INC.</p>	<p>UNLESS OTHERWISE SPECIFIED</p> <p>DIMENSIONS ARE IN MILLIMETERS</p> <p>TOLERANCES PER DIN ISO 2768 T1 CLASS M (MEDIUM)</p> <p>INTERPRET GEOMETRIC TOLERANCING PER: ASME Y14.5</p>	<p>ECOSENSE</p> <p>TITLE: L09 ASYMMETRICAL</p>			
		<p>DRAWN BY: Y. HUANG</p>	<p>DATE DRAWN: 2020-05-18</p>	<p>DRAWING NUMBER: XXX-000000-00</p>	<p>REV: 1</p>
		<p>PROJECT ENGINEER: THIRD ANGLE PROJECTION</p>		<p>SIZE: C</p>	<p>SCALE: 1:1</p>

8

7

6

5

4

3

2

1

8

7

6

5

4

3

2

1

D

D

C

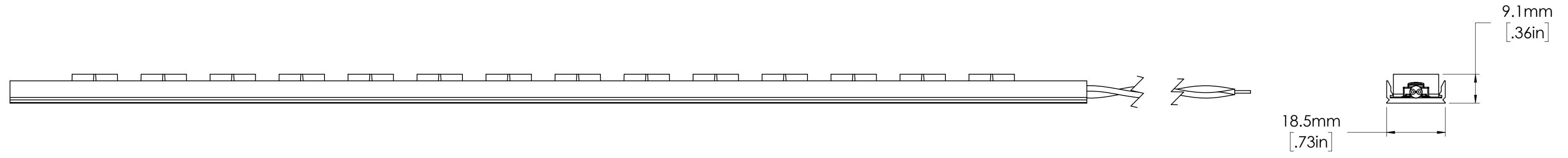
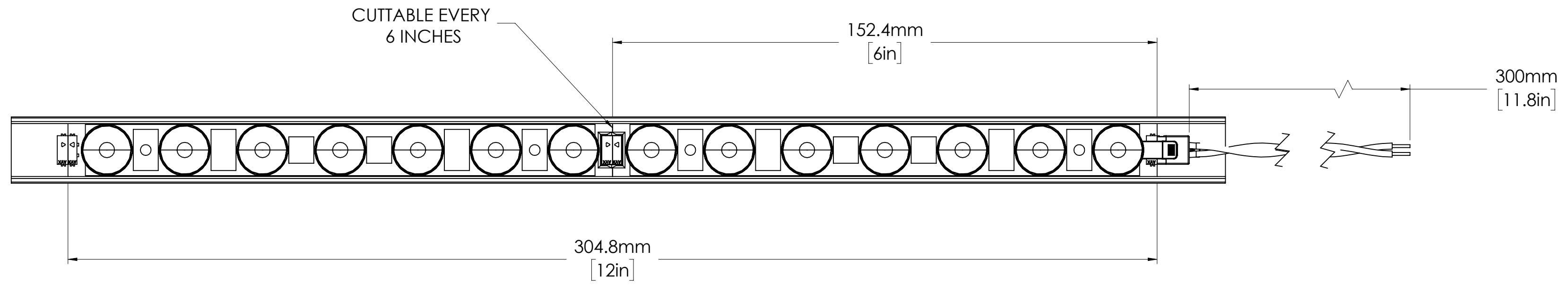
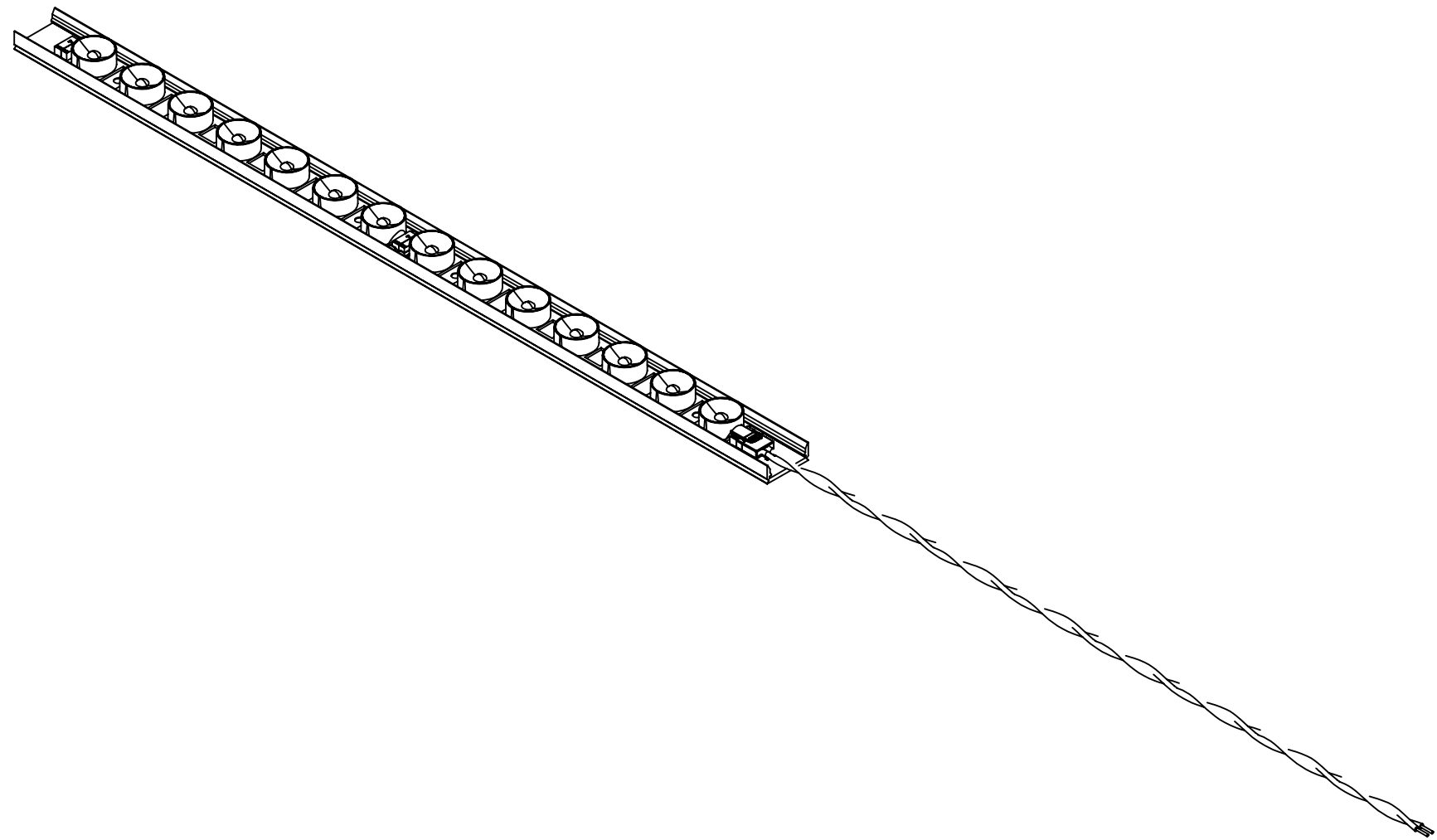
C

B

B

A

A



PROPRIETARY AND CONFIDENTIAL <small>THE INFORMATION CONTAINED IN THIS DRAWING IS THE SOLE PROPERTY OF ECOSENSE LIGHTING, INC. ANY REPRODUCTION IN PART OR AS A WHOLE WITHOUT THE WRITTEN PERMISSION OF ECOSENSE LIGHTING IS PROHIBITED. © 2017 ECOSENSE LIGHTING, INC.</small>	<small>UNLESS OTHERWISE SPECIFIED</small> DIMENSIONS ARE IN MILLIMETERS TOLERANCES PER DIN ISO 2768 T1 CLASS M (MEDIUM) INTERPRET GEOMETRIC TOLERANCING PER: ASME Y14.5	ECOSENSE L09 10X10			
		<small>DRAWN BY</small> Y. HUANG	<small>DATE DRAWN</small> 2020-05-18	<small>DRAWING NUMBER</small> XXX-000000-00	<small>REV</small> 1
		<small>PROJECT ENGINEER</small> THIRD ANGLE PROJECTION		<small>SIZE</small> C	<small>SCALE</small> 1:1

8

7

6

5

4

3

2

1

8

7

6

5

4

3

2

1

D

D

C

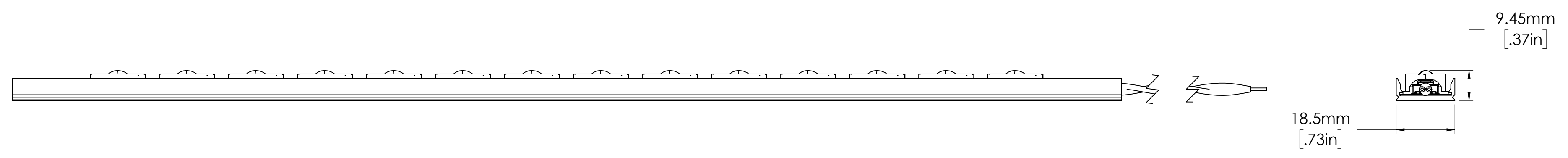
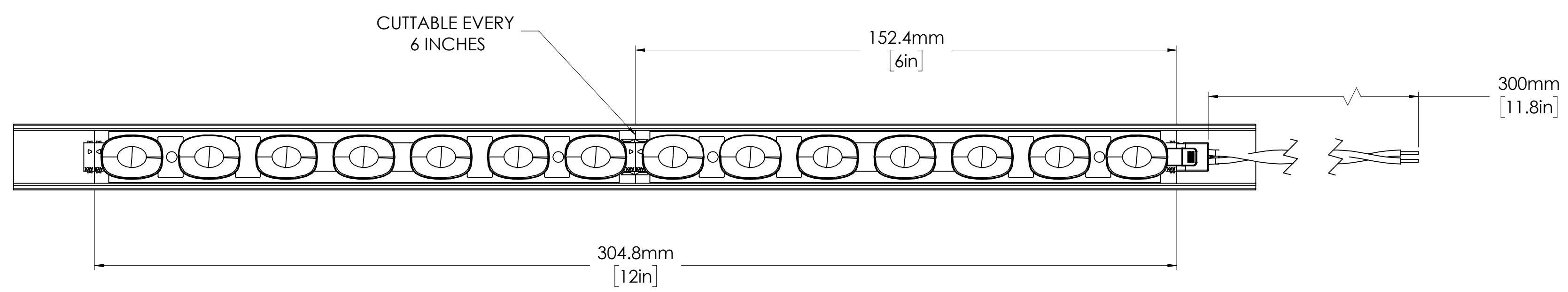
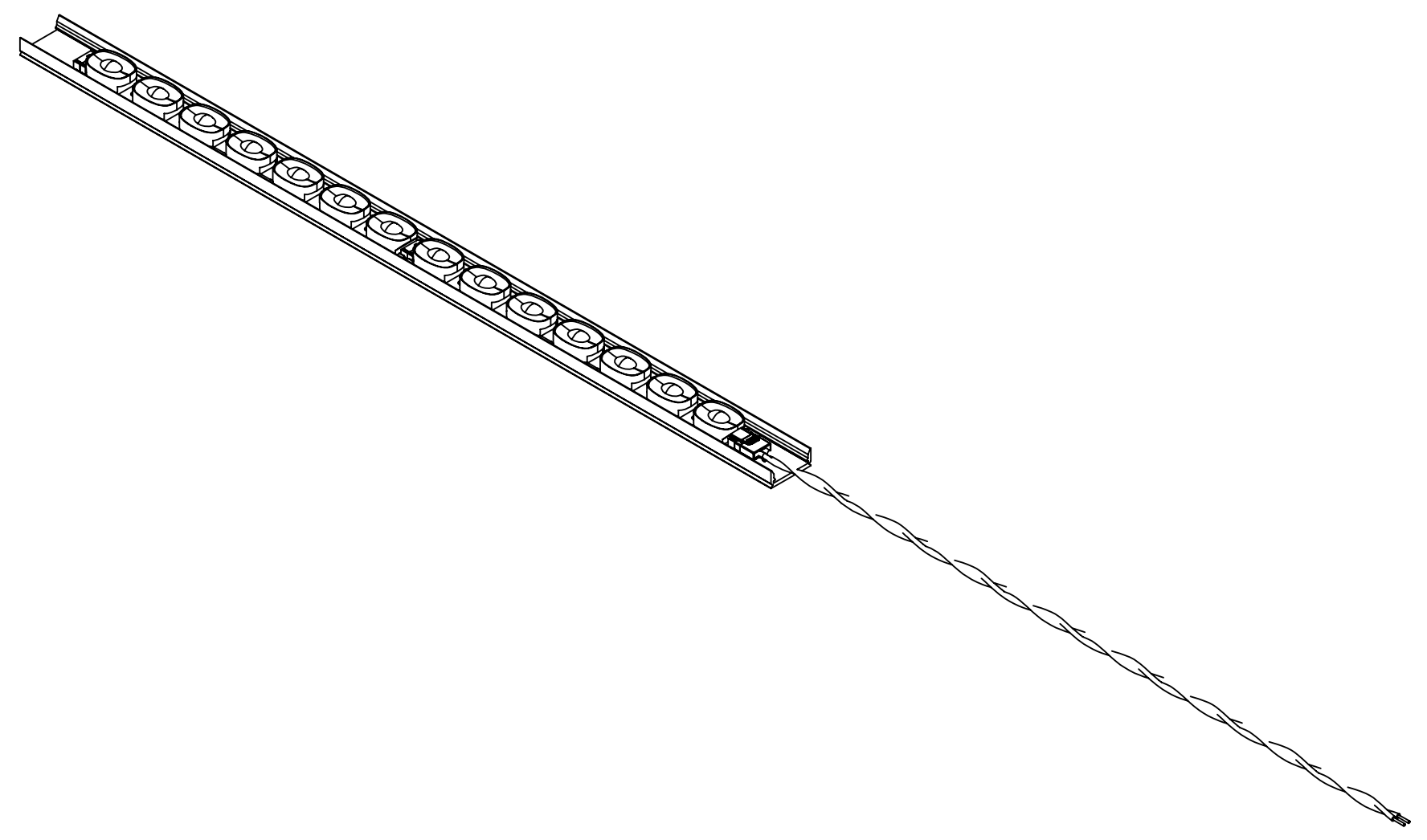
C

B

B

A

A



<p>PROPRIETARY AND CONFIDENTIAL</p> <p>THE INFORMATION CONTAINED IN THIS DRAWING IS THE SOLE PROPERTY OF ECOSENSE LIGHTING, INC. ANY REPRODUCTION IN PART OR AS A WHOLE WITHOUT THE WRITTEN PERMISSION OF ECOSENSE LIGHTING IS PROHIBITED. © 2017 ECOSENSE LIGHTING, INC.</p>	<p>UNLESS OTHERWISE SPECIFIED</p> <p>DIMENSIONS ARE IN MILLIMETERS</p> <p>TOLERANCES PER DIN ISO 2768 T1 CLASS M (MEDIUM)</p> <p>INTERPRET GEOMETRIC TOLERANCING PER: ASME Y14.5</p>	<p>ECOSENSE</p> <p>TITLE: L09 15X40</p>			
		<p>DRAWN BY: Y. HUANG</p>	<p>DATE DRAWN: 2020-05-18</p>	<p>DRAWING NUMBER: XXX-000000-00</p>	<p>REV: 1</p>
		<p>PROJECT ENGINEER: THIRD ANGLE PROJECTION</p>		<p>SIZE: C</p>	<p>SCALE: 1:1</p>

8

7

6

5

4

3

2

1