

DATE	PROJECT	FIRM	TYPE
------	---------	------	------

THE TROV SLIM WIRE BOX IS DESIGNED TO BE USED IN PLACE OF A LEADER CABLE TO FEED POWER AT THE BEGINNING OF A RUN. 1/2" NPT CONDUIT FITTINGS CAN ATTACH DIRECTLY TO THE BOX, AND BUILDING WIRE CAN BE SPLICED INSIDE THE WIRE BOX. USED FOR CERTAIN APPLICATIONS WHERE FLEXIBLE CORDS CANNOT BE USED. THE WIRE BOX ELIMINATES THE NEED FOR FLEXIBLE CORDS.

**FEATURES:**

- COMPLIES WITH UL AND NEC STANDARDS
- WORKS WITH 120V TO 277V
- CHICAGO CCEA APPROVED
- DIVIDER FOR CLASS 2 0-10V WIRING
- END OF RUN TERMINATOR CAP INCLUDED

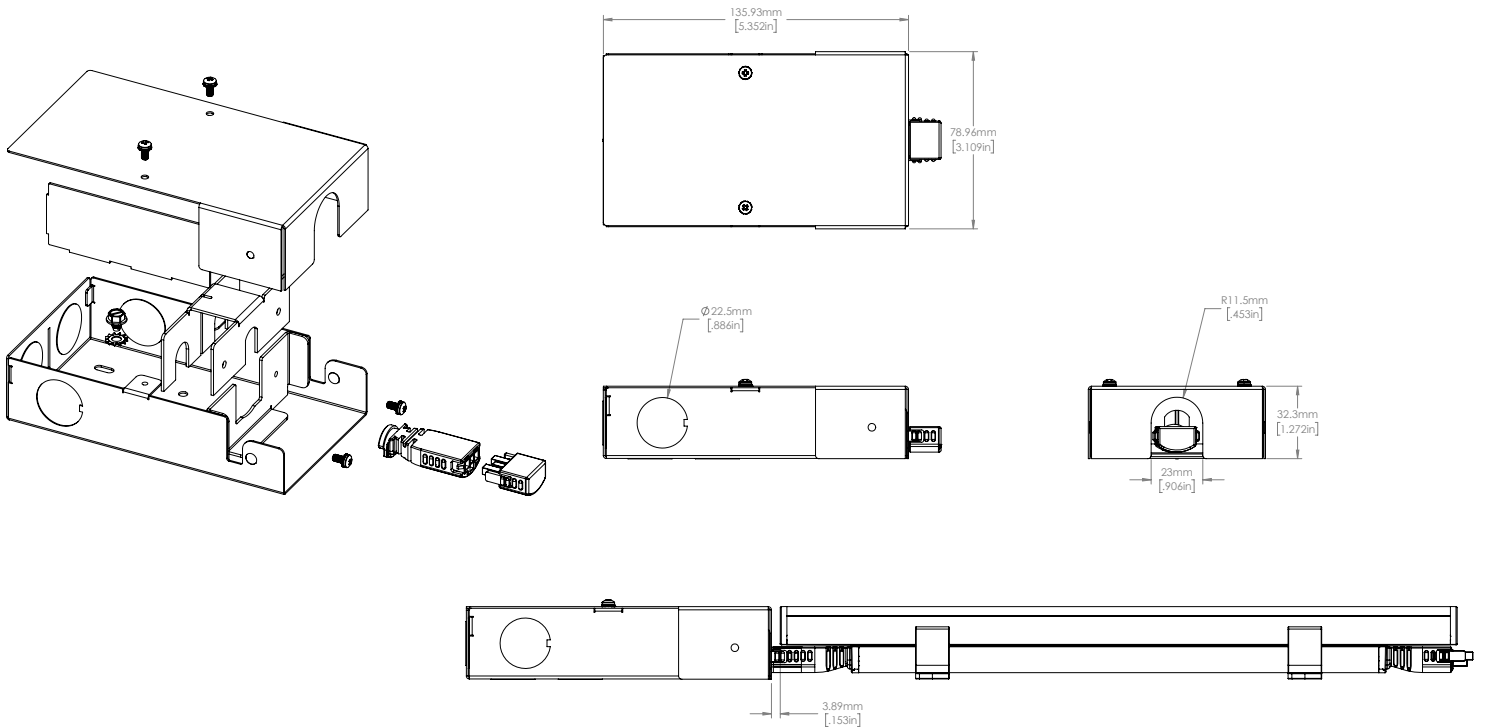


**ELECTRICAL**

**DIMENSIONS  
MATERIAL**

W 3.11" x H1.27" x L 5.35 ; (79mm x 32.3mm x 136mm ) APPROX  
LOW CARBON STEEL, 0.7mm SHEET METAL, POWDER COAT FINISH, COLOR - WHITE

**TROV SLIM WIRE BOX**



**ORDERING**

PART NUMBER	DESCRIPTION
L30-A-WIREBOX	TROV SLIM WIRE BOX, WHITE

**CERTIFICATIONS**      **UL AND CE LISTED  
COMPLIANT**



**LIMITED WARRANTY**      **5 YEARS**