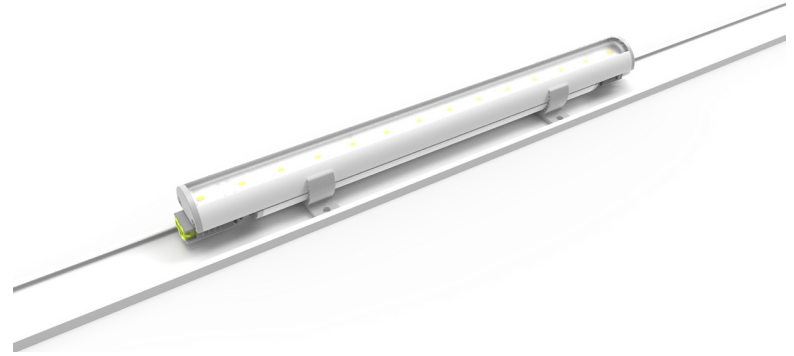


DATE	PROJECT	FIRM	TYPE
------	---------	------	------

TROV SLIM MOUNTING TRACK MAKES INSTALLATION EASIER BY ENSURING FIXTURES ARE INSTALLED IN STRAIGHT RUNS. THE TRACK CAN ALSO BE INSTALLED IN TIGHT SPACES BEFORE CONSTRUCTION IS COMPLETED, ALLOWING THE FIXTURE TO BE SIMPLY SNAPPED INTO PLACE WHEN THERE IS LIMITED SPACE TO WORK WITHIN. AFTER THE TRACK IS INSTALLED, THE MOUNTING CLIPS ARE TWISTED AND LOCKED INTO PLACE. THE FIXTURE CAN THEN BE SNAPPED INTO THE CLIPS FOR A TOOLESS INSTALLATION.

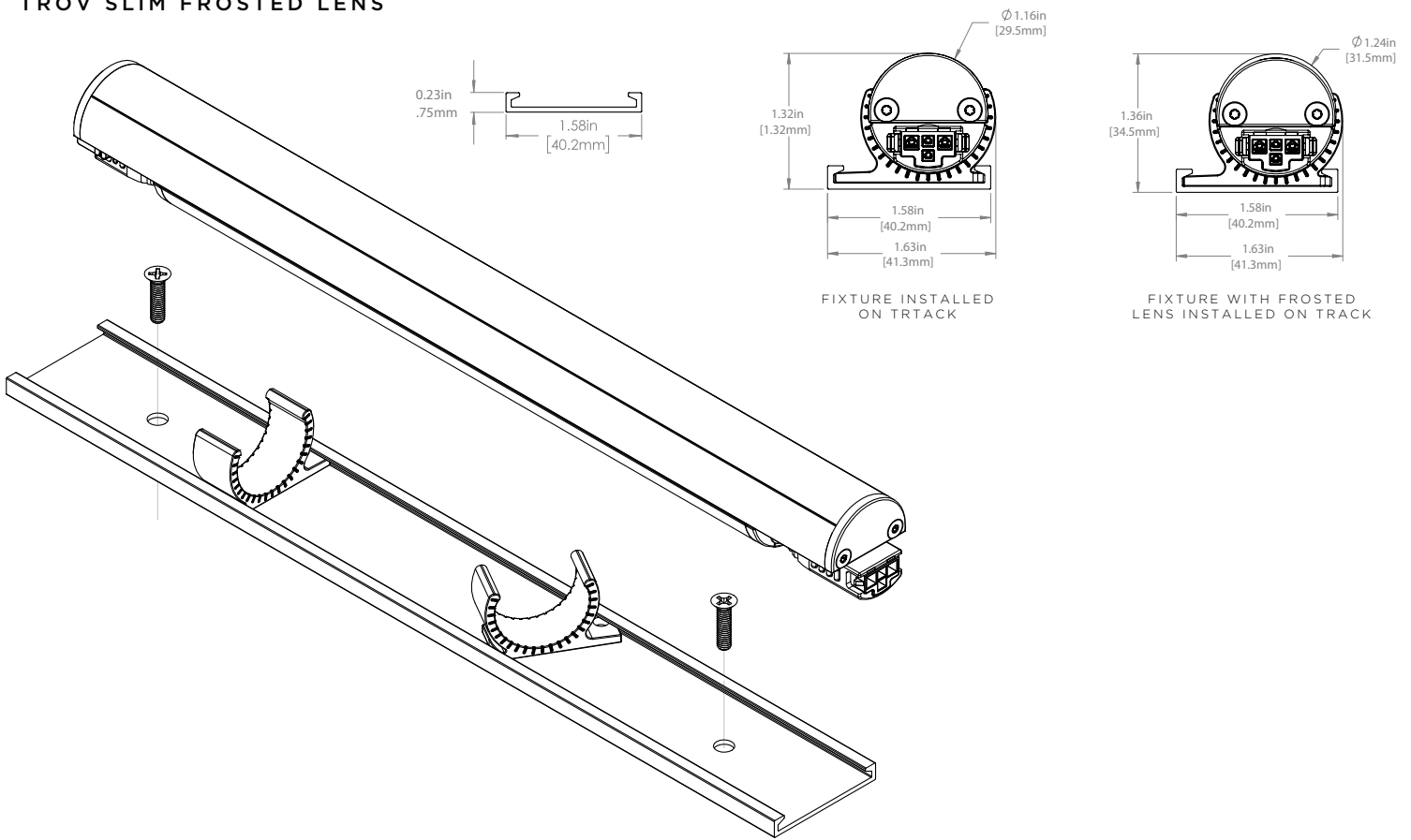
FEATURES:

- 48" LENGTHS ARE FIELD CUTABLE
- TOOLESS FIXTURE INSTALLATION
- PROVIDES A MORE SECURE AND RELIABLE INSTALLATION
- MUST BE USED FOR INVERTED INSTALLATIONS



PHYSICAL	MATERIAL	ABS, WHITE, POLYLAC PA-757
-----------------	-----------------	----------------------------

TROV SLIM FROSTED LENS



ORDERING

PART NUMBER	DESCRIPTION
L30-A-MNT-TRK-48	TROV SLIM, MOUNTING TRACK, 48"

MOUNTING TRACK IS FIELD CUTABLE. IF SHORTER LENGTHS ARE NEEDED ORDER THE 48 INCH TRACK AND CUT IT IN THE FIELD.

LIMITED WARRANTY 5 YEARS



ECOSENSE LIGHTING INC.
 837 NORTH SPRING STREET
 SUITE 103
 LOS ANGELES, CA 90012

P • 310.496.6255
F • 310.496.6256
T • 855.632.6736
 855.6.ECOSEN

SPECIFICATIONS SUBJECT TO CHANGE WITHOUT NOTICE. VISIT ECOSENSELIGHTING.COM FOR THE MOST CURRENT SPECIFICATIONS. FOR A LIST OF PATENTS VISIT ECOSENSELIGHTING.COM/IP-PORTFOLIO/. ©2019 ECOSENSE LIGHTING INC. ALL RIGHTS RESERVED. ECOSENSE, THE ECOSENSE LOGO, TROV, TROV AND ECOSPEC ARE REGISTERED TRADEMARKS OF ECOSENSE LIGHTING INC. RISE™, SLIM COVE™, FREEDOM TO CREATE™, MACRO™, FLIP-TO-FLAT™ ARE TRADEMARKS OF ECOSENSE LIGHTING INC.