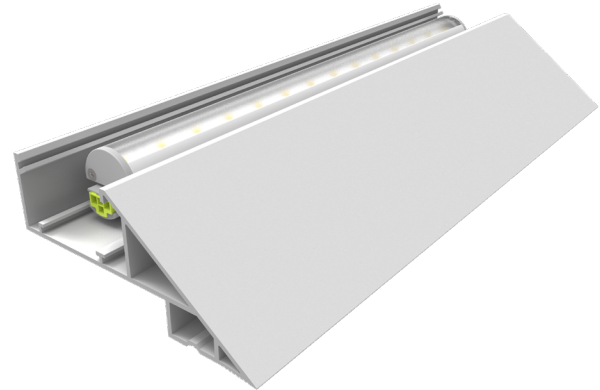


DATE	PROJECT	FIRM	TYPE
------	---------	------	------

KNIFE EDGE COVES ADD A CLEAN, SHARP ARCHITECTURAL FEATURE REPLACING TRADITIONAL FLAT COVE DETAILS. THE EXTRUSION IS FIELD CUTTABLE, HAS INTEGRATED MUD-IN FEATURES, BUILT-IN FIXTURE MOUNTING TRACK, AND IS FINISHED IN PRIMER WHITE MAKING IT SIMPLE AND EASY TO INSTALL. IT CAN BE CONFIGURED IN STRAIGHT, COFFER, AND RAFT COVES.

FEATURES:

- FACTORY CUTTING FROM 1FT-8FT LENGTHS IN 1FT INCREMENTS
- FIELD CUTTABLE
- BUILT-IN FIXTURE MOUNTING TRACK WORKS WITH THE STANDARD FIXTURE MOUNTING CLIP
- COFFER AND RAFT CORNERS
- PRIMER WHITE FINISH



PHYSICAL	MATERIAL FINISH ENVIRONMENT	EXTRUDED ALUMINUM, 6063-T5 POWDER COATING PAINT, RAL 9010
LIMITED WARRANTY	5 YEARS	INDOOR, IP40, UL DAMP LOCATION ONLY

ORDERING

PART NUMBER	DESCRIPTION	QUANTITY
HOUSINGS		
L30-A-KEC-HSG-12	Trov Slim L30, Knife Edge Cove Housing, 12in, White	
L30-A-KEC-HSG-24	Trov Slim L30, Knife Edge Cove Housing, 24in, White	
L30-A-KEC-HSG-36	Trov Slim L30, Knife Edge Cove Housing, 36in, White	
L30-A-KEC-HSG-48	Trov Slim L30, Knife Edge Cove Housing, 48in, White	
L30-A-KEC-HSG-60	Trov Slim L30, Knife Edge Cove Housing, 60in, White	
L30-A-KEC-HSG-72	Trov Slim L30, Knife Edge Cove Housing, 72in, White	
L30-A-KEC-HSG-84	Trov Slim L30, Knife Edge Cove Housing, 84in, White	
L30-A-KEC-HSG-96	Trov Slim L30, Knife Edge Cove Housing, 96in, White	
CORNERS AND HARDWARE		
TROV-A-KEC-HSG-JNR-HWARE	TROV Family, Knife Edge Cove, Joining Hardware, One/Joint	
L30-A-KEC-C90C	Trov Slim L30, Knife Edge Cove Coffe Corner Inside, White	
L30-A-KEC-C90R	Trov Slim L30, Knife Edge Cove Raft Corner Outside, White	
END CAPS		
L30-A-KEC-END-CAPS	TROV Slim L30, Knife Edge Cove, End Cap Set, Left and Right, White	
CUSTOM LENGTHS AND CORNERS		
L30-A-KEC-HSG-CUSTOM	Trov Slim L30, Knife Edge Cove Custom Cut Length	
L30-A-KEC -CORNER-C-CUSTOM	Trov Slim L30, Knife Edge Cove Coffe Inside Custom Corner	
L30-A-KEC -CORNER-R-CUSTOM	Trov Slim L30, Knife Edge Cove Raft Outside Custom Corner	

ORDER NOTES:

- KEC housings are field and factory cuttable. Use a non-ferrous circular saw blade for field cutting. If factory cutting is needed for non-standard lengths, use the custom housing SKU and specify the length needed in 1/8 increments. Factory cutting has longer lead-times and increased pricing. Ask your Ecosense Representative for more details.
- KEC corners are 90° and have 12 inch lengths on each side. Add 12 inches to the overall length calculations for each corner used.
- Custom corner angles can be factory cut and welded. They cannot be cut in the field. Use the custom corner SKUs and specify the angle needed when ordering. Custom corners have longer lead-times and increased pricing. Ask your Ecosense Representative for more details.
- Joining Hardware helps align and keep extrusions together and are highly recommended for joints between two housings or corners. In some sections of an installation, it might not be possible to insert the joining hardware. Use joining hardware when possible, but it is acceptable to leave them out when it is not possible.
- End caps are only needed if the end of the knife edge housing does not terminate into a corner or wall.

DATE	PROJECT	FIRM	TYPE
------	---------	------	------

EXAMPLE CONFIGURATIONS

Coffer Square Cove 15ft x 20ft

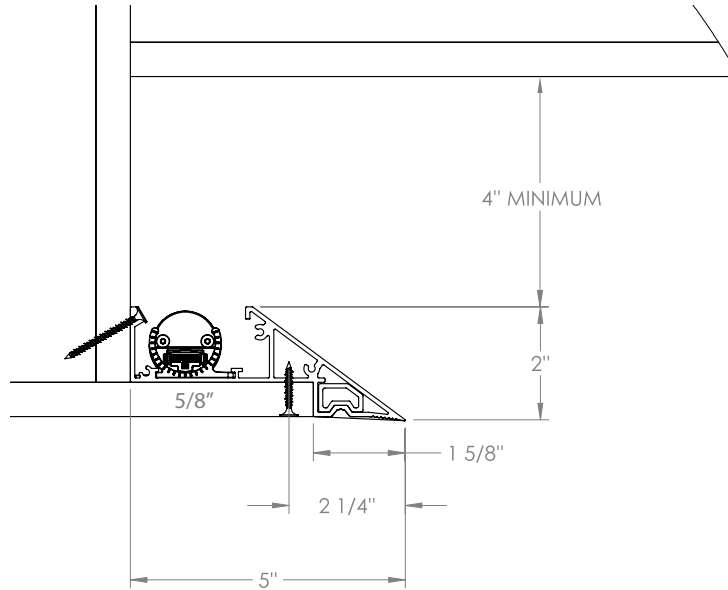
Corners; 4 x L30-A-KEC-C90C
 15ft Walls; Each wall 1 x L30-A-KEC-HSG-96 + 1 x L30-A-KEC-HSG-60
 20ft Walls; Each wall 2 x L30-A-KEC-HSG-96 + 1 x L30-A-KEC-HSG-24
 Joining Hardware; 14 x TROV-A-KEC-HSG-JNR-HWARE

Raft Square Cove 18ft x 30ft

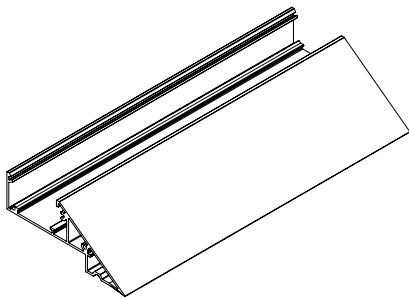
Corners; 4 x L30-A-KEC-C90R
 18ft Walls; Each wall 2 x L30-A-KEC-HSG-96
 30ft Walls; Each wall 3 x L30-A-KEC-HSG-96 + 1 x L30-A-KEC-HSG-48
 Joining Hardware; 16 x TROV-A-KEC-HSG-JNR-HWARE

Straight Cove 20ft

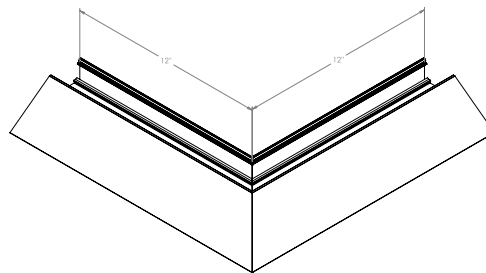
End Caps; 1 x L30-A-KEC-END-CAPs
 20ft Wall; 2 x L30-A-KEC-HSG-96 + 1 x L30-A-KEC-HSG-48
 Joining Hardware; 14 x TROV-A-KEC-HSG-JNR-HWARE



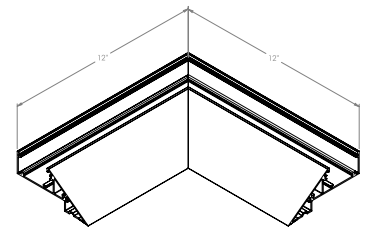
**Housing 12in to 96in Lengths
L30-A-KEC-HSG-(12-96)**



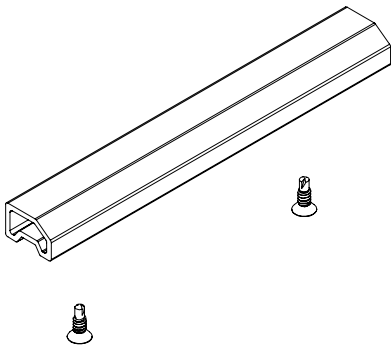
**Raft Corner (Outside)
L30-A-KEC-C90R**



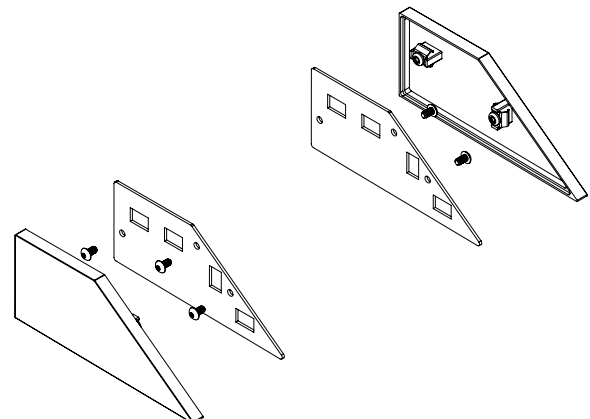
**Coffer Corner (Inside)
L30-A-KEC-C90C**



**Knife Edge Cove Joining Hardware
TROV-A-KEC-HSG-JNR-HWARE**

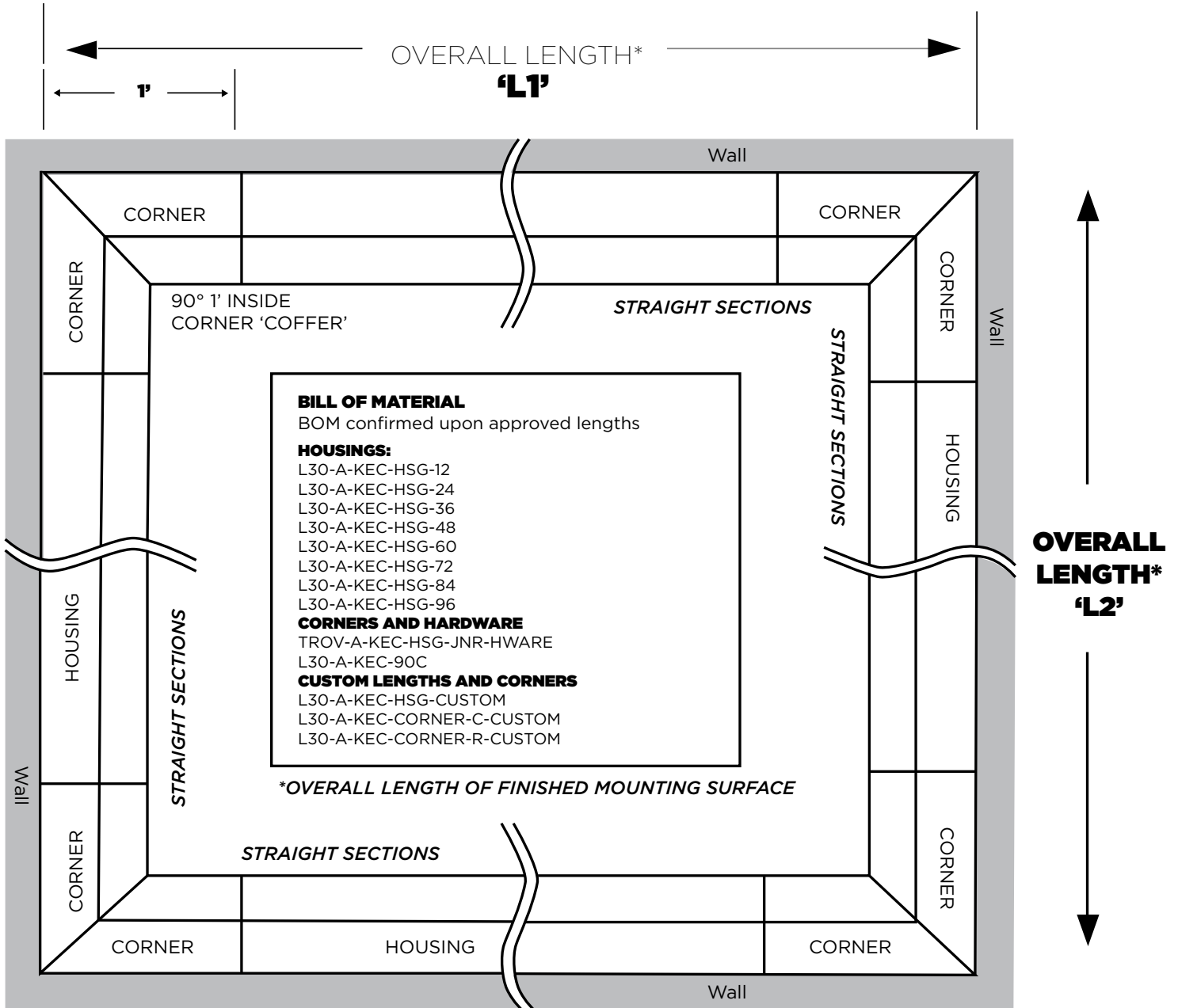


**End Cap Set - Left and Right End Caps
L30-A-KEC-END-CAPS**



DATE	PROJECT	FIRM	TYPE
------	---------	------	------

Coffer (Inside) Corner



DATE	PROJECT	FIRM	TYPE
------	---------	------	------

Raft (Outside) Corner

