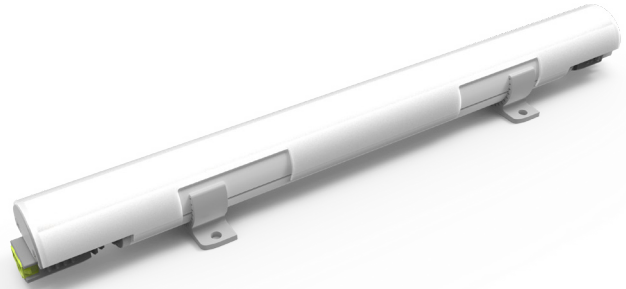


DATE	PROJECT	FIRM	TYPE
------	---------	------	------

THE TROV SLIM FROSTED LENS IS USED TO DIFFUSE LED GLARE FOR APPLICATIONS WHERE THE FIXTURE IS VISIBLE. FROSTED LENSES ARE A SIMPLE SNAP-ON SOLUTION TO REDUCE GLARE AND SOFTEN THE LIGHT.

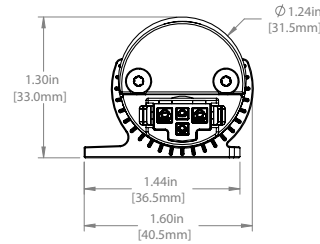
FEATURES:

- 12" AND 48" OPTIONS AVAILABLE
- 20% DIFFUSION
- EASY SNAP ON. NO TOOLS REQUIRED.
- CAN BE INSTALLED AFTER FIXTURE INSTALLATION
- 2" WIDE CLIP CUT OUTS MAKE INSTALLATION EASIER
- 2 MOUNTING CLIP CUT OUTS PER 12", 4 CUT OUTS PER 48"

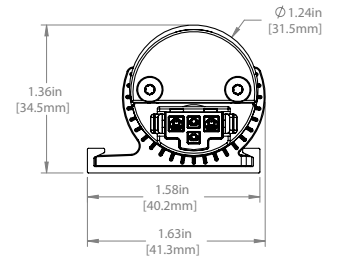


PHYSICAL	MATERIAL	POLYCARBONATE, TRANSLUCENT WHITE, SABIC PC1003R
----------	----------	---

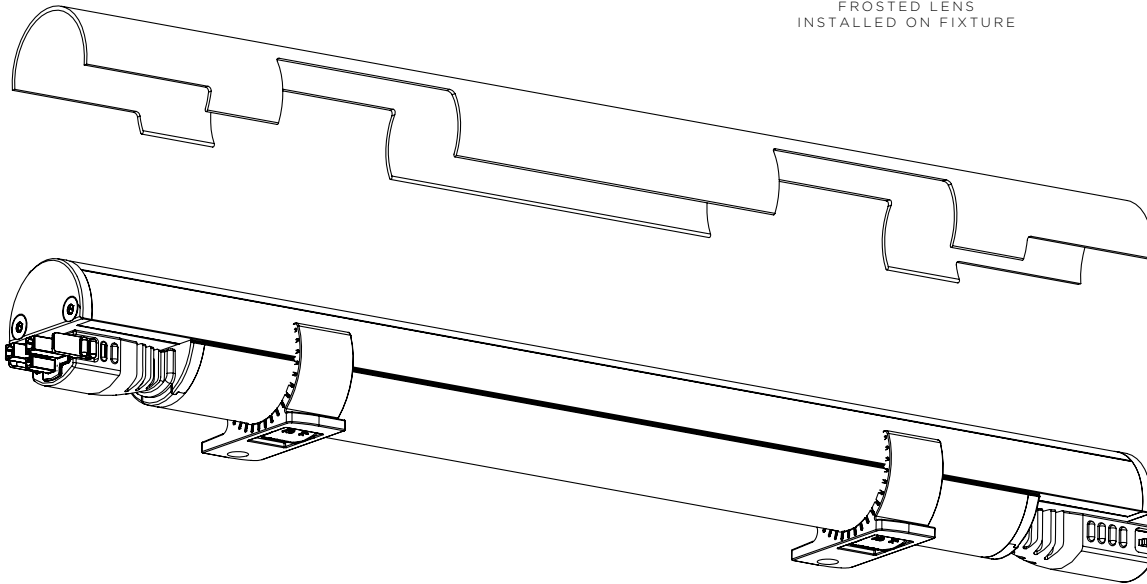
TROV SLIM FROSTED LENS



FROSTED LENS
INSTALLED ON FIXTURE



FROSTED LENS
INSTALLED ON FIXTURE
WITH MOUNTING TRACK



ORDERING

PART NUMBER	DESCRIPTION
L30-A-FRLS-12	TROV SLIM,SNAP ON FROSTED LENS, 12"
L30-A-FRLS-48	TROV SLIM,SNAP ON FROSTED LENS, 48"

LIMITED WARRANTY 5 YEARS