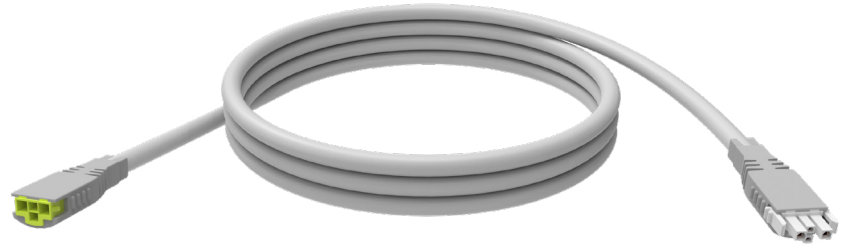


DATE	PROJECT	FIRM	TYPE
------	---------	------	------

TROV SLIM CABLES PROVIDE ELECTRICAL CONNECTIONS FROM FIXTURE TO FIXTURE, AND BETWEEN THE FIXTURE AND BUILDING WIRE. THEY CARRY MAINS VOLTAGE FROM 120-277V AND A SINGLE 0-10V CONTROL SIGNAL. ONE LEADER CABLE IS NEEDED PER RUN. JUMPER CABLES CAN BE USED FOR CURVED APPLICATIONS, TO ROUND CORNERS, OR PROVIDE GAPS IN THE RUN WHERE FIXTURES ARE NOT NEEDED.

FEATURES:

- 10FT LEADER CABLES INCLUDE END OF RUN TERMINATOR CAP
- 50FT JUMPER CAN BE CUT TO CREATE A 50FT LEADER CABLE. ORDER TERMINATOR CAP SEPERATLY
- TWO LINE VOLTAGE AND TWO 0-10V CONDUCTORS
- Y-SPLITTER ALLOWS ONE LEADER CABLE TO POWER TWO RUNS OR SPLITE ONE RUN INTO TWO. TERMINATOR CAP INCLUDED
- UL AND IEC LISTED
- NOT PLENUM RATED

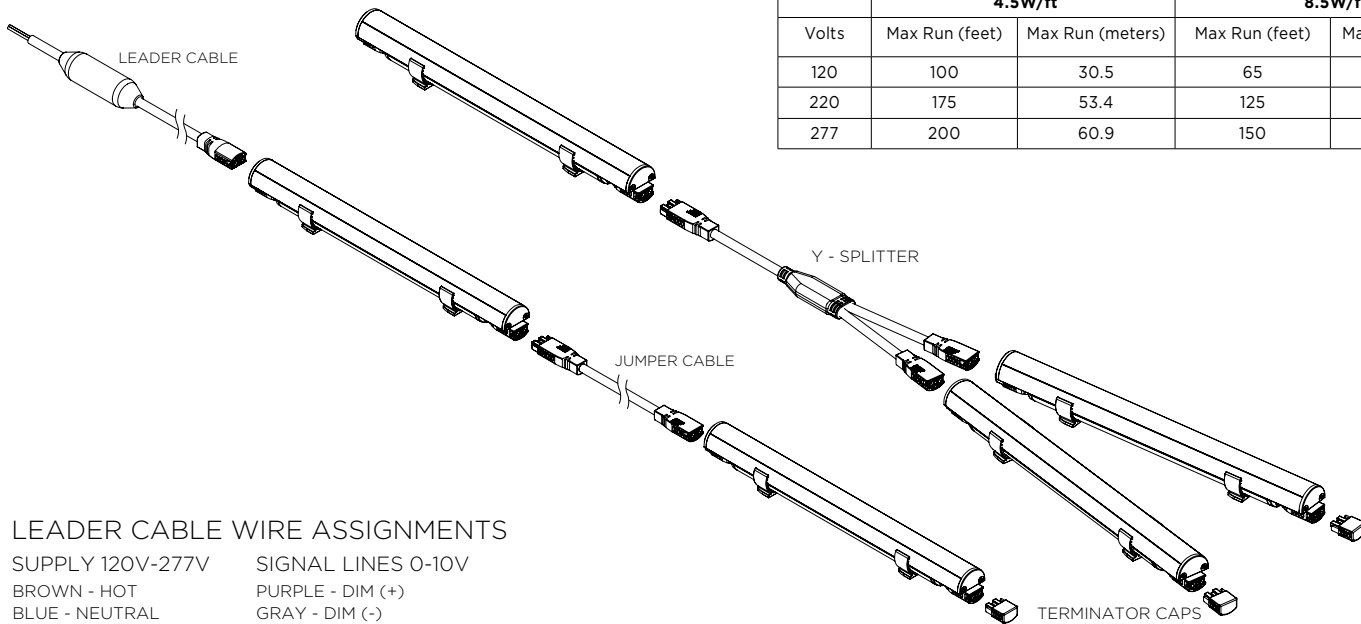


PHYSICAL	MATERIAL	2X 16 AWM, 2X 20 AWM STYLE 2586 CABLE 105C, 600V
-----------------	-----------------	--

TROV SLIM CABLES

MAX FIXTURE RUN LENGTH PER LEADER CABLE

Volts	4.5W/ft		8.5W/ft	
	Max Run (feet)	Max Run (meters)	Max Run (feet)	Max Run (meters)
120	100	30.5	65	19.8
220	175	53.4	125	38.1
277	200	60.9	150	45.7



LEADER CABLE WIRE ASSIGNMENTS

- | | |
|------------------|--------------------|
| SUPPLY 120V-277V | SIGNAL LINES 0-10V |
| BROWN - HOT | PURPLE - DIM (+) |
| BLUE - NEUTRAL | GRAY - DIM (-) |

ORDERING

PART NUMBER

- CBL-4P-LWH-LDR-UNV-10
- CBL-4P-LWH-JMP-UNV-50
- CBL-4P-LWH-JMP-UNV-5
- CBL-4P-LWH-JMP-UNV-1
- CBL-4P-LWH-JMP-UNV-03
- CBL-4P-LWH-Y-UNV
- CBL-4P-LWH-CAP-UNV

DESCRIPTION

- TROV SLIM, 4-WIRE, LEADER CABLE & TERMINATOR CAP, 120-277V, 10FT
- TROV SLIM, 4-WIRE, JUMPER CABLE, 120-277V, 50FT
- TROV SLIM, 4-WIRE, JUMPER CABLE, 120-277V, 5FT
- TROV SLIM, 4-WIRE, JUMPER CABLE, 120-277V, 1FT
- TROV SLIM, 4-WIRE, JUMPER CABLE, 120-277V, 3IN
- TROV SLIM, 4-WIRE, Y-SPLITTER & TERMINATOR CAP, 120-277V
- TROV SLIM, 4-WIRE, TERMINATOR CAP, 120-277V

LIMITED WARRANTY 5 YEARS



ECOSENSE LIGHTING INC.
837 NORTH SPRING STREET
SUITE 103
LOS ANGELES, CA 90012

P • 310.496.6255
F • 310.496.6256
T • 855.632.6736
855.6.ECOSEN

SPECIFICATIONS SUBJECT TO CHANGE WITHOUT NOTICE. VISIT ECOSENSELIGHTING.COM FOR THE MOST CURRENT SPECIFICATIONS. FOR A LIST OF PATENTS VISIT ECOSENSELIGHTING.COM/IP-PORTFOLIO/. ©2019 ECOSENSE LIGHTING INC. ALL RIGHTS RESERVED. ECOSENSE, THE ECOSENSE LOGO, TROV, TROV AND ECOSPEC ARE REGISTERED TRADEMARKS OF ECOSENSE LIGHTING INC. RISE™, SLIM COVE™, FREEDOM TO CREATE™, MACRO™, FLIP-TO-FLAT™ ARE TRADEMARKS OF ECOSENSE LIGHTING INC.