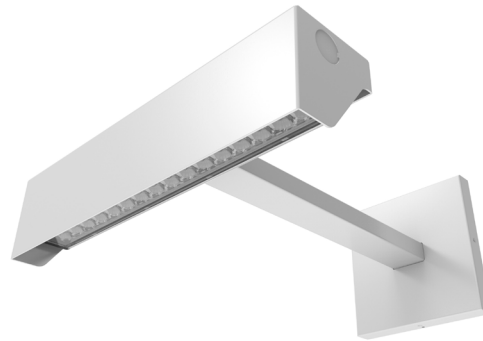


DATE	PROJECT	FIRM	TYPE
------	---------	------	------

TROV SINGLE MOUNTING PLATES ARE USED TO HOLD ONE 12" FIXTURE WITH ONE ARM. THEY ARE IDEAL FOR INDIVIDUALLY MOUNTING 12" FIXTURES OR FOR JOINING 12" FIXTURES ALONG A CURVED WALL. THEY ALLOW FOR INDIVIDUAL POWER CONNECTIONS TO A JUNCTION BOX FOR EACH FIXTURE. A PASS THROUGH HOLE CAN BE DRILLED IN THE SIDE FOR CONTINUOUS POWER CONNECTIONS.

FEATURES :

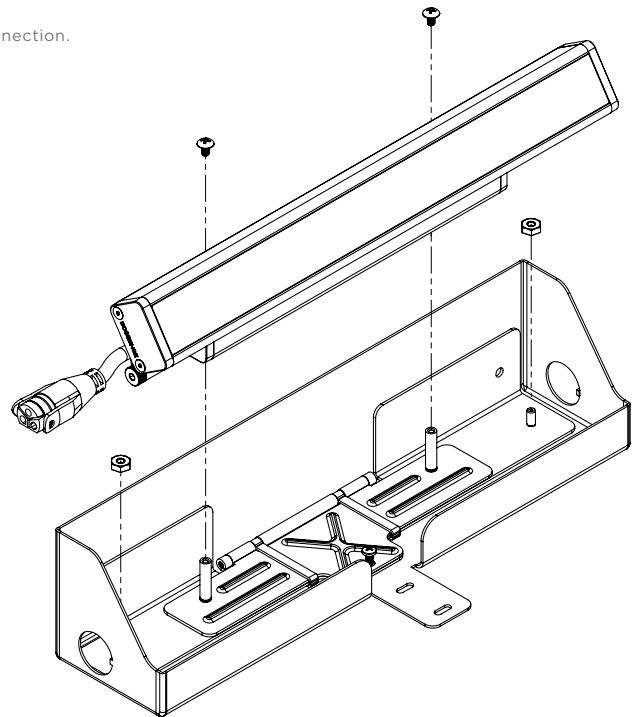
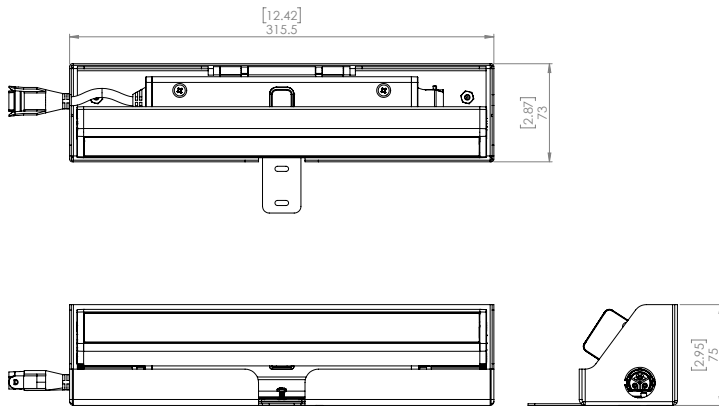
- COMPATIBLE WITH L35 AND L50 SERIES FIXTURES
- AVAILABLE IN 6", 12", 18" AND 24" LENGTHS
- MOUNTS TO ALL COMMON JUNCTION BOXES
- NO VISIBLE MOUNTING HARDWARE OR LEADER CABLE



PHYSICAL	DIMENSIONS	MATERIAL
	W 12.42" x H 2.87" x L 2.95" ; (315.5mm x 73mm x 75mm)	ARMS AND CANOPY: PAINTED SILVER

SINGLE WALL MOUNT ARM FOR L35 AND L50

For continuous end-to-end row mounting, order one jumper cable, CBL-3P-L-UNV-01, per connection.



ORDERING

PART NUMBER	DESCRIPTION
WMA-L-CA-06	6 INCH WALL MOUNT ARM
WMA-L-CA-12	12 INCH WALL MOUNT ARM
WMA-L-CA-18	18 INCH WALL MOUNT ARM
WMA-L-CA-24	24 INCH WALL MOUNT ARM
WMA-L-SINGLE*	WALL MOUNT ARM SINGLE PLATE

*ONE MNT-L-LFAB IS REQUIRED PER SINGLE PLATE AND IS INCLUDED WITH IT.

LIMITED WARRANTY 5 YEARS

ECOSENSE LIGHTING INC.
837 NORTH SPRING STREET
SUITE 103
LOS ANGELES, CA 90012

P • 310.496.6255
F • 310.496.6256
T • 855.632.6736
855.6.ECOSEN

SPECIFICATIONS SUBJECT TO CHANGE WITHOUT NOTICE. VISIT ECOSENSELIGHTING.COM FOR THE MOST CURRENT SPECIFICATIONS.
© 2017 ECOSENSE LIGHTING INC. ALL RIGHTS RESERVED. ECOSENSE, THE ECOSENSE LOGO, RISE, TROV, SLIM COVE AND ECOSPEC ARE REGISTERED TRADEMARKS OF ECOSENSE LIGHTING INC.
FREEDOM TO CREATE™

ECOSENSELIGHTING.COM

1/1