



EcoSense Lighting Fixtures must be installed by a qualified electrician. EcoSense Lighting, Inc. is not responsible if its fixtures are not installed in accordance with all national and local safety standards.

INCLUDED / Incluido

Mounting Track With Mounting Track Clip Installation Guide

NOTE

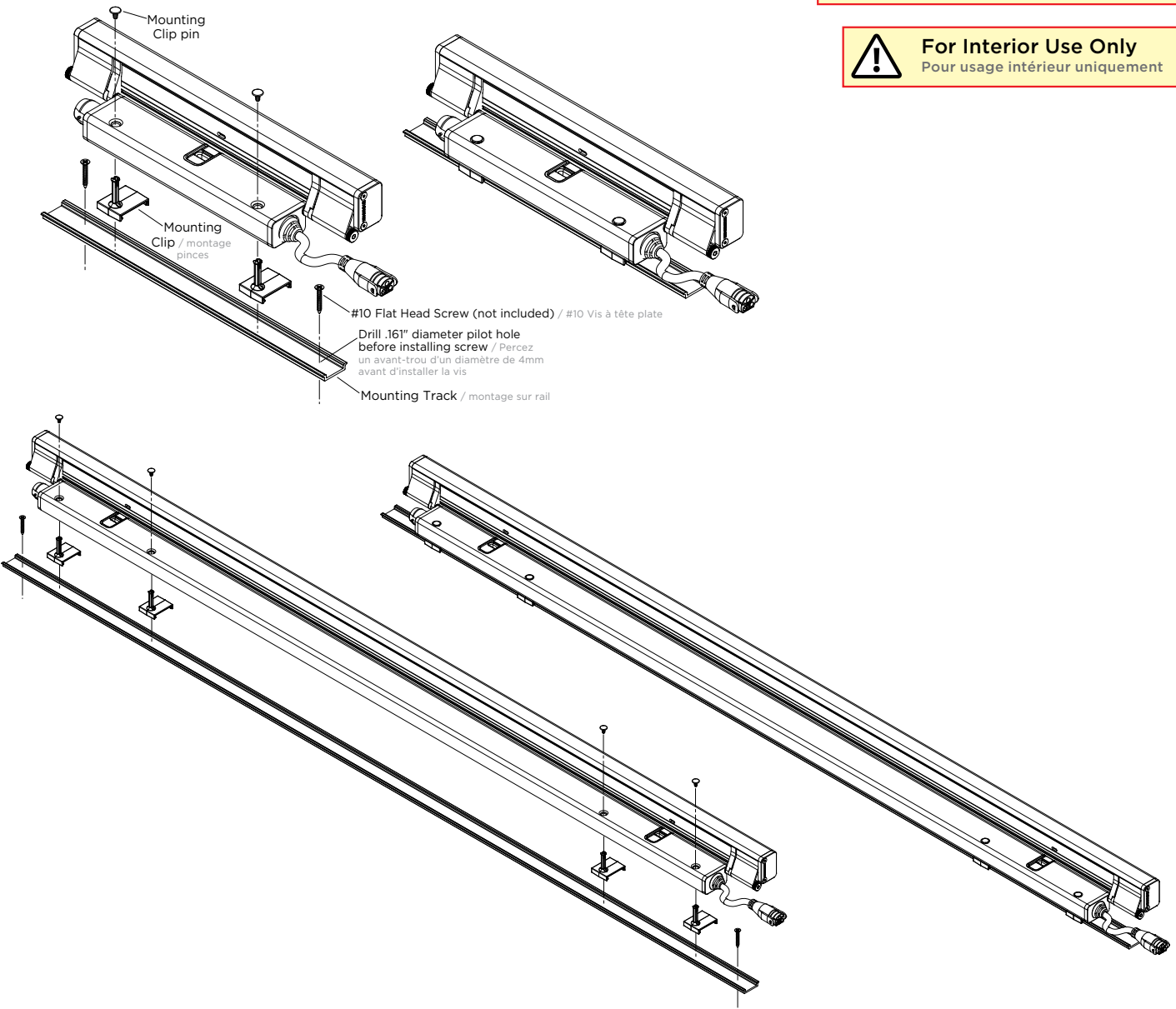
- Two mounting clips required for 1ft fixture and four mounting clips required for 4ft fixture. Mounting clips and track work the same for L35 and L50.

INSTALL THE FIXTURES

Step 1: Insert mounting clip into fixture mounting holes. Then push mounting clip pin into the clip to lock it in place.

Step 2: Screw mounting track to surface.

Step 3: Snap clip with fixture attached to the track.



Ensure power is OFF
Asegúrese de que la electricidad esté DESCONECTADA

For Interior Use Only
Pour usage intérieur uniquement