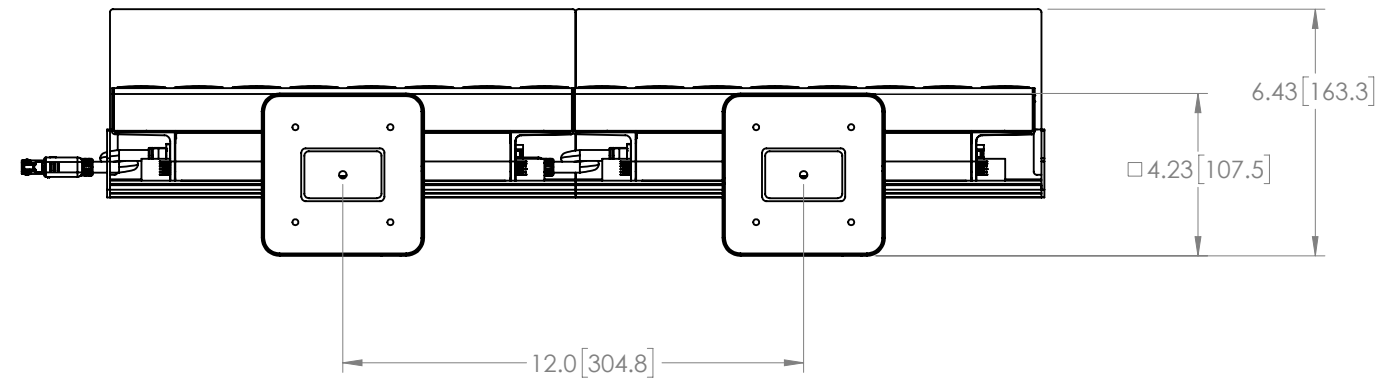
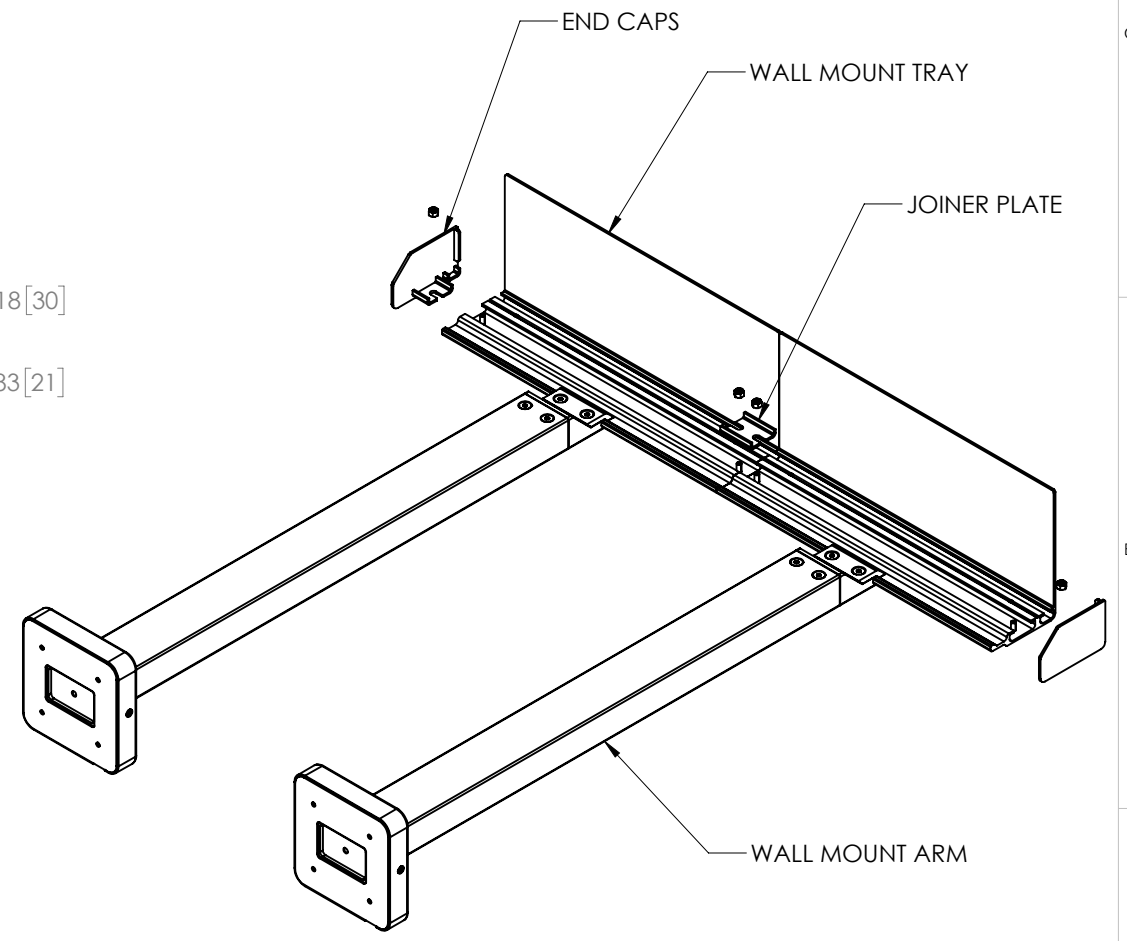
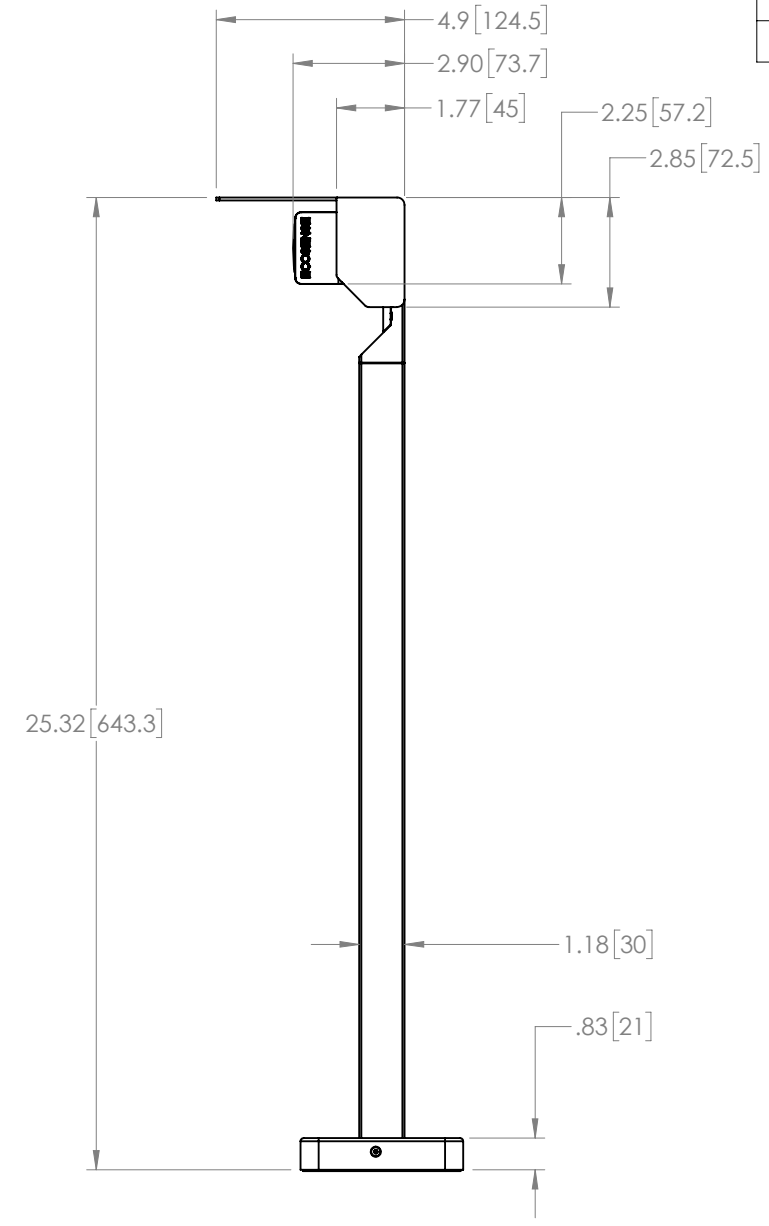
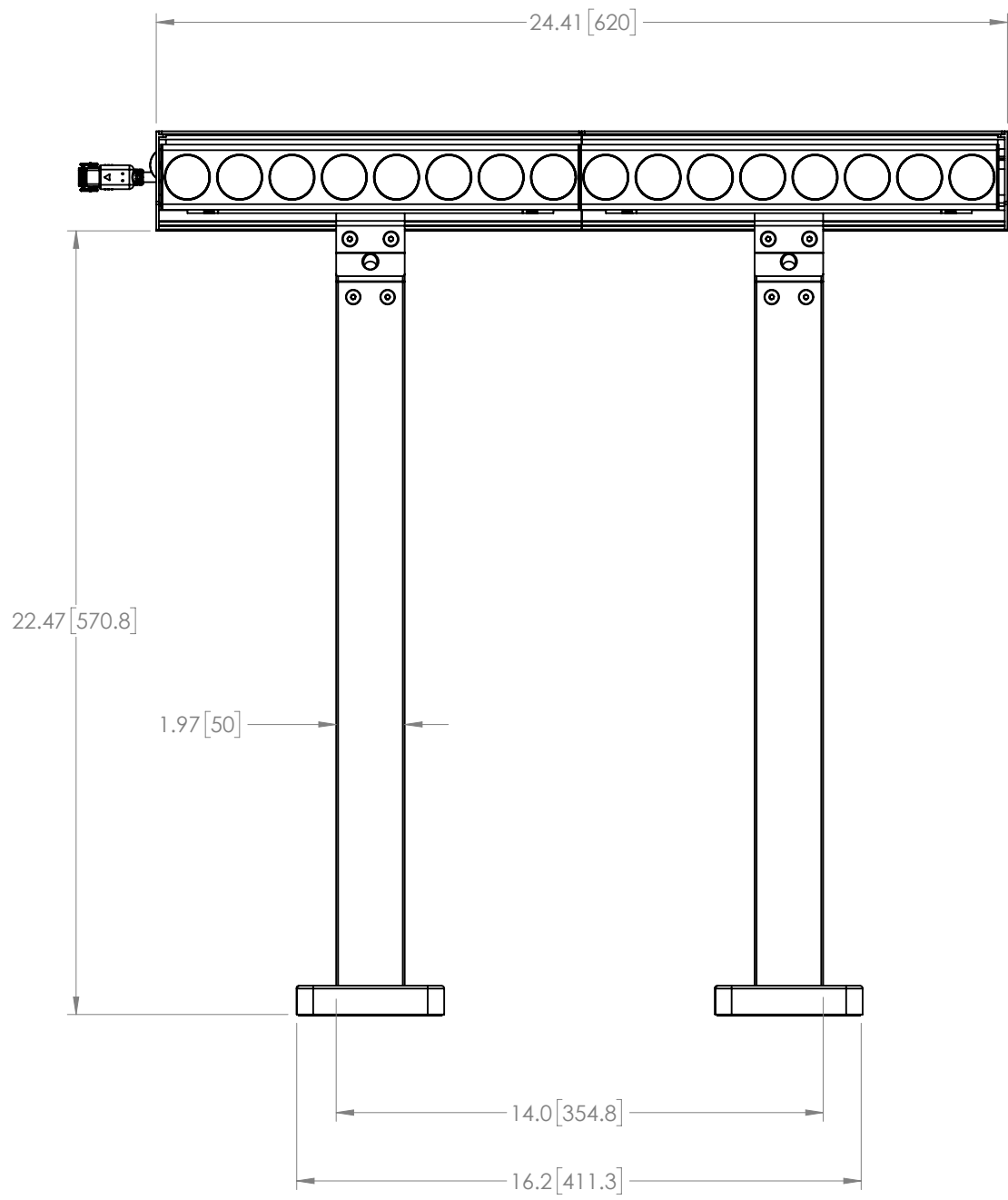


REVISIONS			
REV	DESCRIPTION	DATE	APPROVED
A	INITIAL RELEASE	05/12/2023	D.MA



PROPRIETARY AND CONFIDENTIAL

UNLESS OTHERWISE SPECIFIED

DIMENSIONS ARE IN INCHES WITH [mm] IN PARENTHESIS

TOLERANCES PER TABLE 1

INTERPRET GEOMETRIC TOLERANCING PER: ASME Y14.5

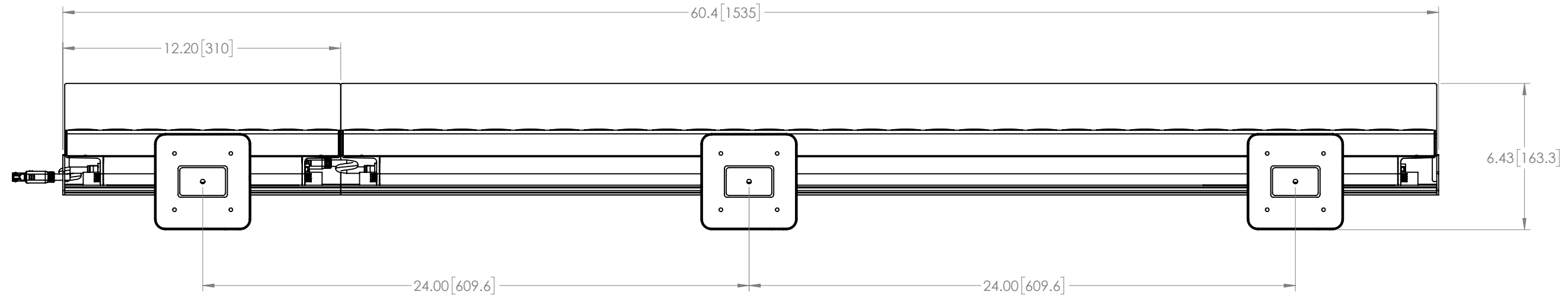
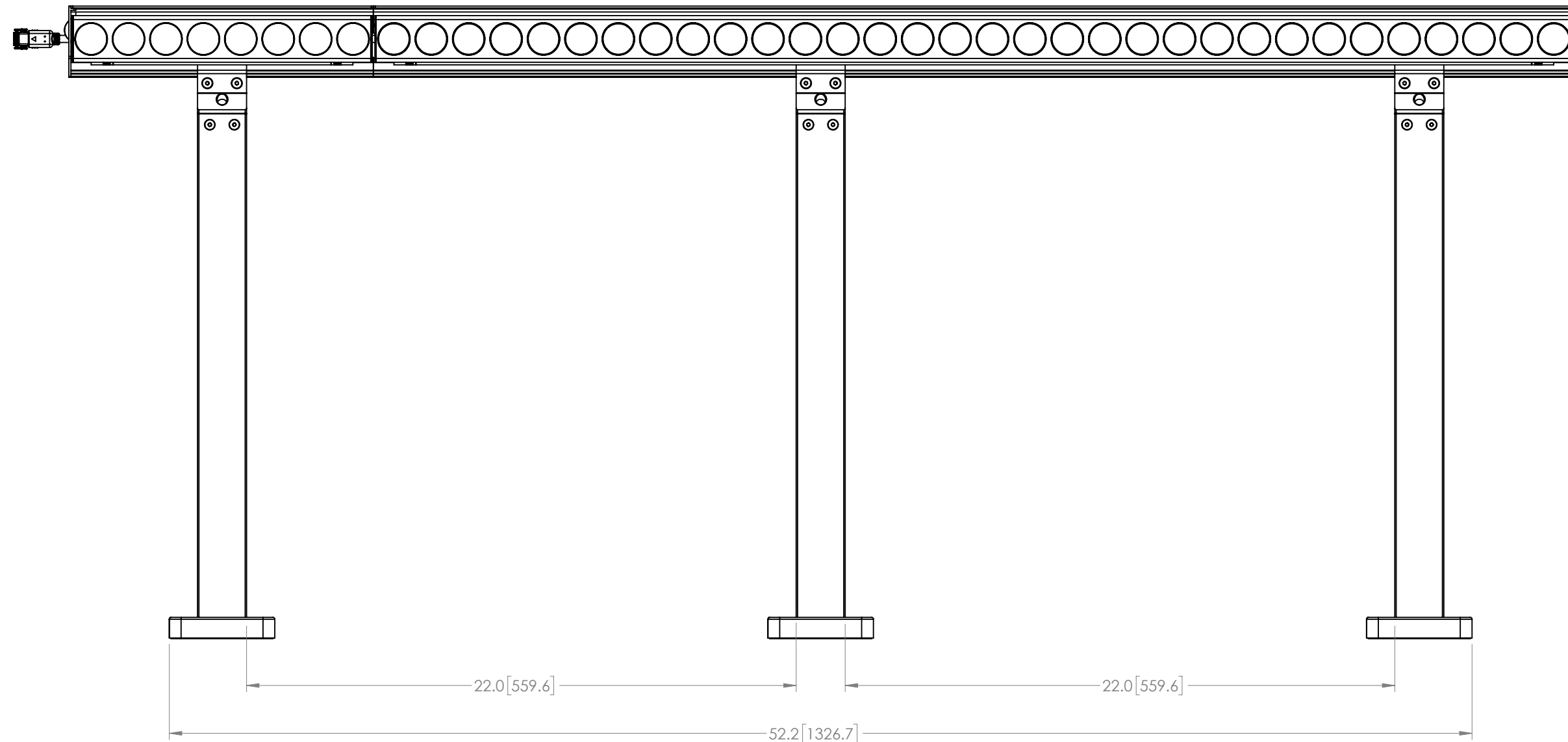
© 2021 ECOSENSE LIGHTING, LLC.

ECOSENSE

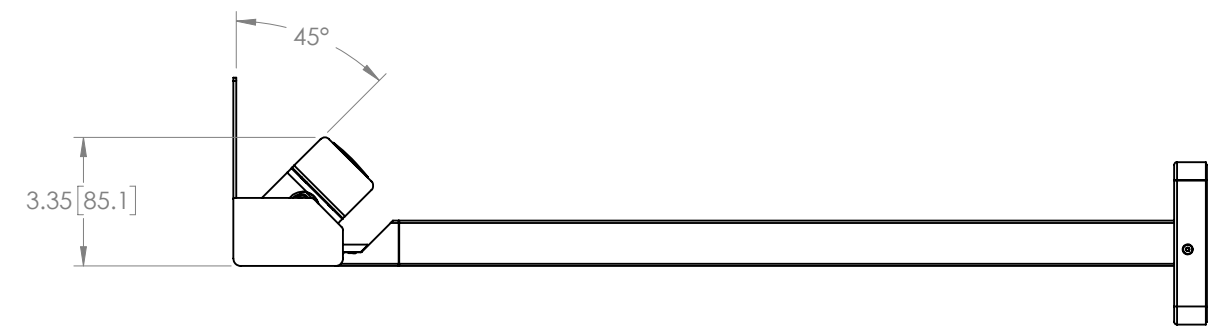
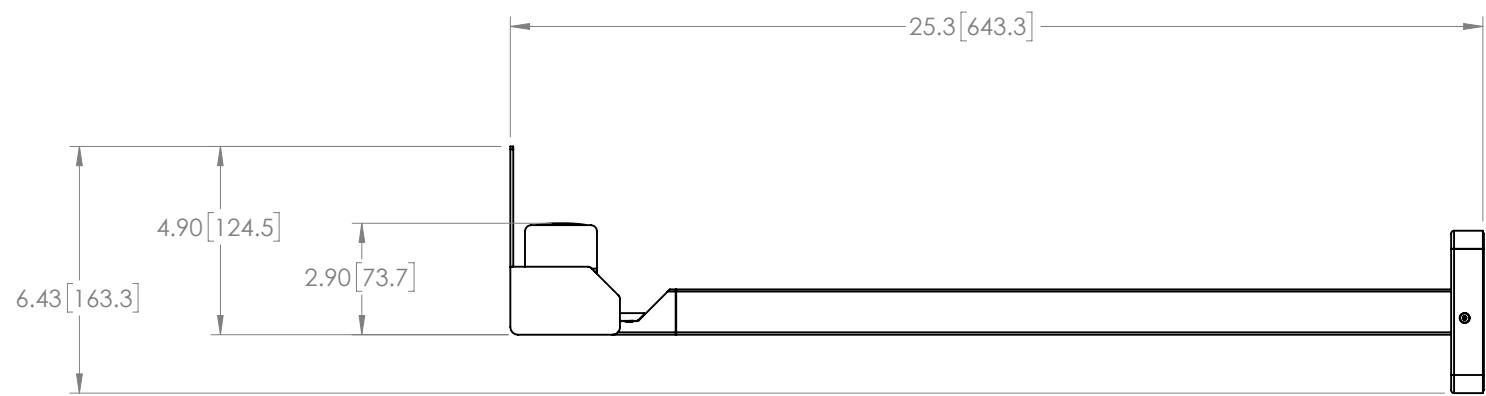
TITLE: TROV L45 L60, WALL MOUNT ASSM

DRAWN BY D.MA	DATE DRAWN 12/6/2022	DRAWING NUMBER L45L60-A-WMA-XX-XX-X	REV A
PROJECT ENGINEER D.MA	THIRD ANGLE PROJECTION	SIZE B	SCALE 1:5

SHEET 1 OF 3



TITLE				TROV L45 L60, WALL MOUNT ASSM		
© 2017 ECOSENSE LIGHTING, INC.		DRAWING NUMBER		REV		
L45L60-A-WMA-XX-XX-X		L45L60-A-WMA-XX-XX-X		A		
PROPRIETARY AND CONFIDENTIAL	THIRD ANGLE PROJECTION	SIZE	SCALE	SHEET		
		B	1:5	2 OF 3		



TITLE		TROV L45 L60, WALL MOUNT ASSM		
© 2017 ECOSENSE LIGHTING, INC.	DRAWING NUMBER	L45L60-A-WMA-XX-XX-X	REV	A
PROPRIETARY AND CONFIDENTIAL	THIRD ANGLE PROJECTION		SIZE	SCALE
			B	1:5
			SHEET	3 OF 3