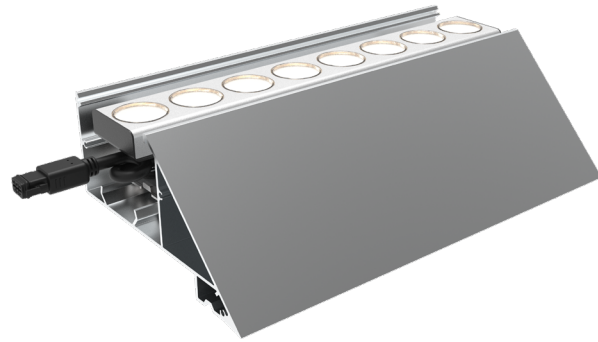


DATE	PROJECT	FIRM	TYPE
------	---------	------	------

KNIFE EDGE COVES ADD A CLEAN, SHARP ARCHITECTURAL FEATURE REPLACING TRADITIONAL FLAT COVE DETAILS. THE EXTRUSION IS FIELD CUTTABLE, HAS INTEGRATED MUD-IN FEATURES, BUILT-IN FIXTURE MOUNTING TRACK, AND IS FINISHED IN PRIMER WHITE MAKING IT SIMPLE AND EASY TO INSTALL. IT CAN BE CONFIGURED IN STRAIGHT, COFFER, AND RAFT COVES.

**FEATURES:**

- FACTORY CUTTING FROM 1FT-8FT LENGTHS IN 1FT INCREMENTS
- FIELD CUTTABLE
- BUILT-IN FIXTURE MOUNTING TRACK WORKS WITH MOUNTING CLIPS
- COFFER AND RAFT CORNERS
- PRIMER WHITE FINISH



<b>PHYSICAL</b>	<b>MATERIAL</b>	EXTRUDED ALUMINUM 6063-T5
	<b>FINISH</b>	POWDER COATING PAIN, RAL 9010
	<b>ENVIRONMENT</b>	INDOOR, IP40, UL DAMP LOCATION ONLY
<b>LIMITED WARRANTY</b>	<b>5 YEARS</b>	

**ORDERING**

**PART NUMBER**

**DESCRIPTION**

**HOUSINGS**

L45-A-KEC-HSG-12	TROV FLEX L45, KNIFE EDGE COVE HOUSING, 12IN, WHITE
L45-A-KEC-HSG-24	TROV FLEX L45, KNIFE EDGE COVE HOUSING, 24IN, WHITE
L45-A-KEC-HSG-36	TROV FLEX L45, KNIFE EDGE COVE HOUSING, 36IN, WHITE
L45-A-KEC-HSG-48	TROV FLEX L45, KNIFE EDGE COVE HOUSING, 48IN, WHITE
L45-A-KEC-HSG-60	TROV FLEX L45, KNIFE EDGE COVE HOUSING, 60IN, WHITE
L45-A-KEC-HSG-72	TROV FLEX L45, KNIFE EDGE COVE HOUSING, 72IN, WHITE
L45-A-KEC-HSG-84	TROV FLEX L45, KNIFE EDGE COVE HOUSING, 84IN, WHITE
L45-A-KEC-HSG-96	TROV FLEX L45, KNIFE EDGE COVE HOUSING, 96IN, WHITE

**CORNERS AND HARDWARE**

TROV-A-KEC-HSG-JNR-HWARE	TROV FAMILY, KNIFE EDGE COVE, JOINING HARDWARE, ONE/JOINT
L45L60-A-MNT-CLIP	TROV L45 L60, TRACK, KEC, AND MASKING PLATE MOUNTING CLIP, SET OF 2
L45-A-KEC-C90C	TROV FLEX L45, KNIFE EDGE COVE COFFER CORNER INSIDE, WHITE
L45-A-KEC-C90R	TROV FLEX L45, KNIFE EDGE COVE RAFT CORNER OUTSIDE, WHITE

**END CAPS**

L45-A-KEC-END-CAPS	TROV FLEX L45, KNIFE EDGE COVE, END CAP SET, LEFT AND RIGHT, WHITE
--------------------	--

**CUSTOM LENGTHS AND CORNERS**

L45-A-KEC-HSG-CUSTOM	TROV FLEX L45, KNIFE EDGE COVE CUSTOM CUT LENGTH
L45-A-KEC-CORNER-C-CUSTOM	TROV FLEX L45, KNIFE EDGE COVE COFFER CUSTOM CORNER
L45-A-KEC-CORNER-R-CUSTOM	TROV FLEX L45, KNIFE EDGE COVE RAFT CUSTOM CORNER

**ORDER NOTES:**

- KEC housings are field and factory cuttable. Use a non-ferrous circular saw blade for field cutting. If factory cutting is needed for non-standard lengths, use the custom housing SKU and specify the length needed in 1/8in increments. Factory cutting has longer lead-times and increased pricing. Ask your Ecosense Representative for more details. KEC corners are 90° and have 12 inch lengths on each side. Add 12 inches to the overall length calculations for each corner used.
- Custom corner angles can be factory cut and welded. They cannot be cut in the field. Use the custom corner SKUs and specify the angle needed when ordering. Custom corners have longer lead-times and increased pricing. Ask your Ecosense Representative for more details.
- Joining Hardware helps align and keep extrusions together and are highly recommended for joints between two housings or corners. In some sections of an installation, it might not be possible to insert the joining hardware. Use joining hardware when possible, but it is acceptable to leave them out when it is not possible.
- End caps are only needed if the end of the knife edge housing does not terminate into a corner or wall.

DATE	PROJECT	FIRM	TYPE
------	---------	------	------

**EXAMPLE CONFIGURATIONS**

**Coffer Square Cove 15ft x 20ft**

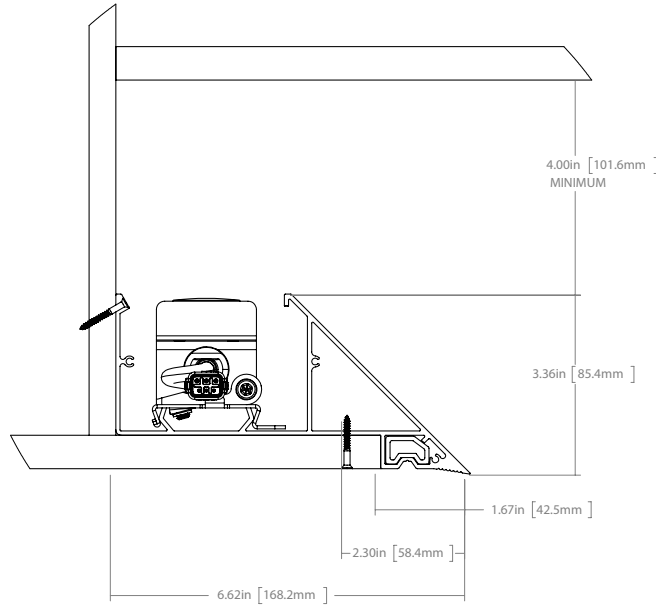
Corners; 4 x L45-A-KEC-C90C  
 15ft Walls; Each wall 1 x L45-A-KEC-HSG-96 + 1 x L45-A-KEC-HSG-60  
 20ft Walls; Each wall 2 x L45-A-KEC-HSG-96 + 1 x L45-A-KEC-HSG-24  
 Joining Hardware; 14 x TROV-A-KEC-HSG-JNR-HWARE

**Raft Square Cove 18ft x 30ft**

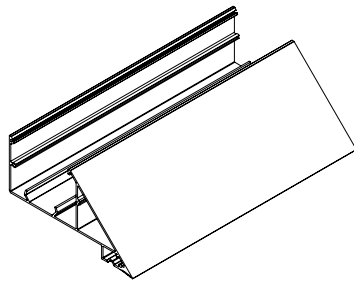
Corners; 4 x L45-A-KEC-C90R  
 18ft Walls; Each wall 2 x L45-A-KEC-HSG-96  
 30ft Walls; Each wall 3 x L45-A-KEC-HSG-96 + 1 x L45-A-KEC-HSG-48  
 Joining Hardware; 16 x TROV-A-KEC-HSG-JNR-HWARE

**Straight Cove 20ft**

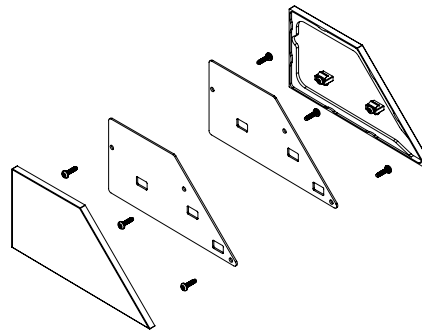
End Caps; 1 x L45-A-KEC-END-CAPS  
 20ft Wall; 2 x L45-A-KEC-HSG-96 + 1 x L45-A-KEC-HSG-48  
 Joining Hardware; 14 x TROV-A-KEC-HSG-JNR-HWARE



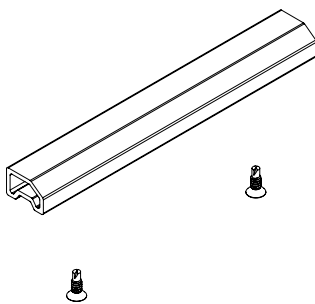
L45-A-KEC-HSG-(12-96)  
Housing 12in to 96in Lengths



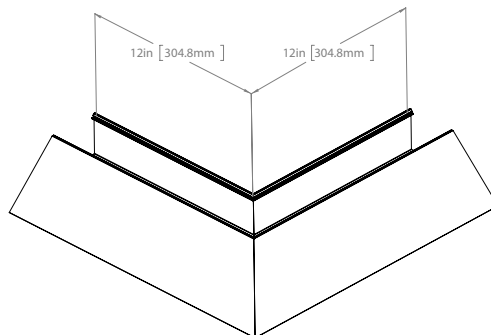
L45-A-KEC-END-CAPS  
End Cap Set - Left and Right End Caps



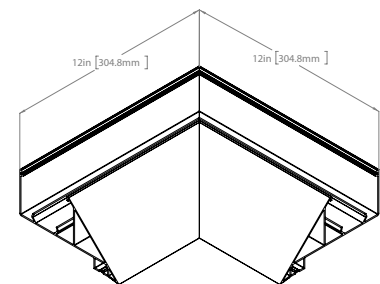
TROV-A-KEC-HSG-JNR-HWARE  
Knife Edge Cove Joining Hardware



L45-A-KEC-C90R  
Raft Corner (Outside)

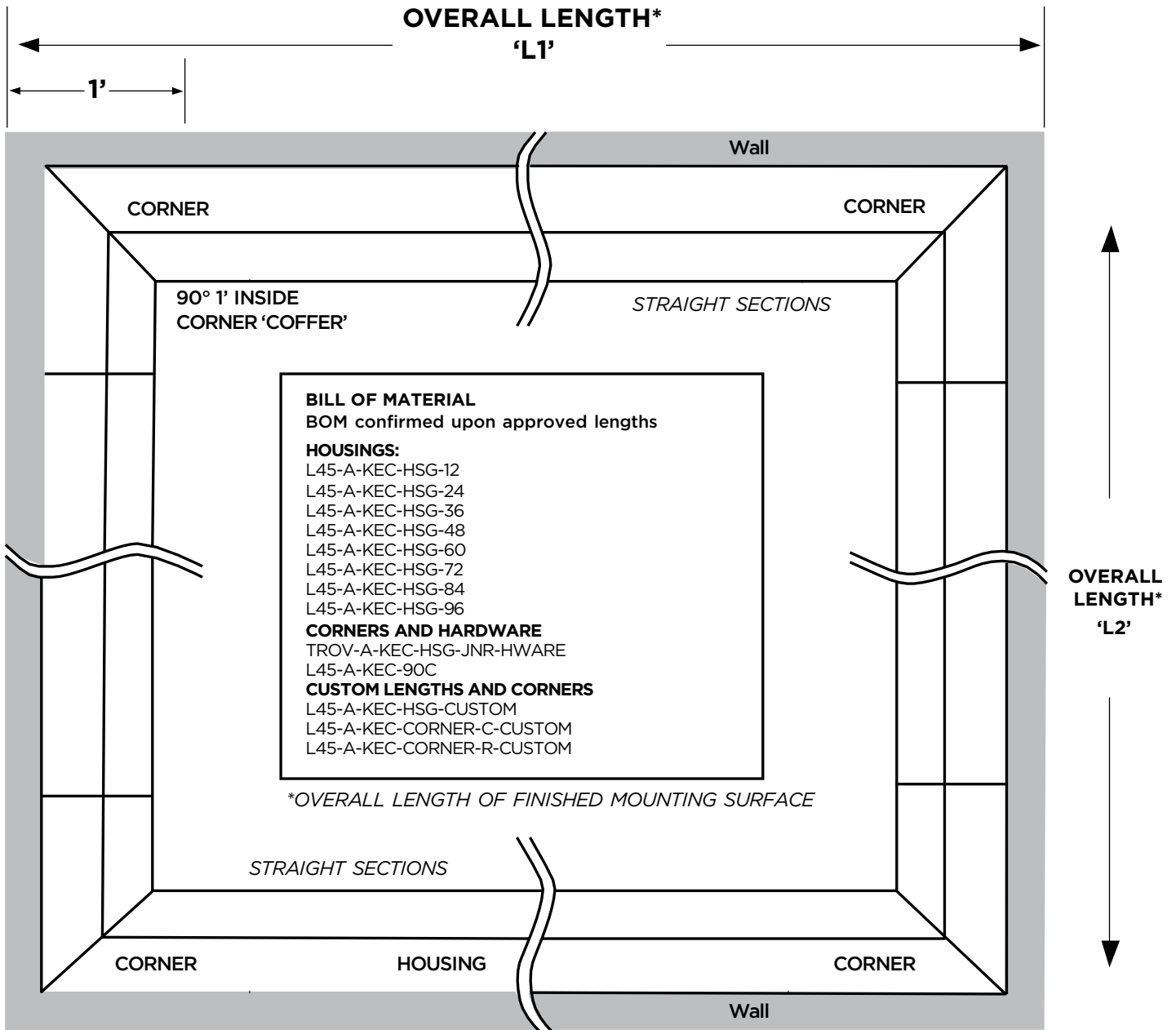


L45-A-KEC-C90C  
Coffer Corner (Inside)



DATE	PROJECT	FIRM	TYPE
------	---------	------	------

**COFFER (INSIDE) CORNER**



DATE	PROJECT	FIRM	TYPE
------	---------	------	------

**RAFT (OUTSIDE) CORNER**

