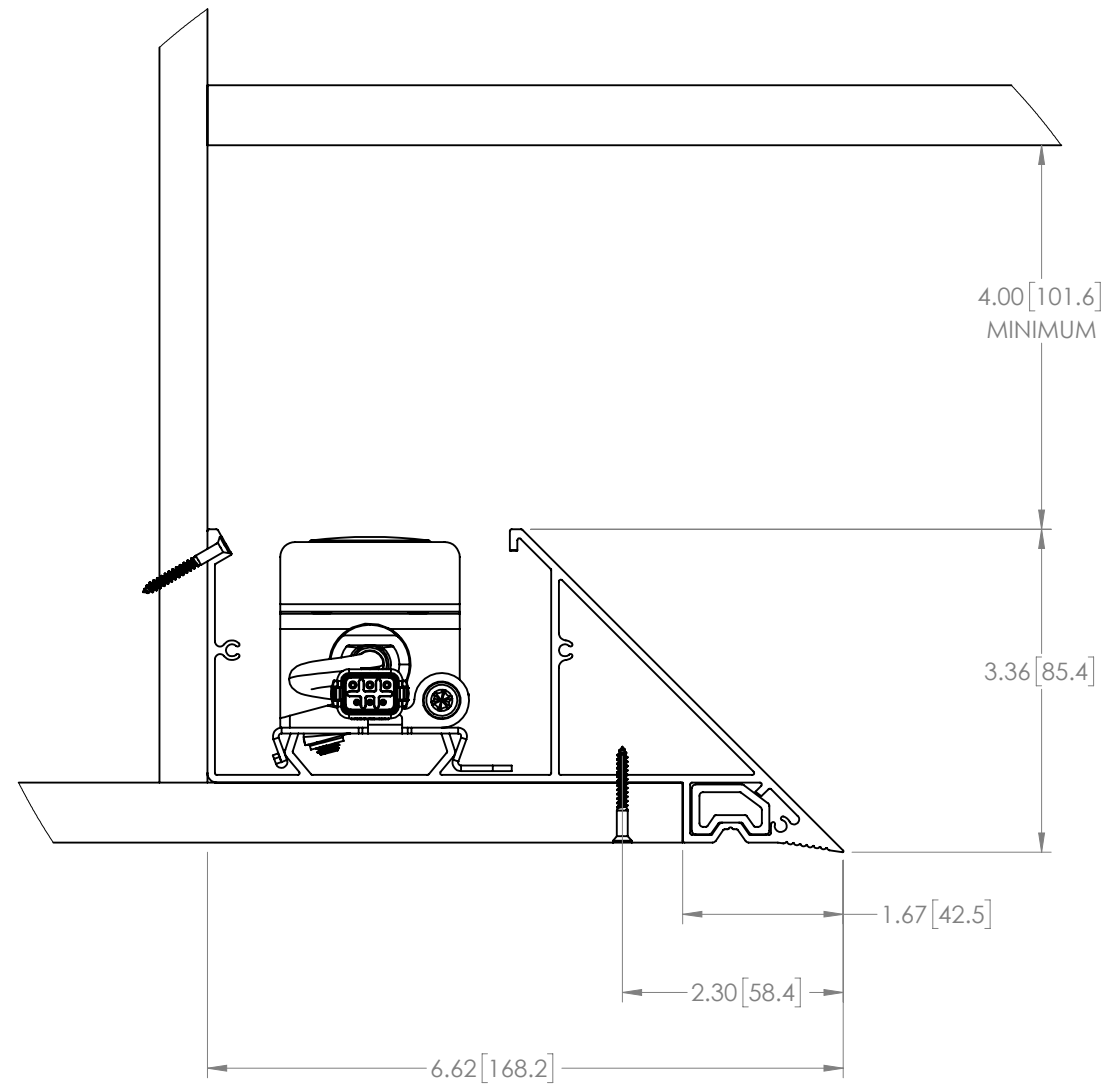
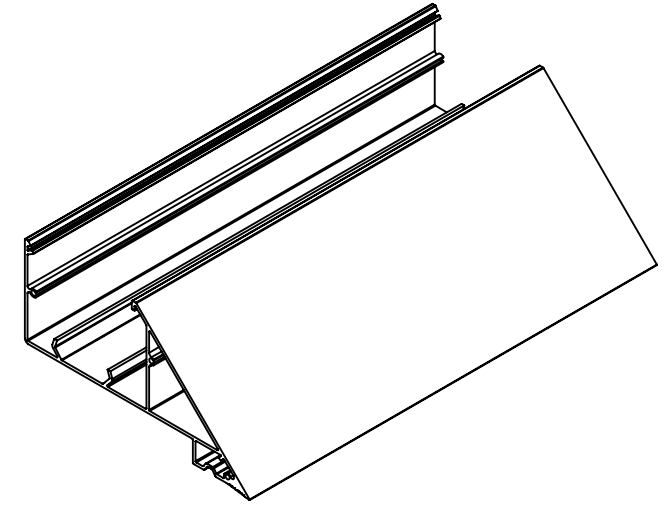


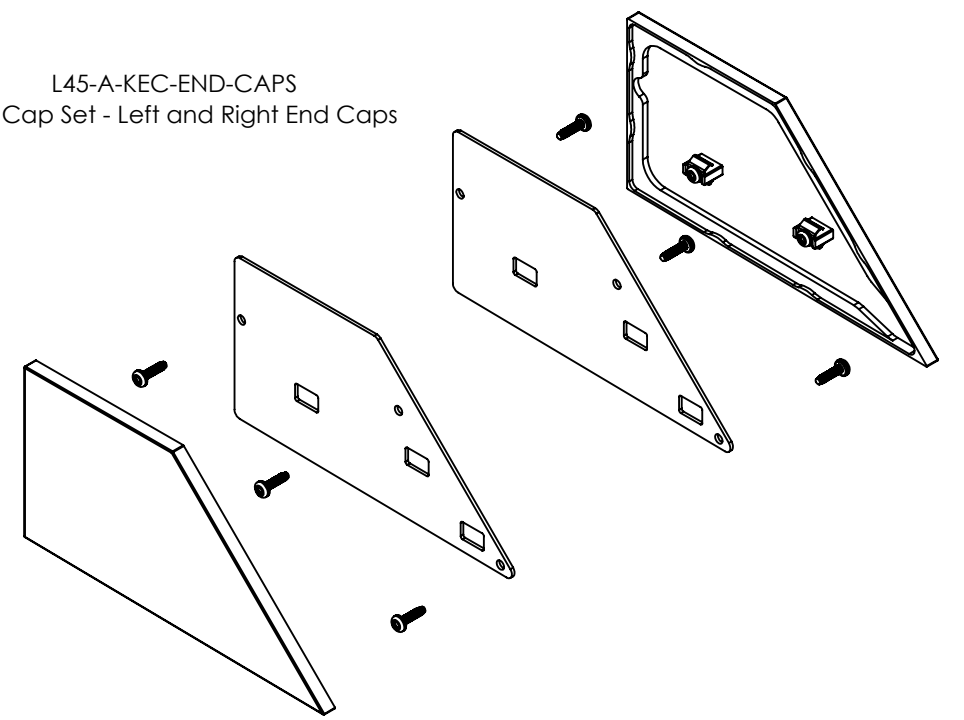
REVISIONS			
REV	DESCRIPTION	DATE	APPROVED
A	INITIAL RELEASE	05/12/2023	D.MA



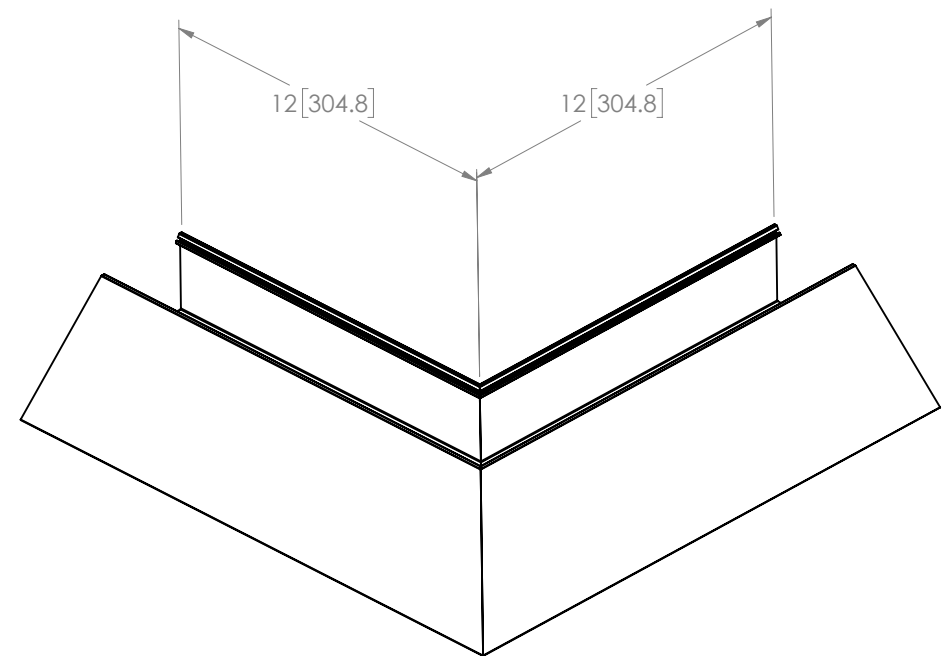
L45-A-KEC-HSG-(12-96)  
Housing 12in to 96in Lengths



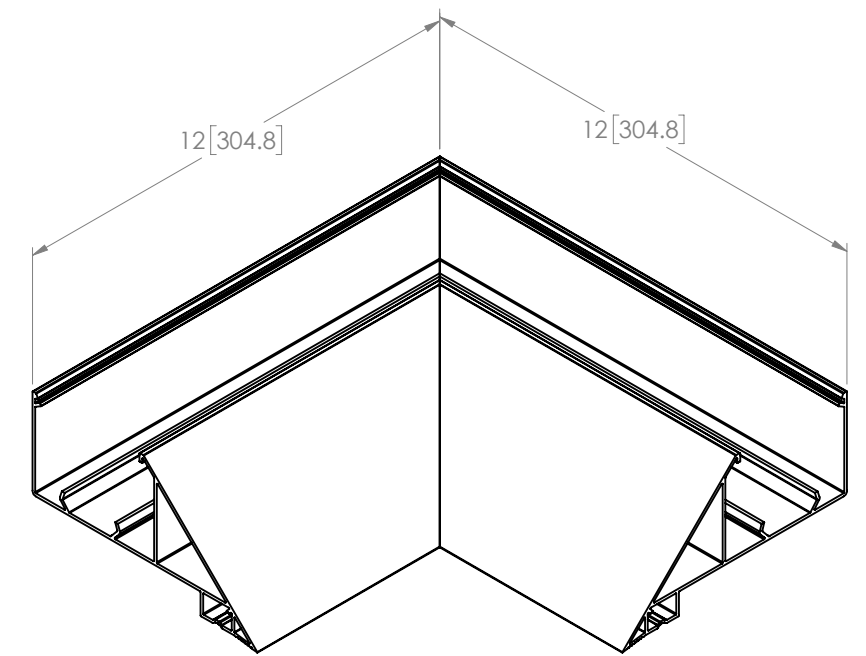
L45-A-KEC-END-CAPS  
End Cap Set - Left and Right End Caps



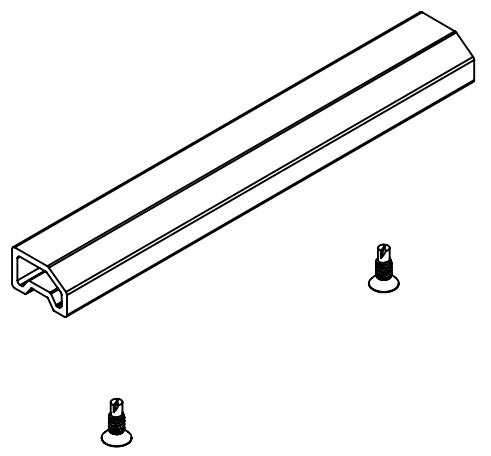
L45-A-KEC-C90R  
Raft Corner (Outside)



L45-A-KEC-C90C  
Coffer Corner (Inside)



TROV-A-KEC-HSG-JNR-HWARE  
Knife Edge Cove Joining Hardware



<b>PROPRIETARY AND CONFIDENTIAL</b> THE INFORMATION CONTAINED IN THIS DRAWING IS THE SOLE PROPERTY OF ECOSENSE LIGHTING, LLC. ANY REPRODUCTION IN PART OR AS A WHOLE WITHOUT THE WRITTEN PERMISSION OF ECOSENSE LIGHTING IS PROHIBITED. © 2021 ECOSENSE LIGHTING, LLC.	UNLESS OTHERWISE SPECIFIED  DIMENSIONS ARE IN INCHES WITH [mm] IN PARENTHESIS  TOLERANCES PER TABLE 1  INTERPRET GEOMETRIC TOLERANCING PER: ASME Y14.5		
		TITLE <b>TROV L45, KNIFE EDGE COVE, WHITE</b>	
DRAWN BY <b>D.MA</b>	DATE DRAWN <b>12/6/2022</b>	DRAWING NUMBER <b>L45-A-KEC-XXX-XX</b>	REV <b>A</b>
PROJECT ENGINEER <b>D.MA</b>	THIRD ANGLE PROJECTION 	SIZE <b>B</b>	SCALE <b>1:2</b>
		SHEET <b>1 OF 1</b>	