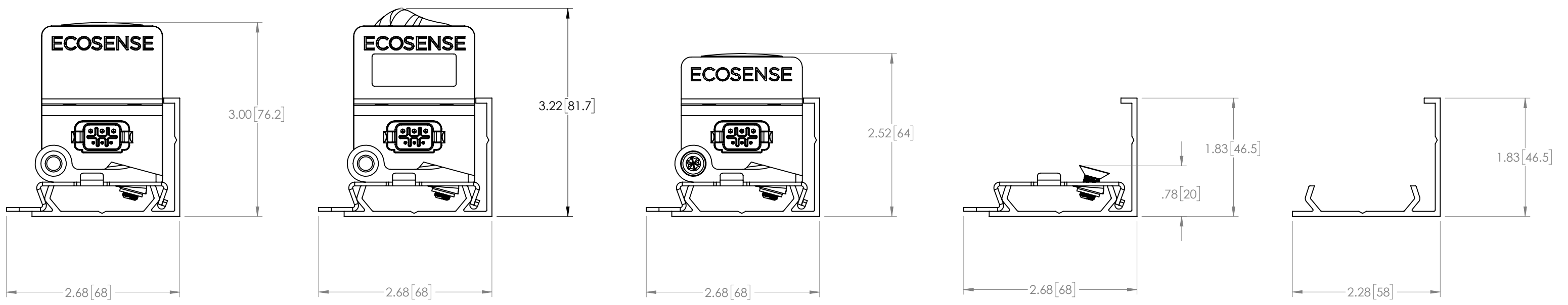
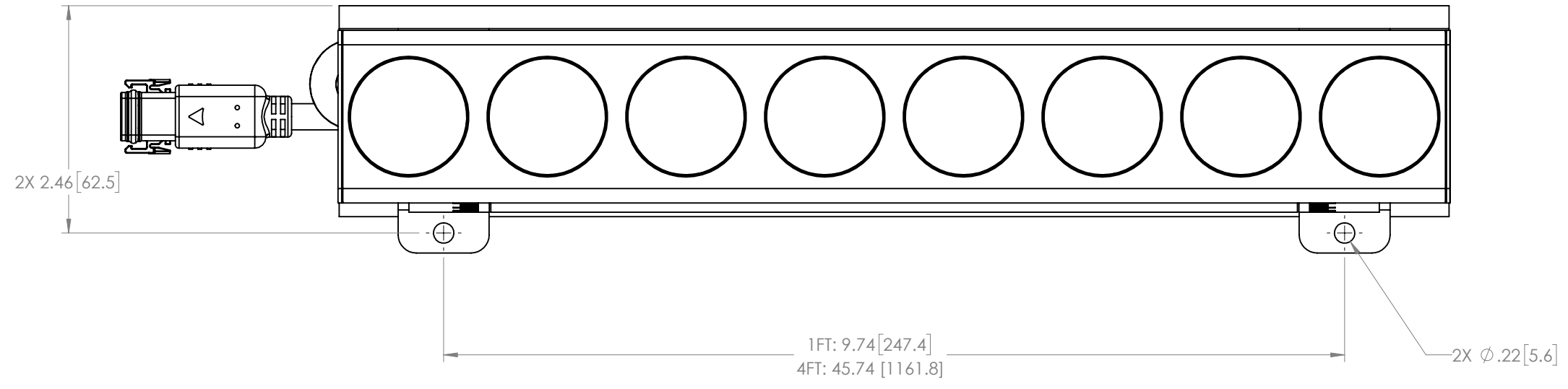
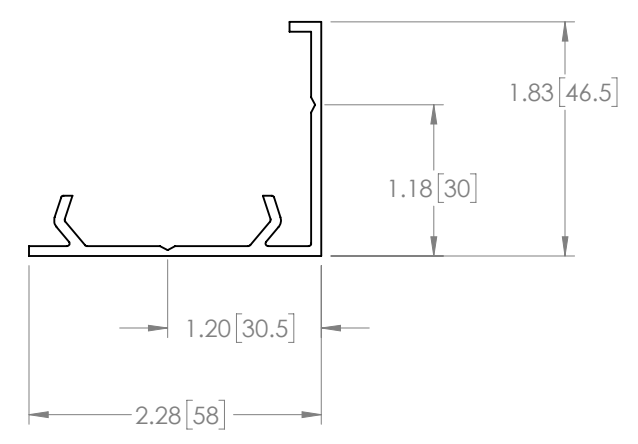
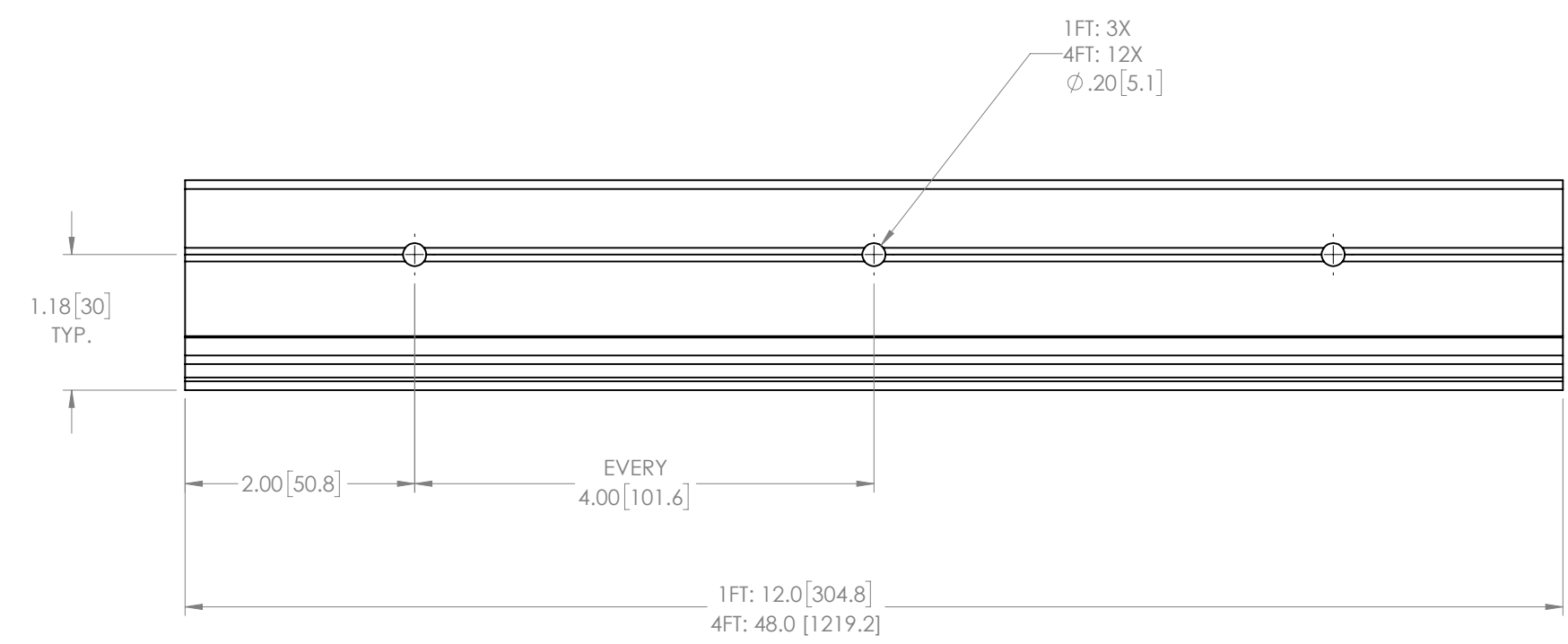
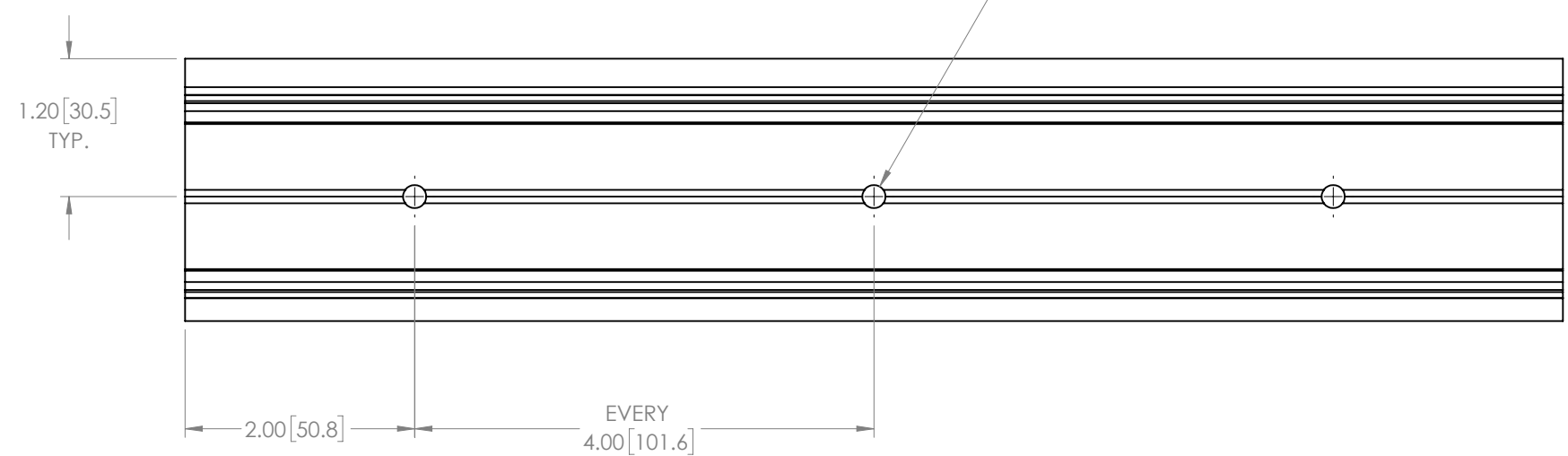


REVISIONS			
REV	DESCRIPTION	DATE	APPROVED
A	INITIAL RELEASE	10/09/2023	D.MA



PROPRIETARY AND CONFIDENTIAL THE INFORMATION CONTAINED IN THIS DRAWING IS THE SOLE PROPERTY OF ECOSENSE LIGHTING, LLC. ANY REPRODUCTION IN PART OR AS A WHOLE WITHOUT THE WRITTEN PERMISSION OF ECOSENSE LIGHTING IS PROHIBITED. © 2021 ECOSENSE LIGHTING, LLC.	UNLESS OTHERWISE SPECIFIED DIMENSIONS ARE IN INCHES WITH [mm] IN PARENTHESIS TOLERANCES PER TABLE 1 INTERPRET GEOMETRIC TOLERANCING PER: ASME Y14.5				
		TITLE TROV L45 L60, L-TRACK, 12/48 IN, BLACK/WHITE			
		DRAWN BY D.MA	DATE DRAWN 12/6/2022	DRAWING NUMBER L45L60-A-LTRACK-12-X	REV A
THIRD ANGLE PROJECTION		SIZE B	SCALE 2:3	SHEET 1 OF 3	



TITLE				TROV L45 L60, L-TRACK, 12/48 IN, BLACK/WHITE		
© 2017 ECOSENSE LIGHTING, INC.		DRAWING NUMBER		REV		
L45L60-A-LTRACK-12-X		L45L60-A-LTRACK-12-X		A		
PROPRIETARY AND CONFIDENTIAL	THIRD ANGLE PROJECTION	SIZE	SCALE	SHEET		
		B	2:3	2 OF 3		