

DATE	PROJECT	FIRM	TYPE
------	---------	------	------

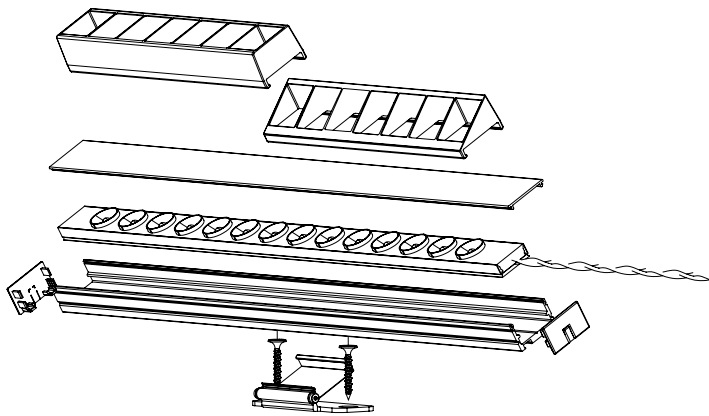
TROV FLEX L09 LOUVERS ARE SNAPPED ONTO THE MOUNTING EXTRUSION TO REDUCE GLARE FROM THE FIXTURE. LOUVERS COME IN THE SAME 6IN LENGTH AS THE FIXTURE SEGMENTS. THERE IS A FULL AND HALF LOUVER FOR THE SYMMETRIC EXTRUSION AND A HALF LOUVER FOR THE ASYMMETRIC EXTRUSION. HALF LOUVERS ARE USED WHEN THE FIXTURE IS ONLY VISIBLE FROM ONE SIDE, LIKE NEXT TO A WALL. FULL LOUVERS ARE USED WHEN THE FIXTURE IS VISIBLE FROM ALL SIDES. LOUVERS ARE MADE FROM BLACK SILICONE MAKING THEM RESISTANT TO FADING, CRACKING, AND IMPACT BREAKAGE.

**FEATURES:**

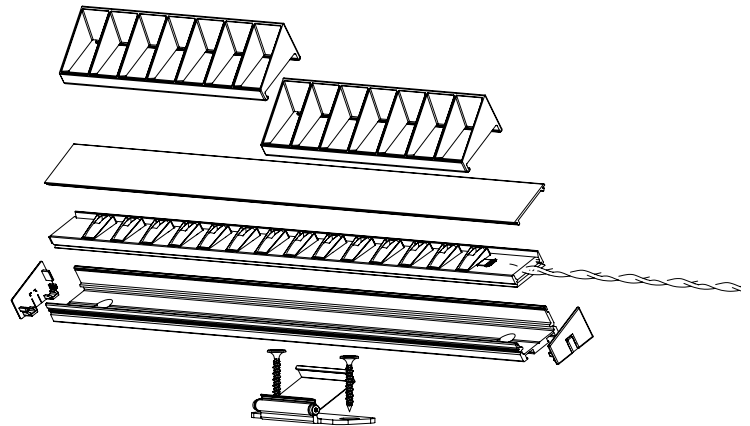
- BLACK SILICONE MATERIAL INCREASES LIFE AND IMPACT RESISTANCE.
- FULL AND HALF LOUVER FOR 10X10 AND 15X40 OPTICS WITH SYMMETRIC EXTRUSION.
- HALF LOUVER FOR ASYM OPTIC WITH ASYMMETRIC EXTRUSION.



**SYMMETRIC EXTRUSION ASSEMBLY**



**ASYMMETRIC EXTRUSION ASSEMBLY**



ORDERING

**PART NUMBER**

**SYMMETRIC COMPONENTS**

L09-A-SYM-HL

L09-A-SYM-FL

**DESCRIPTION**

L09 HALF LOUVER, SYMMETRIC, 6IN, BLACK

L09 FULL LOUVER, SYMMETRIC, 6IN, BLACK

**ASYMMETRIC COMPONENTS**

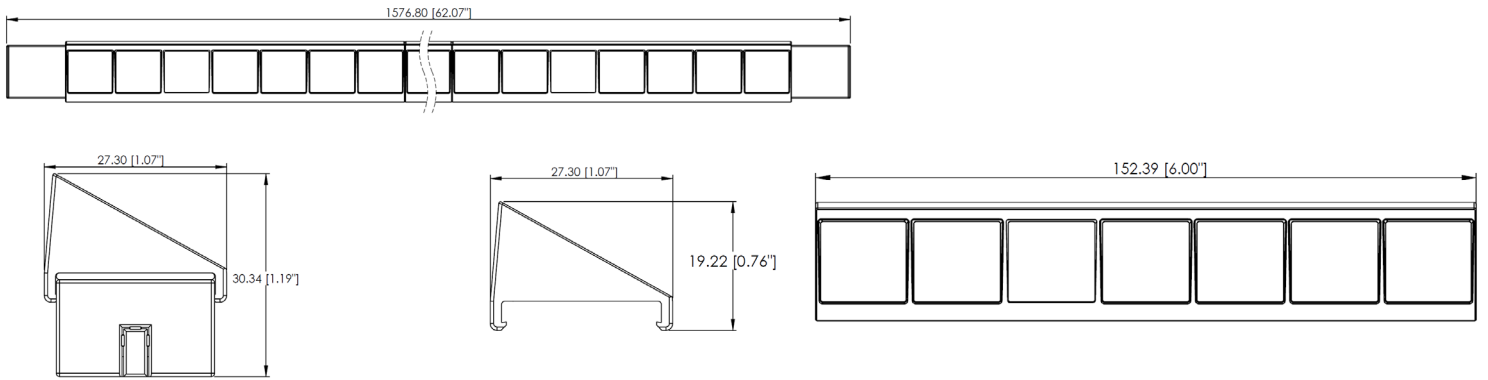
L09-A-ASYM-HL

L09 HALF LOUVER, ASYMMETRIC PROFILE, 6IN, BLACK

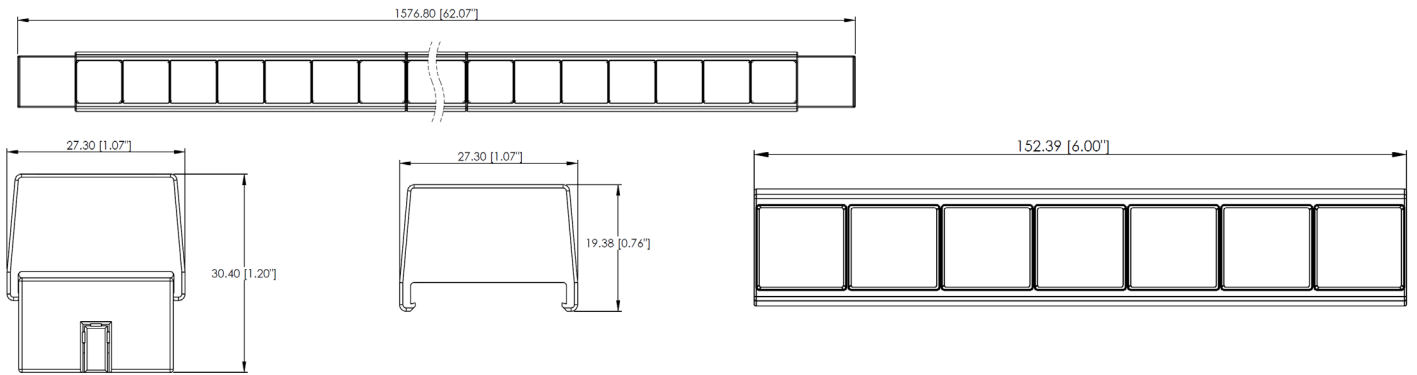
LIMITED WARRANTY 5 YEARS

DATE	PROJECT	FIRM	TYPE
------	---------	------	------

## HALF LOUVER ON SYMMETRIC EXTRUSION



## FULL LOUVER ON SYMMETRIC EXTRUSION



## HALF LOUVER ON ASYMMETRIC EXTRUSION

