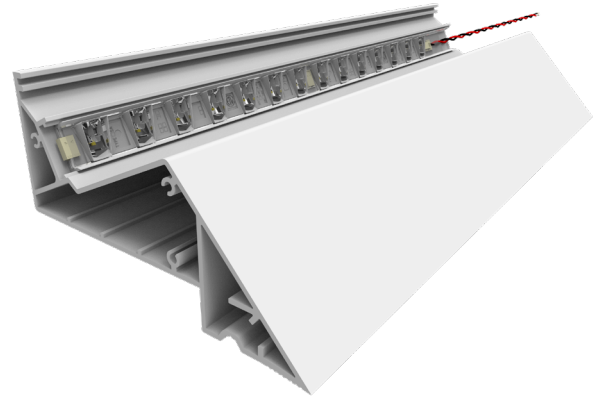


|      |         |      |      |
|------|---------|------|------|
| DATE | PROJECT | FIRM | TYPE |
|------|---------|------|------|

KNIFE EDGE COVES ADD A CLEAN, SHARP ARCHITECTURAL FEATURE REPLACING TRADITIONAL FLAT COVE DETAILS. TROV FLEX KNIFE EDGE HOUSING IS DESIGNED TO AIM THE ASYM OPTIC INTO THE ROOM. THE EXTRUSION IS FIELD CUTTABLE, HAS INTEGRATED MUD-IN FEATURES, BUILT-IN FIXTURE MOUNTING FEATURE, AND IS FINISHED IN PRIMER WHITE MAKING IT SIMPLE AND EASY TO INSTALL. IT CAN BE CONFIGURED IN STRAIGHT, COFFER, AND RAFT COVES.

**FEATURES:**

- FACTORY CUTTING FROM 1FT-8FT LENGTHS IN 1FT INCREMENTS
- FIELD CUTTABLE
- BUILT-IN FIXTURE MOUNTING FEATURE. NO EXTRA PARTS OR TOOLS NEEDED
- COFFER AND RAFT CORNERS
- PRIMER WHITE FINISH



|                         |                                    |  |
|-------------------------|------------------------------------|--|
| <b>PHYSICAL</b>         | <b>MATERIAL FINISH ENVIRONMENT</b> | EXTRUDED ALUMINUM, 6063-T5<br>POWDER COATING PAINT, RAL 9010 |
| <b>LIMITED WARRANTY</b> | <b>5 YEARS</b>                     | INDOOR, IP40, UL DAMP LOCATION ONLY                          |

**ORDERING**

| PART NUMBER                       | DESCRIPTION  | QUANTITY |
|-----------------------------------|--|----------|
| <b>HOUSINGS</b>                   |  |          |
| L09-A-KEC-HSG-12                  | TROV Flex L09, Knife Edge Cove Housing, 12in, White                |          |
| L09-A-KEC-HSG-24                  | TROV Flex L09, Knife Edge Cove Housing, 24in, White                |          |
| L09-A-KEC-HSG-36                  | TROV Flex L09, Knife Edge Cove Housing, 36in, White                |          |
| L09-A-KEC-HSG-48                  | TROV Flex L09, Knife Edge Cove Housing, 48in, White                |          |
| L09-A-KEC-HSG-60                  | TROV Flex L09, Knife Edge Cove Housing, 60in, White                |          |
| L09-A-KEC-HSG-72                  | TROV Flex L09, Knife Edge Cove Housing, 72in, White                |          |
| L09-A-KEC-HSG-84                  | TROV Flex L09, Knife Edge Cove Housing, 84in, White                |          |
| L09-A-KEC-HSG-96                  | TROV Flex L09, Knife Edge Cove Housing, 96in, White                |          |
| <b>CORNERS AND HARDWARE</b>       |  |          |
| TROV-A-KEC-HSG-JNR-HWARE          | TROV Family, Knife Edge Cove, Joining Hardware, One/Joint          |          |
| L09-A-KEC-C90C                    | TROV Flex L09, Knife Edge Cove Coffe Corner Inside, White          |          |
| L09-A-KEC-C90R                    | TROV Flex L09, Knife Edge Cove Raft Corner Outside, White          |          |
| <b>END CAPS</b>                   |  |          |
| L09-A-KEC-END-CAPS                | TROV Flex L09, Knife Edge Cove, End Cap Set, Left and Right, White |          |
| <b>CUSTOM LENGTHS AND CORNERS</b> |  |          |
| L09-A-KEC-HSG-CUSTOM              | TROV Flex L09, Knife Edge Cove Custom Cut Length                   |          |
| L09-A-KEC-CORNER-C-CUSTOM         | TROV Flex L09, Knife Edge Cove Coffe Custom Corner                 |          |
| L09-A-KEC-CORNER-R-CUSTOM         | TROV Flex L09, Knife Edge Cove Raft Custom Corner                  |          |

**ORDER NOTES:**

- KEC housings are field and factory cuttable. Use a non-ferrous circular saw blade for field cutting. If factory cutting is needed for non-standard lengths, use the custom housing SKU and specify the length needed in 1/8in increments. Factory cutting has longer lead-times and increased pricing. Ask your Ecosense Representative for more details. KEC corners are 90° and have 12 inch lengths on each side. Add 12 inches to the overall length calculations for each corner used.
- Custom corner angles can be factory cut and welded. They cannot be cut in the field. Use the custom corner SKUs and specify the angle needed when ordering. Custom corners have longer lead-times and increased pricing. Ask your Ecosense Representative for more details.
- Joining Hardware helps align and keep extrusions together and are highly recommended for joints between two housings or corners. In some sections of an installation, it might not be possible to insert the joining hardware. Use joining hardware when possible, but it is acceptable to leave them out when it is not possible.
- End caps are only needed if the end of the knife edge housing does not terminate into a corner or wall.

| DATE | PROJECT | FIRM | TYPE |
|------|---------|------|------|
|------|---------|------|------|

**EXAMPLE CONFIGURATIONS**

**Coffer Square Cove 15ft x 20ft**

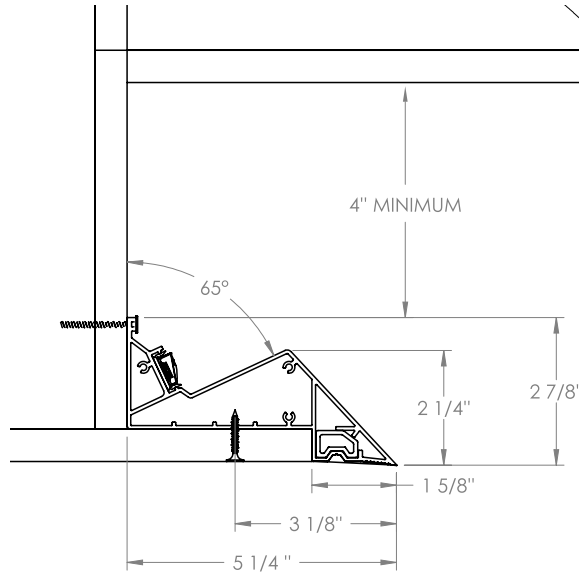
Corners; 4 x L09-A-KEC-C90C  
 15ft Walls; Each wall 1 x L09-A-KEC-HSG-96 + 1 x L09-A-KEC-HSG-60  
 20ft Walls; Each wall 2 x L09-A-KEC-HSG-96 + 1 x L09-A-KEC-HSG-24  
 Joining Hardware; 14 x TROV-A-KEC-HSG-JNR-HWARE

**Raft Square Cove 18ft x 30ft**

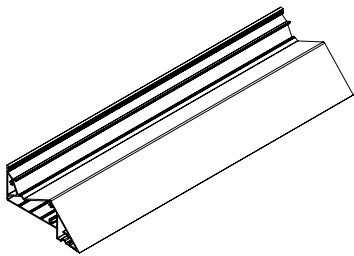
Corners; 4 x L09-A-KEC-C90R  
 18ft Walls; Each wall 2 x L09-A-KEC-HSG-96  
 30ft Walls; Each wall 3 x L09-A-KEC-HSG-96 + 1 x L09-A-KEC-HSG-48  
 Joining Hardware; 16 x TROV-A-KEC-HSG-JNR-HWARE

**Straight Cove 20ft**

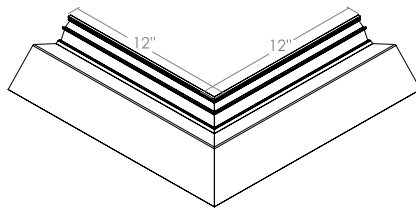
End Caps; 1 x L09-A-KEC-END-CAPs  
 20ft Wall; 2 x L09-A-KEC-HSG-96 + 1 x L09-A-KEC-HSG-48  
 Joining Hardware; 14 x TROV-A-KEC-HSG-JNR-HWARE



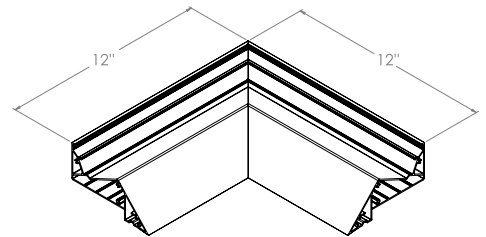
**Housing 12in to 96in Lengths**  
**L09-A-KEC-HSG-(12-96)**



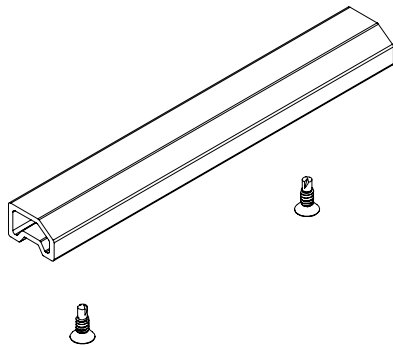
**Raft Corner (Outside)**  
**L09-A-KEC-C90R**



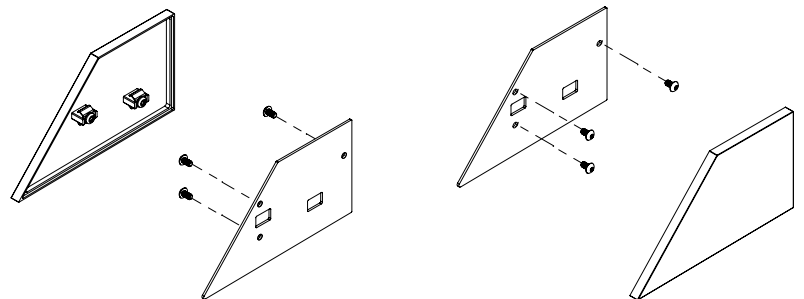
**Coffer Corner (Inside)**  
**L09-A-KEC-C90C**



**Knife Edge Cove Joining Hardware**  
**TROV-A-KEC-HSG-JNR-HWARE**



**End Cap Set - Left and Right End Caps**  
**L09-A-KEC-END-CAPS**





|      |         |      |      |
|------|---------|------|------|
| DATE | PROJECT | FIRM | TYPE |
|------|---------|------|------|

## Raft (Outside) Corner

