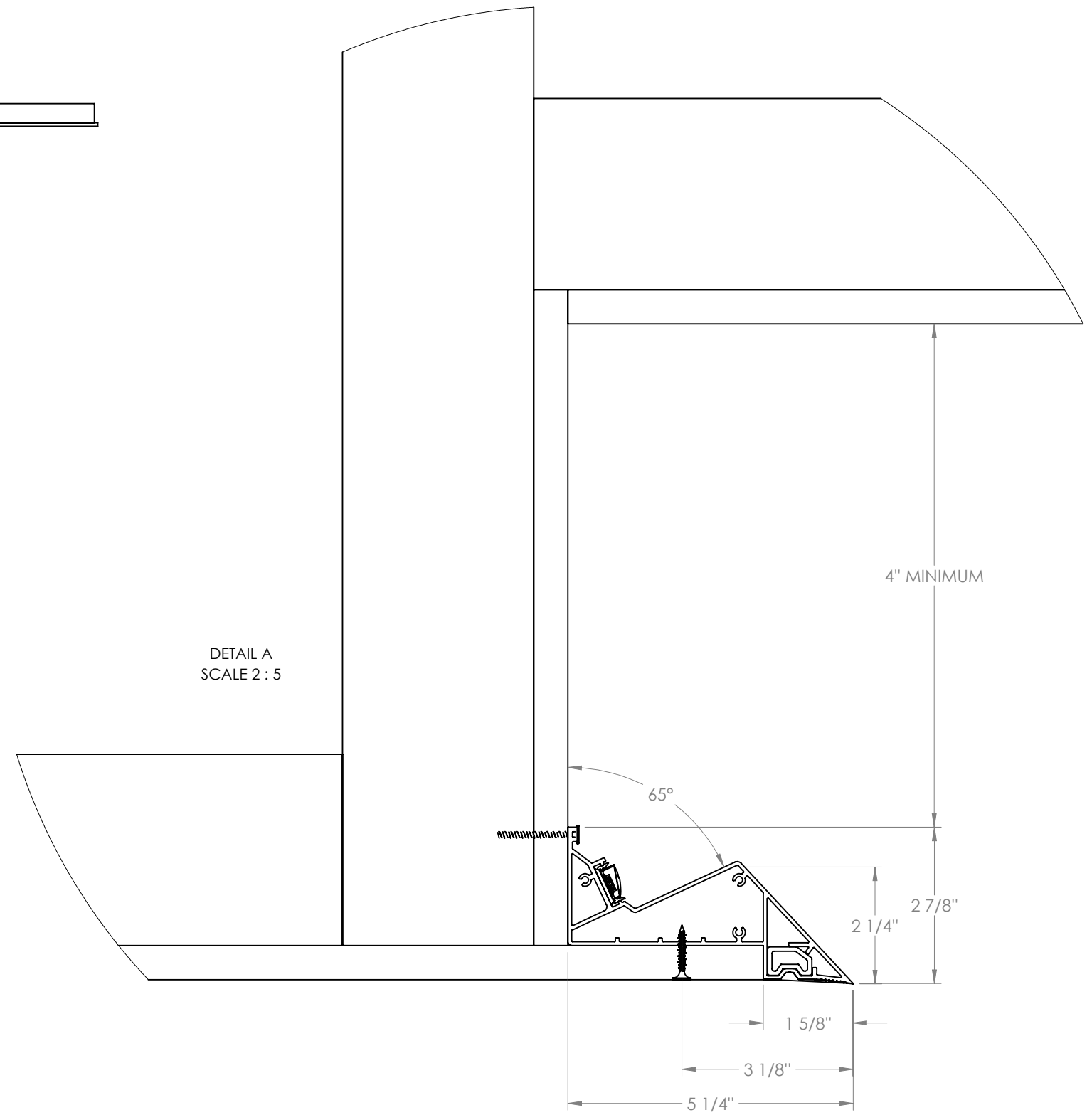
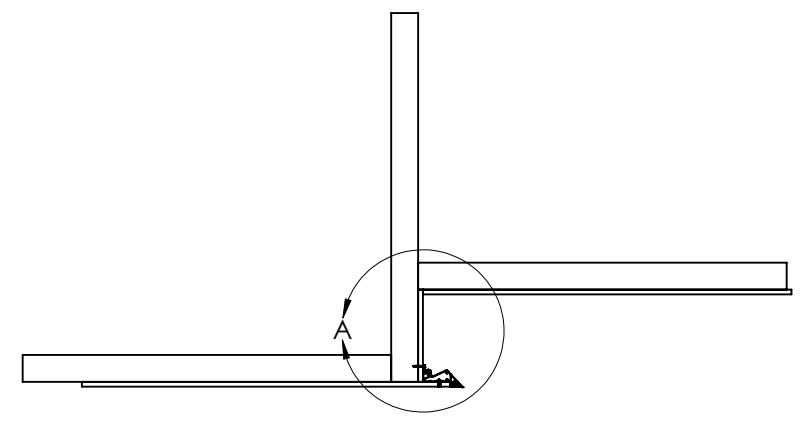


REVISIONS			
REV	DESCRIPTION	DATE	APPROVED
1	INITIAL RELEASE	6/28/2023	T. SPRINGER



DETAIL A
SCALE 2 : 5

4" MINIMUM

65°

2 1/4"

2 7/8"

1 5/8"

3 1/8"

5 1/4"

PROPRIETARY AND CONFIDENTIAL THE INFORMATION CONTAINED IN THIS DRAWING IS THE SOLE PROPERTY OF ECOSENSE LIGHTING, INC. ANY REPRODUCTION IN PART OR AS A WHOLE WITHOUT THE WRITTEN PERMISSION OF ECOSENSE LIGHTING IS PROHIBITED. © 2017 ECOSENSE LIGHTING, INC.	UNLESS OTHERWISE SPECIFIED DIMENSIONS ARE IN MILLIMETERS TOLERANCES PER DIN ISO 2768 T1 CLASS M (MEDIUM) INTERPRET GEOMETRIC TOLERANCING PER: ASME Y14.5				
		TITLE L09 KNIFE EDGE LAYOUT			
DRAWN BY T. SPRINGER	DATE DRAWN 2023-06-28	DRAWING NUMBER	REV 1		
PROJECT ENGINEER T. SPRINGER	THIRD ANGLE PROJECTION 	SIZE B	SCALE 1:25	SHEET 1 OF 1	