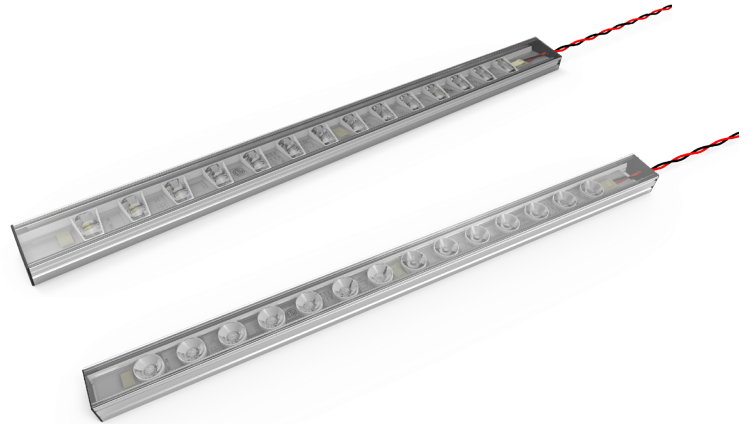


DATE	PROJECT	FIRM	TYPE
------	---------	------	------

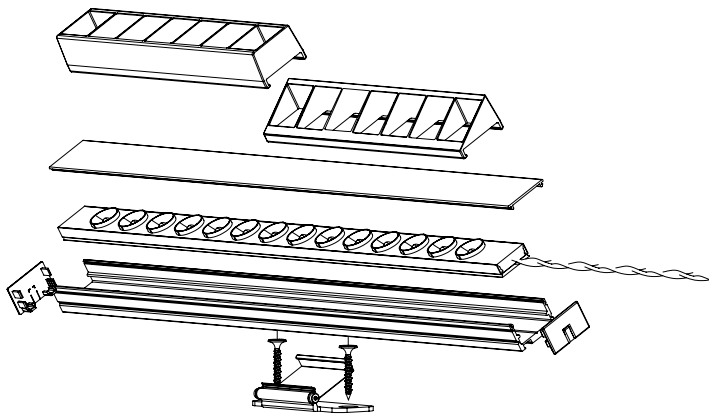
TROV FLEX L09 MOUNTING EXTRUSIONS CAN BE USED TO CREATE A CLEAN STRAIGHT RUN OF L09. THEY ARE OFFERED IN A SYMMETRIC PROFILE FOR THE 10X10 AND 15X40, AND AN ASYMMETRIC PROFILE FOR THE ASYM OPTIC. THEY COME IN CLEAR ANODIZED, WHITE, AND BLACK FINISHES. AN OPTIONAL SNAP ON CLEAR DUST COVER LENS CAN ALSO BE ADDED FOR EASY CLEANING. AIMABLE HINGE BRACKETS CAN BE ADDED TO AIM FROM 0° TO 180°.

**FEATURES:**

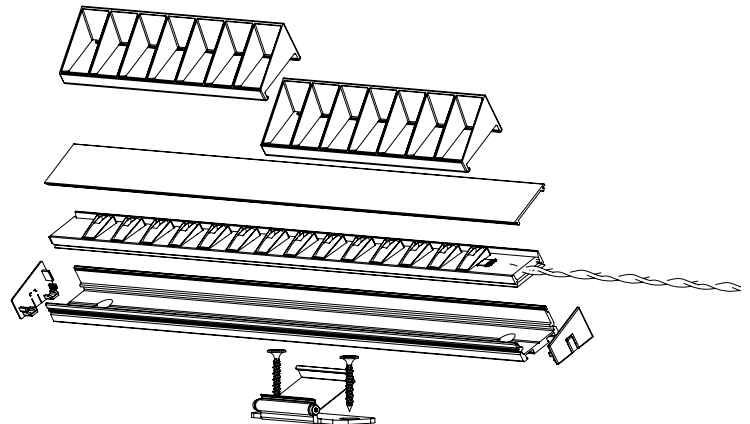
- FLAT SURFACE MOUNT WITH PRE DRILLED HOLES
- STANDARD CLEAR ANODIZED FINISH. OPTIONAL WHITE, AND BLACK FINISHES AVAILABLE AS BUILT TO ORDER.
- BLACK END CAPS WITH WIRE KNOCK OUTS INCLUDED
- OPTIONAL AIMABLE MOUNTING BRACKET
- OPTIONAL SNAP ON DUST COVER
- OPTIONAL SNAP ON LOUVERS(SEE LOUVER SPEC SHEET)



**SYMMETRIC EXTRUSION ASSEMBLY**



**ASYMMETRIC EXTRUSION ASSEMBLY**



**ORDERING**

**PART NUMBER**

**SYMMETRIC COMPONENTS**

- L09-A-MNT-EXT-SYM-62IN-AL
- L09-A-MNT-EXT-SYM-62IN-WH\*
- L09-A-MNT-EXT-SYM-62IN-BK\*
- L09-A-MNT-EXT-SYM-ENDCAPS
- L09-A-MNT-EXT-SYM-ENDCAPS-WH\*
- L09-A-DUSTCVR-SYM-62IN

**DESCRIPTION**

- L09 FLAT MOUNTING EXTRUSION, 62IN, SYMMETRIC, CLEAR ANODIZED ALUMINUM
- L09 FLAT MOUNTING EXTRUSION, 62IN, SYMMETRIC, WHITE
- L09 FLAT MOUNTING EXTRUSION, 62IN, SYMMETRIC, BLACK
- L09 EXTRUSION END CAP SET, SYMMETRIC, SET OF 2, BLACK
- L09 EXTRUSION END CAP SET, SYMMETRIC, SET OF 2, WHITE
- L09 CLEAR DUST COVER, 62IN, SYMMETRIC

**ASYMMETRIC COMPONENTS**

- L09-A-MNT-EXT-ASYM-62IN-AL
- L09-A-MNT-EXT-ASYM-62IN-WH\*
- L09-A-MNT-EXT-ASYM-62IN-BK\*
- L09-A-MNT-EXT-ASYM-ENDCAPS
- L09-A-MNT-EXT-ASYM-ENDCAPS-WH\*
- L09-A-DUSTCVR-ASYM-62in

- L09 FLAT MOUNTING EXTRUSION, 62IN, ASYMMETRIC, CLEAR ANODIZED ALUMINUM
- L09 FLAT MOUNTING EXTRUSION, 62IN, ASYMMETRIC WHITE
- L09 FLAT MOUNTING EXTRUSION, 62IN, ASYMMETRIC, BLACK
- L09 EXTRUSION END CAP SET, ASYMMETRIC, SET OF 2, BLACK
- L09 EXTRUSION END CAP SET, ASYMMETRIC, SET OF 2, WHITE
- L09 CLEAR DUST COVER, 62IN, ASYMMETRIC

**UNIVERSAL COMPONENTS**

- L09-A-MNT-EXT-ADJ-BRKTs

- L09 EXTRUSION AIMING BRACKET, SYM AND ASYM, SET OF 2, CLEAR ANODIZED

EXTRUSIONS ARE FIELD CUTTABLE. IF SHORTER LENGTHS ARE NEEDED, ORDER THE 62IN EXTRUSION AND CUT IT IN THE FIELD. ORDER EXTRA END CAPS AS NEEDED. \* WHITE AND BLACK FINISHES ARE PAINTED TO ORDER. LONGER LEAD-TIMES APPLY.

LIMITED WARRANTY 5 YEARS



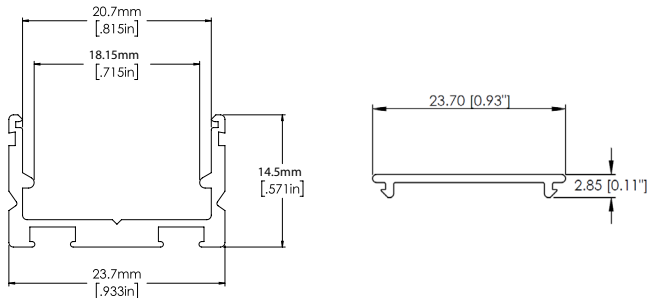
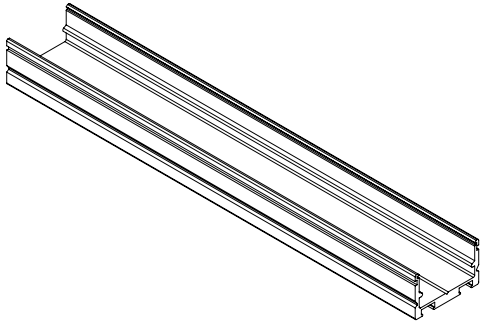
**ECOSENSE LIGHTING INC.**  
837 NORTH SPRING STREET  
SUITE 103  
LOS ANGELES, CA 90012

**P • 310.496.6255**  
**F • 310.496.6256**  
**T • 855.632.6736**  
855.6.ECOSEN

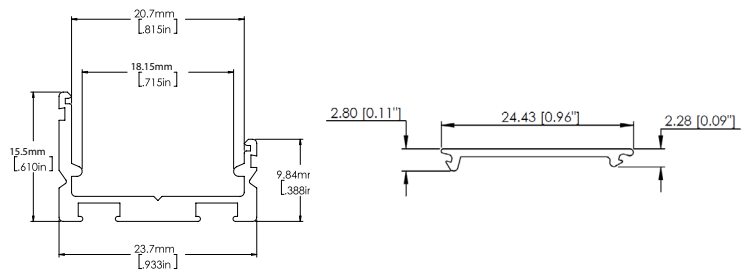
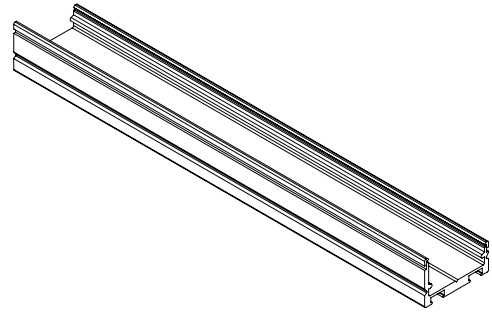
SPECIFICATIONS SUBJECT TO CHANGE WITHOUT NOTICE. VISIT [ECOSENSELIGHTING.COM](http://ECOSENSELIGHTING.COM) FOR THE MOST CURRENT SPECIFICATIONS. FOR A LIST OF PATENTS VISIT [ECOSENSELIGHTING.COM/IP-PORTFOLIO/](http://ECOSENSELIGHTING.COM/IP-PORTFOLIO/). ©2019 ECOSENSE LIGHTING INC. ALL RIGHTS RESERVED. ECOSENSE, THE ECOSENSE LOGO, TROV, TROV AND ECOSPEC ARE REGISTERED TRADEMARKS OF ECOSENSE LIGHTING INC. RISE™, SLIM COVER™, FREEDOM TO CREATE™, MACRO™, FLIP-TO-FLAT™ ARE TRADEMARKS OF ECOSENSE LIGHTING INC.

DATE	PROJECT	FIRM	TYPE
------	---------	------	------

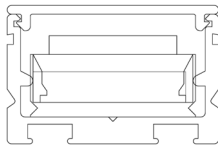
## SYMMETRIC EXTRUSION



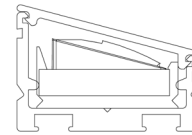
## ASYMMETRIC EXTRUSION



Extrusion with fixture and dust cover



Extrusion with fixture and dust cover



## MOUNTING HOLE LOCATIONS FOR BOTH EXTRUSIONS

USE #6 FLAT HEAD SCREWS

