

NOTES:

- THIS CRITICAL DIMENSION DRAWING, IN CONJUNCTION WITH THE ASSOCIATED 3D MODEL, SPECIFIES THE PART. ALL UNDIMENSIONED GEOMETRY IS TO BE CONSIDERED NOMINAL AND MUST ADHERE TO DIN ISO 2768 T1 CLASS M RELATIVE TO THE 3D MODEL. REFERENCE THE ASSOCIATED 3D MODEL FOR PART FABRICATION. SEE TABLE 1 FOR DIN ISO 2768 T1 REFERENCE.
- DIMENSIONS WITH A \diamond , EXAMPLE: $\diamond 12.5$, ARE CRITICAL TO PART FUNCTION. NO DEVIATION OR TOLERANCE WAIVER IS PERMISSIBLE. DIMENSIONS WITH AN OVAL, EXAMPLE: $\text{OVAL } \phi 12.5$, ARE INSPECTION DIMENSIONS FOR PRODUCTION LOT INSPECTION. DIMENSIONS WITH PARENTHESES, EXAMPLE: $(\phi 12.5)$, ARE FOR REFERENCE ONLY. TOLERANCE CONTROL IS NOT IMPOSED. DIMENSIONS WITH AN ASTERISK, EXAMPLE: $\phi 12.5^*$, REFERENCE ONE OR MORE VIRTUAL INTERSECTIONS.
- DIMENSIONS MAY HAVE AN IDENTIFICATION FLAG SUCH AS C TO AID INSPECTION AND REPORTING.
- UNLESS OTHERWISE NOTED, ALL SURFACES MUST MEET CLASS 4 QUALITY REQUIREMENTS PER PTR-000020-00. SURFACES INDICATED WITH C1 , C2 , OR C3 MUST MEET CLASS 1, CLASS 2, OR CLASS 3 QUALITY REQUIREMENTS PER PTR-000020-00.
- MATERIAL: AI 6063-T6
- FINISH: SEE TABLE 2
- TOOLING MUST BE APPROVED BY THE ECOSENSE ENGINEERING DEPT. BEFORE TOOL FABRICATION. TOOL DESIGN DRAWINGS SHALL BE SUPPLIED PRIOR TO TOOL FABRICATION APPROVAL.

REVISIONS			
REV.	DESCRIPTION	DATE	APPROVED
A	RELEASE FOR TOOLING	11/5/2020	Y. HUANG
B	ADDED NOTCHES FEATURES, UPDATED OVERALL LENGTH TO 62" LONG AND ADDED THE FINISH TABLE	12/14/2020	Y. HUANG
C	UPDATED DIMENSION 18.6 TO 17.95 MM, UPDATED DIMENSION 1.38 TO 1.17, ADDED #10 CS HOLE	03/01/2021	Y. HUANG

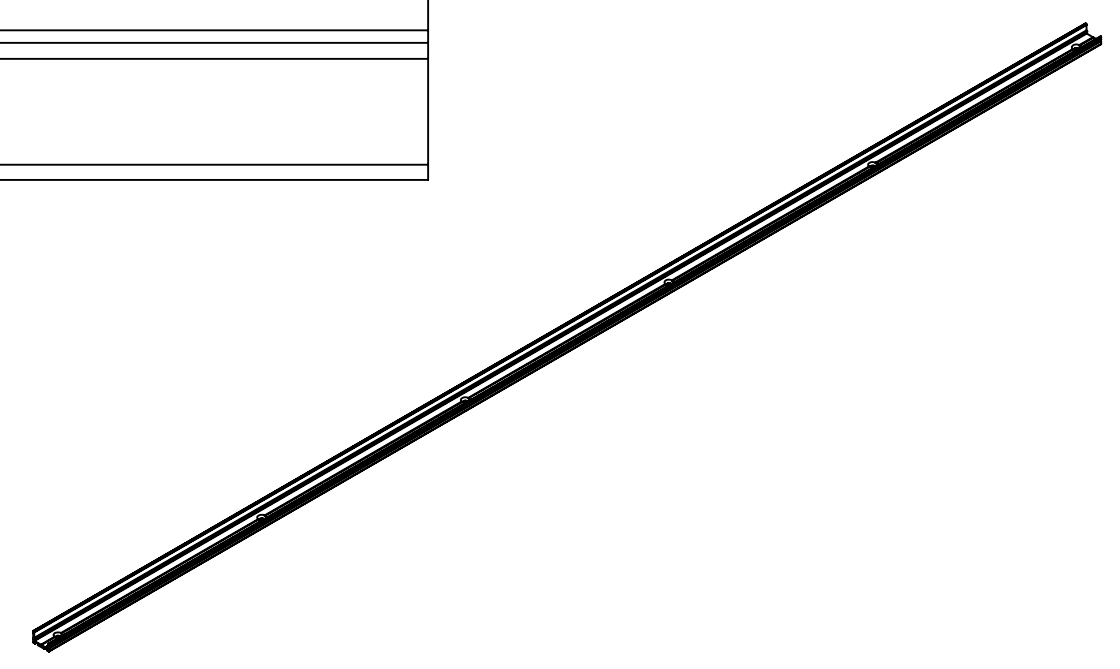
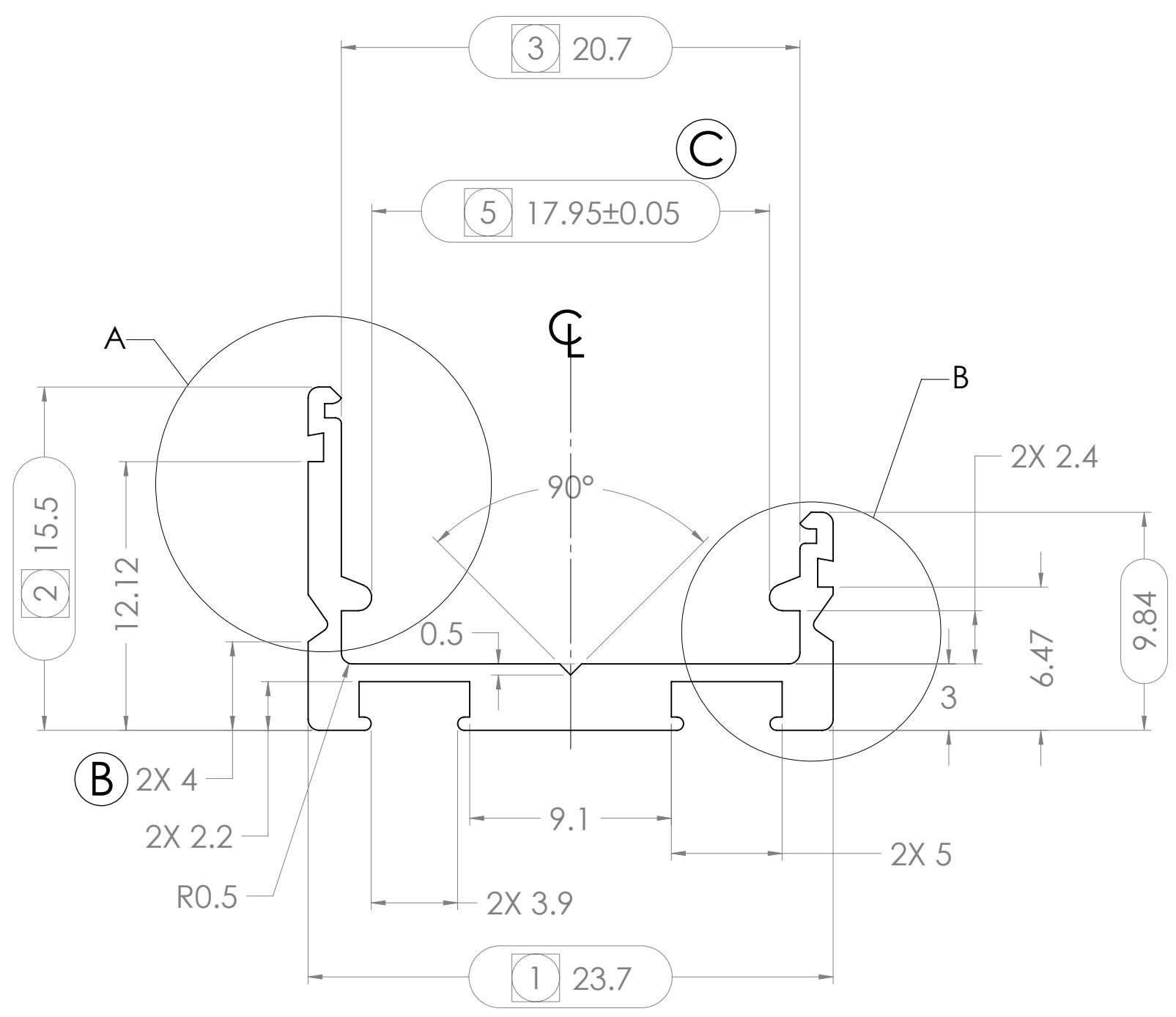
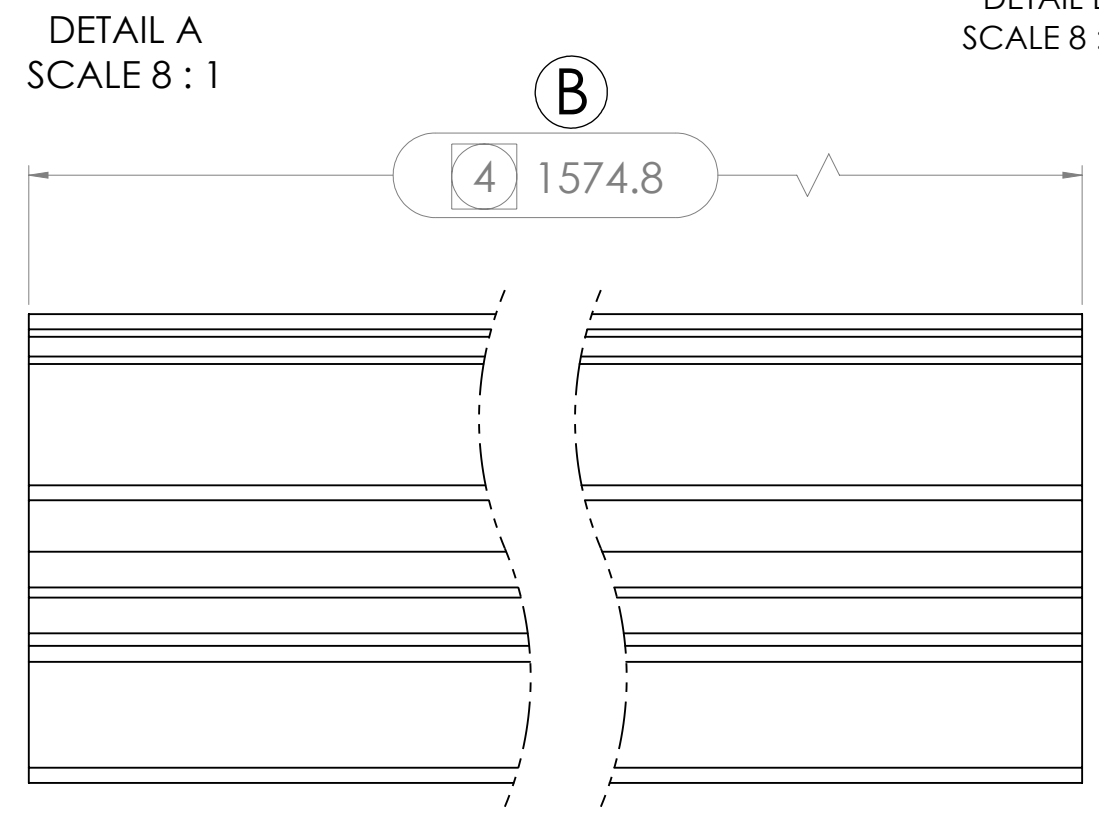
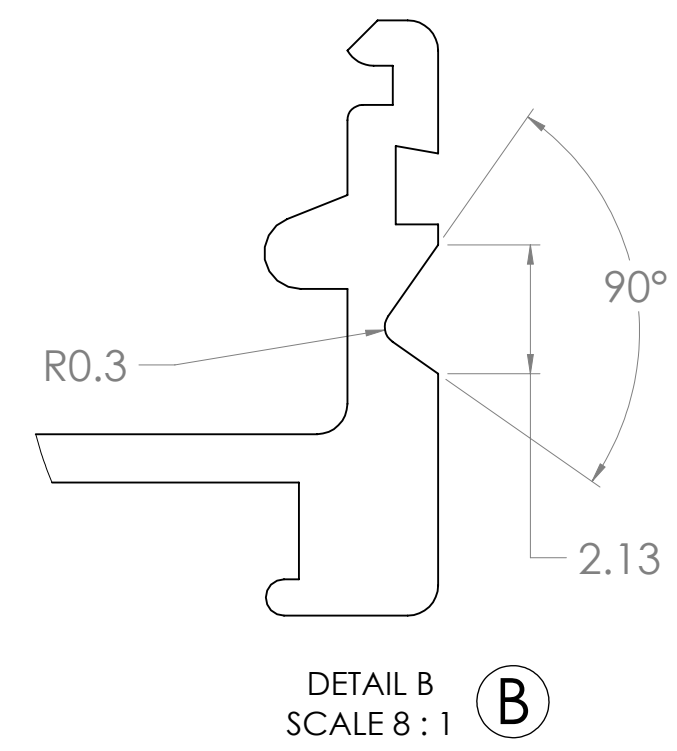
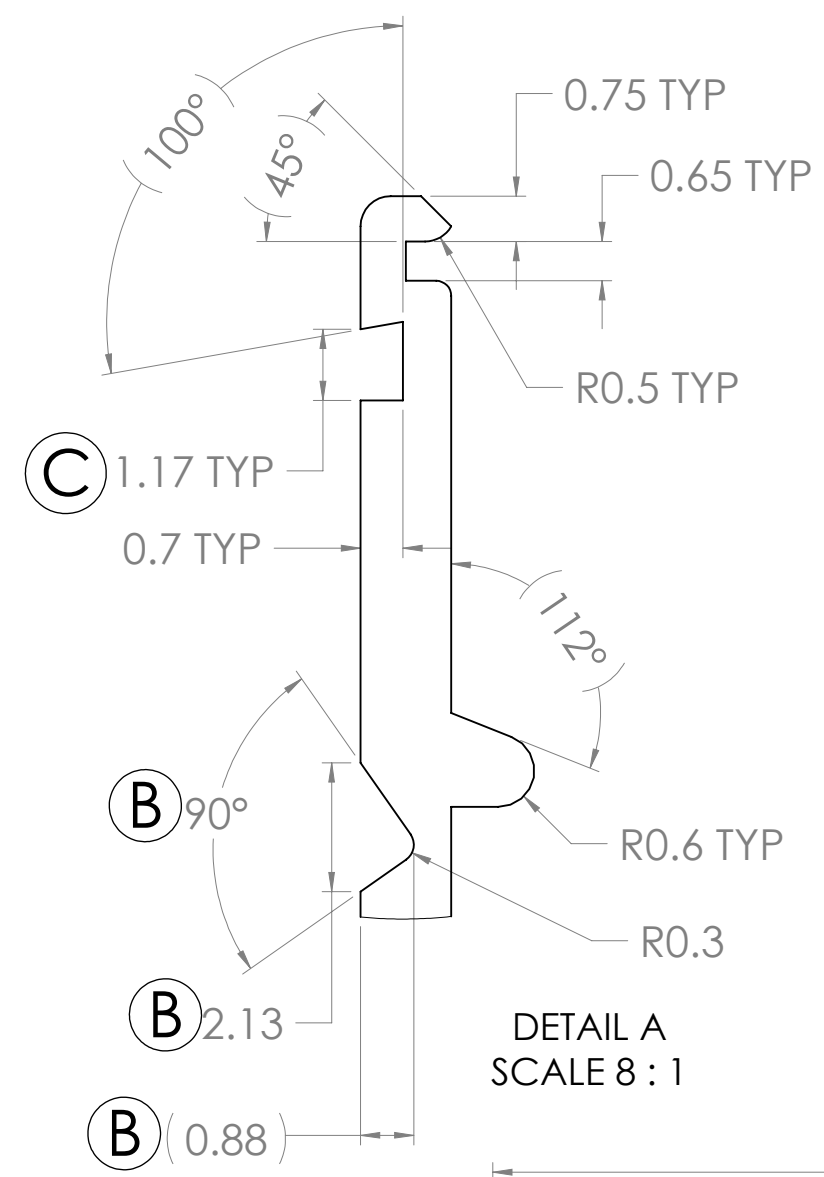


TABLE 2 - FINISH TABLE

P/N	FINISH
HSG-000402-00	CLEAR ANODIZED
HSG-000402-01	SATIN WHITE POWDER COAT
HSG-000402-02	MATTE BLACK POWDER COAT

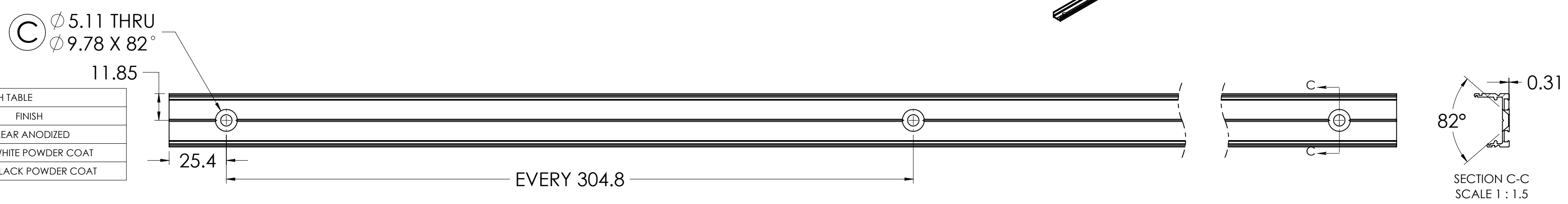


TABLE 1 - SELECTED CLASSES OF DIN ISO 2768 T1

TOLERANCE CLASS	LINEAR DIMENSION TOLERANCES - NOMINAL SIZE RANGE IN mm				
	.5 < DIM ≤ 3	3 < DIM ≤ 6	6 < DIM ≤ 30	30 < DIM ≤ 120	120 < DIM ≤ 400
F (FINE)	±0.05	±0.05	±0.1	±0.15	±0.2
M (MEDIUM)	±0.1	±0.1	±0.2	±0.3	±0.5
TOLERANCE CLASS	RADI AND CHAMFERS			ANGLES	
	.5 < DIM ≤ 3	3 < DIM ≤ 6	6 < DIM	SHORT LEG ≤ 10	10 < LEG ≤ 50
M (MEDIUM)	±0.2	±0.5	±1	±1°	±30°

PROPRIETARY AND CONFIDENTIAL

UNLESS OTHERWISE SPECIFIED

DIMENSIONS ARE IN MILLIMETERS

TOLERANCES PER DIN ISO 2768 T1 CLASS M (MEDIUM)

INTERPRET GEOMETRIC TOLERANCING PER: ASME Y14.5

TITLE: Trov Flex, L09, Flat Surface Mounting Extrusion, ASYM

DRAWN BY: Y. HUANG DATE DRAWN: 2020-11-05 DRAWING NUMBER: HSG-000402-XX REV: C

PROJECT ENGINEER: A. Meir THIRD ANGLE PROJECTION

SIZE: C SCALE: 4:1 SHEET: 1 OF 1