

DATE	PROJECT	FIRM	TYPE
------	---------	------	------

TROV FLEX MULTI-OUTPUT ELECTRONIC DRIVERS HAVE TWO, THREE, OR FOUR 96W OUTPUTS TO REDUCE TOTAL INSTALLATION COSTS. THEY ARE DESIGNED TO MEET THE NEEDS OF EVERY PROJECT, AND FEATURE OUTDOOR WET-LOCATION RATED ENCLOSURES WITH 1/2" CONDUIT KNOCKOUTS FOR EASY INSTALLATIONS, INDOORS OR OUT. SMOOTH FLICKER-FREE DIMMING DOWN TO 1% LIGHT OUTPUT —WITH INTEGRAL TRIAC, ELV, AND 0-10V DIMMING CONTROLS—ENABLING SIMPLE CONTROLLABILITY FOR MANY APPLICATIONS.

**FEATURES:**

- FLICKER-FREE DIMMING DOWN TO 1% LIGHT OUTPUT
- OUTDOOR WET-LOCATION RATED ENCLOSURES
- CLASS 2 POWER SUPPLIES
- 24VDC OUTPUT VOLTAGE
- 5-YEAR WARRANTY
- 0-10V, ELV, & TRIAC
- MULTI-VOLT 100-277V INPUT
- AUTO-RESET SHORT, OVERLOAD, AND THERMAL PROTECTION
- UL RATED
- FULLY RATED TO SPECIFIED POWER OUTPUT



**ELECTRONIC ORDERING MODEL NUMBER**

DRV-E10-E-96WX2-100-277-KVG  
 DRV-E10-E-96WX3-100-277-KVG  
 DRV-E10-E-96WX4-100-277-KVG

**DESCRIPTION**

Driver, Electronic, Exterior, 0-10V & TRIAC & ELV, 96WX2, 100-277V Multi-Volt  
 Driver, Electronic, Exterior, 0-10V & TRIAC & ELV, 96WX3, 100-277V Multi-Volt  
 Driver, Electronic, Exterior, 0-10V & TRIAC & ELV, 96WX4, 100-277V Multi-Volt

<b>ELECTRICAL</b>	<b>INPUT VOLTAGE</b>	100-277V 50/60HZ
	<b>OUTPUT VOLTAGE</b>	24VDC
	<b>PROTECTION</b>	AUTO-RESET SHORT, OVERLOAD, AND THERMAL PROTECTION
	<b>POWER FACTOR</b>	> 0.95
<b>CONTROL</b>	<b>DIMMING</b>	0-10V, ELV, TRIAC
<b>PHYSICAL</b>	<b>FINISH</b>	POWDER COATED
	<b>MOUNTING</b>	SURFACE OR RECESSED WITH #8 OR #10 HARDWARE
	<b>WEIGHT</b>	96WX2 = 5.1LBS (2.3KG), 96WX3 = 5.5LBS, (2.5KG), 96WX4 = 6.2LBS (2.8KG)
	<b>ENVIRONMENT</b>	WET LOCATION IP66 RATED
	<b>OPERATING TEMPERATURE</b>	-4°F TO 122°F (-20°C TO 50°C)

**RATINGS & CERTIFICATIONS**  
 UL LISTED  
 ROHS COMPLIANT



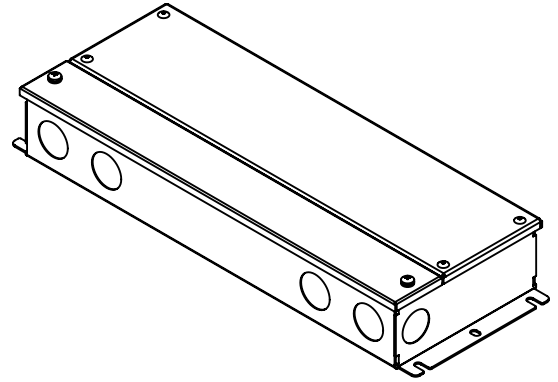
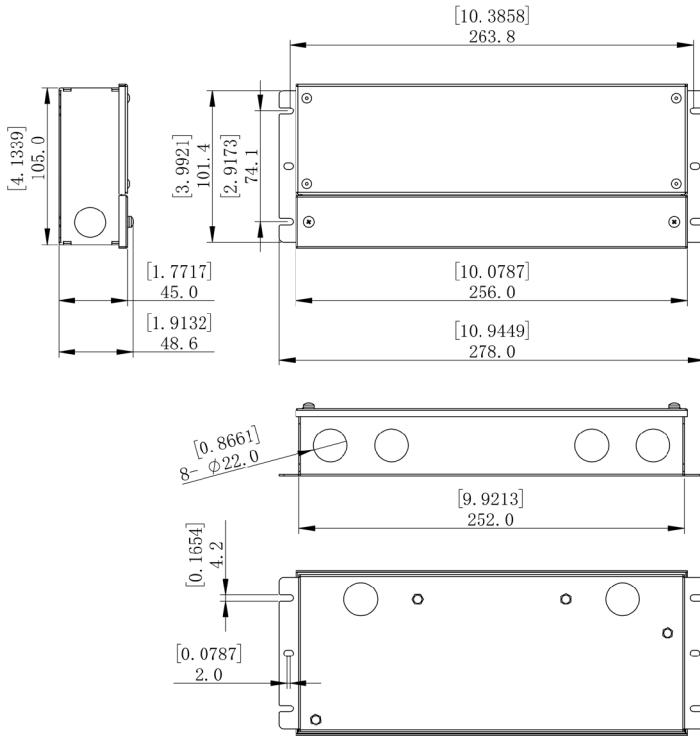
**LIMITED WARRANTY**    5 YEARS

**VOLTAGE DROP CHART - WIRE GAUGE NEEDED FOR WIRE LENGTH FROM FIXTURE TO DRIVER**

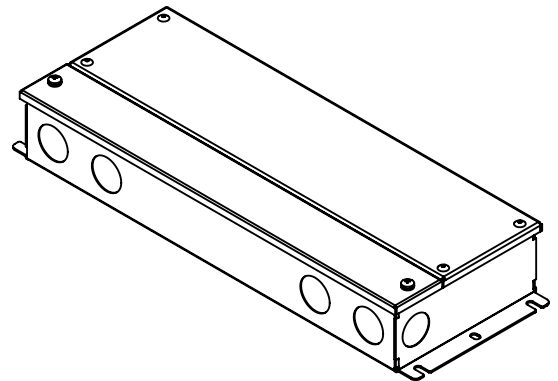
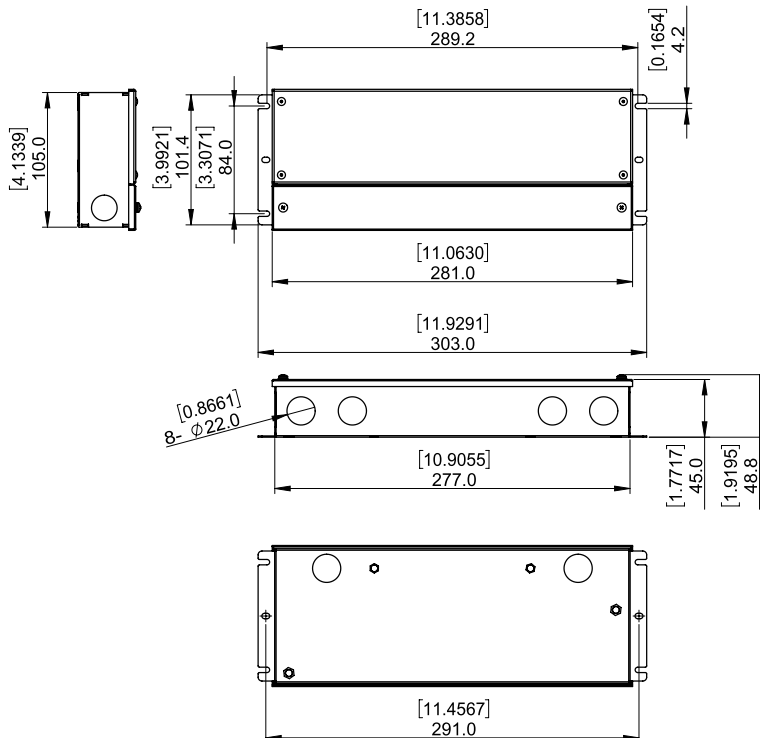
Wire Gauge	Total Wattage per Fixture Run and Single Driver Output									
	10W .42 A	20W .83 A	30W 1.3 A	40W 1.7 A	50W 2.1 A	60W 2.5 A	70W 2.9 A	80W 3.3 A	90W 3.75 A	100W 4.2 A
<b>20 AWG</b>	85 ft.	43 ft.	27 ft.	21 ft.	17 ft.	14 ft.	12 ft.	11 ft.	9 ft.	8 ft.
<b>18 AWG</b>	134 ft.	68 ft.	45 ft.	33 ft.	27 ft.	22 ft.	19 ft.	17 ft.	15 ft.	14 ft.
<b>16 AWG</b>	215 ft.	109 ft.	72 ft.	54 ft.	43 ft.	36 ft.	31 ft.	27 ft.	24 ft.	22 ft.
<b>14 AWG</b>	345 ft.	174 ft.	115 ft.	86 ft.	69 ft.	57 ft.	49 ft.	43 ft.	39 ft.	36 ft.
<b>12 AWG</b>	539 ft.	272 ft.	181 ft.	135 ft.	108 ft.	90 ft.	77 ft.	68 ft.	61 ft.	56 ft.
<b>10 AWG</b>	784 ft.	397 ft.	263 ft.	197 ft.	158 ft.	131 ft.	112 ft.	98 ft.	97 ft.	82 ft.

DATE	PROJECT	FIRM	TYPE
------	---------	------	------

### MULTI-OUTPUT 2 X 96W DRIVER DIMENSIONS



### MULTI-OUTPUT 3 X 96W DRIVER DIMENSIONS



DATE	PROJECT	FIRM	TYPE
------	---------	------	------

**MULTI-OUTPUT 4 X 96W DRIVER DIMENSIONS**

