

DATE	PROJECT	FIRM	TYPE
------	---------	------	------

TROV FLEX INTERNATIONAL DRIVERS ARE OUTDOOR IP67 RATED. PWM MODELS OFFER SMOOTH FLICKER-FREE DIMMING DOWN TO 1% LIGHT OUTPUT. ELG MODELS OFFER LOWER COST ALTERNATIVES WHEN LOW END DIMMING IS NOT NEEDED. BOTH ARE OFFERED IN 0-10V AND DALI OPTIONS ENABLES SIMPLE CONTROLLABILITY FOR MANY APPLICATIONS. ROBUST DESIGN ENSURES LONG LIFE UNDER THE HARSHTEST CONDITIONS.

FEATURES:

- FLICKER-FREE DIMMING DOWN TO 1% LIGHT OUTPUT (PWM MODEL ONLY)
- OUTDOOR IP67 RATED
- 0-10V AND DALI OPTIONS
- 24VDC OUTPUT VOLTAGE
- 5-YEAR WARRANTY
- MULTI-VOLT INPUT 90-305VAC(PWM) 100-305VAC(ELG)
- AUTO-RESET SHORT, OVERLOAD, AND THERMAL PROTECTION
- CE, CCC, AND ENEC RATED



ELECTRONIC ORDERING MODEL NUMBER

DRV-E10-E-100W-100-305-ELG
 DRV-DALI-E-100W-100-305-ELG
 DRV-E10-E-120W-90-305-PWM
 DRV-DALI-E-120W-90-305-PWM

DESCRIPTION

Driver, Electronic, Exterior, 0-10V, 100W, 100-305V Multi-Volt, CE Only
 Driver, Electronic, Exterior, DALI, 100W, 100-305V Multi-Volt, CE Only
 Driver, Electronic, Exterior, 0-10V, 120W, 90-305V Multi-Volt, CE Only
 Driver, Electronic, Exterior, DALI, 120W, 90-305V Multi-Volt, CE Only

ELECTRICAL	INPUT VOLTAGE	ELG (100W) 100-305V, 50/60HZ; PWM (120W) 90-305V 50/60HZ
	OUTPUT VOLTAGE	24VDC
	RATED POWER	ELG (100W) = 96W@200-305V, 70W@100-180V; PWM (120W) = 120W@90-305V (FULLY RATED)
	PROTECTION	AUTO-RESET SHORT, OVERLOAD, AND THERMAL PROTECTION
	POWER FACTOR	> 0.90
	THD	<20%

CONTROL	DIMMING	0-10V, DALI
----------------	----------------	-------------

PHYSICAL	HOUSING	ELG (100W) ANODIZED ALUMINUM; PWM (120W) BLACK PLASTIC
	MOUNTING	SURFACE OR RECESSED
	WEIGHT	ELG (100W) 1.50LBS (0.70KG); PWM (120W) 1.70LBS (0.80KG)
	ENVIRONMENT	IP67 RATED
	OPERATING TEMPERATURE	-40°F TO 122°F (-40°C TO 50°C)

RATINGS & CERTIFICATIONS	UL RECOGNIZED*						
	CB, CE, AND ROHS COMPLIANT						
	CCC, ENEC	*UL RECOGNIZED DRIVERS MUST BE INSTALLED INTO AN ENCLOSURE PER NEC REQUIREMENTS.					

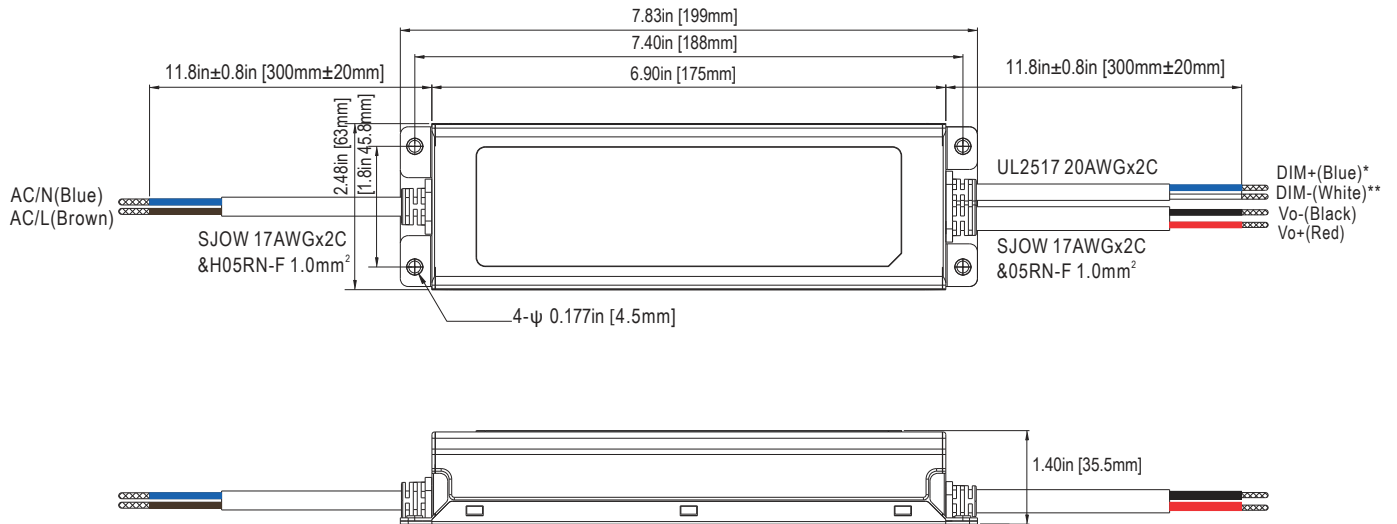
LIMITED WARRANTY 5 YEARS

MAXIMUM DRIVER TO FIXTURE WIRE LENGTH CHART

Wire Gauge	Total Wattage per Fixture Run and Single Driver Output									
	10W .42 A	20W .83 A	30W 1.3 A	40W 1.7 A	50W 2.1 A	60W 2.5 A	70W 2.9 A	80W 3.3 A	90W 3.75 A	100W 4.2 A
20 AWG	85 ft.	43 ft.	27 ft.	21 ft.	17 ft.	14 ft.	12 ft.	11 ft.	9 ft.	8 ft.
18 AWG	134 ft.	68 ft.	45 ft.	33 ft.	27 ft.	22 ft.	19 ft.	17 ft.	15 ft.	14 ft.
16 AWG	215 ft.	109 ft.	72 ft.	54 ft.	43 ft.	36 ft.	31 ft.	27 ft.	24 ft.	22 ft.
14 AWG	345 ft.	174 ft.	115 ft.	86 ft.	69 ft.	57 ft.	49 ft.	43 ft.	39 ft.	36 ft.
12 AWG	539 ft.	272 ft.	181 ft.	135 ft.	108 ft.	90 ft.	77 ft.	68 ft.	61 ft.	56 ft.
10 AWG	784 ft.	397 ft.	263 ft.	197 ft.	158 ft.	131 ft.	112 ft.	98 ft.	97 ft.	82 ft.

DATE	PROJECT	FIRM	TYPE
------	---------	------	------

INTERNATIONAL ELECTRONIC DRIVER WITHOUT ENCLOSURE- ELG (100W)



INTERNATIONAL ELECTRONIC DRIVER WITHOUT ENCLOSURE- PWM (120W)

