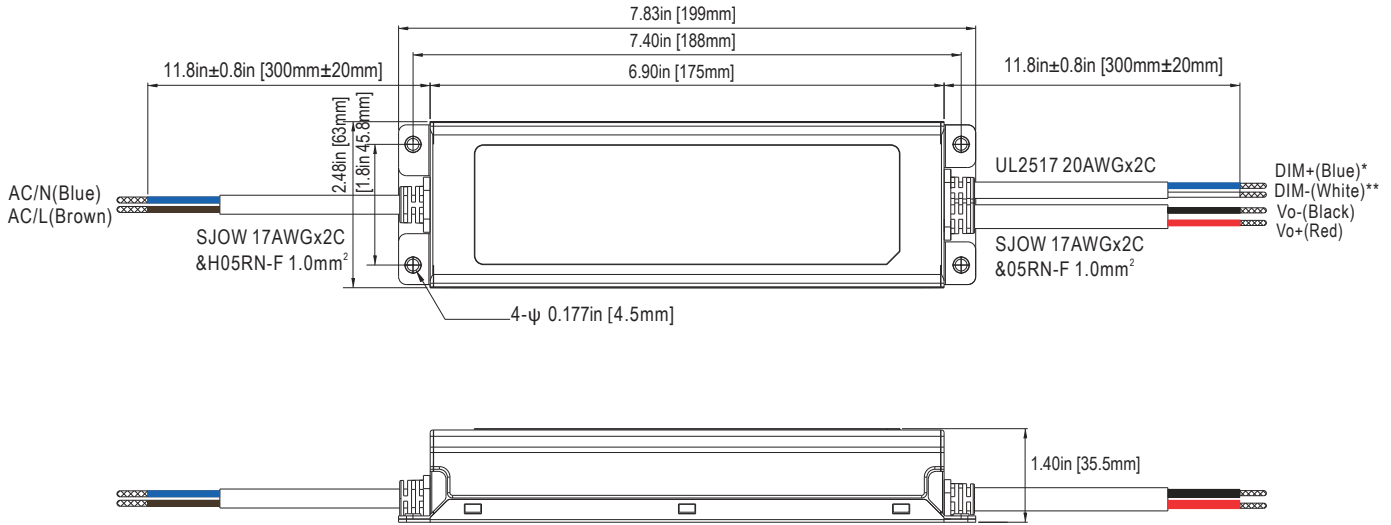


DATE	PROJECT	FIRM	TYPE
------	---------	------	------

INTERNATIONAL ELECTRONIC DRIVER WITHOUT ENCLOSURE- ELG (100W)



INTERNATIONAL ELECTRONIC DRIVER WITHOUT ENCLOSURE- PWM (120W)

