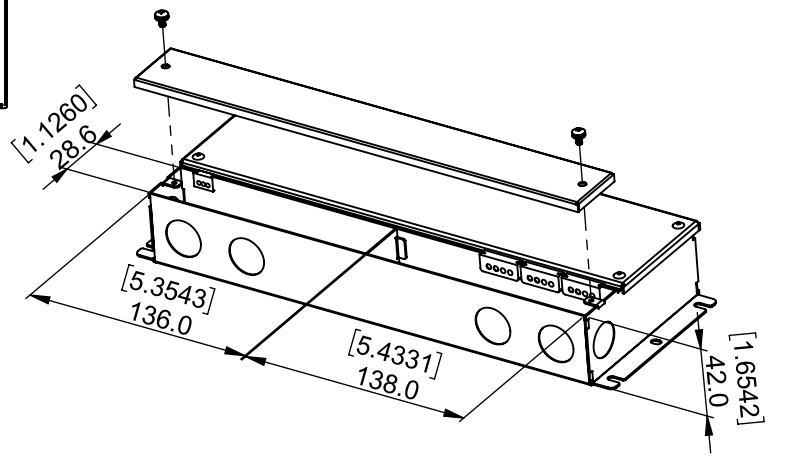
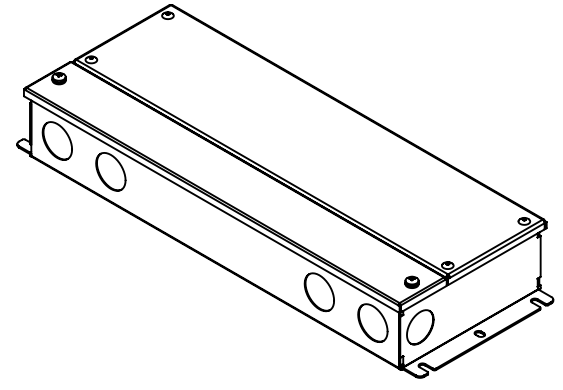
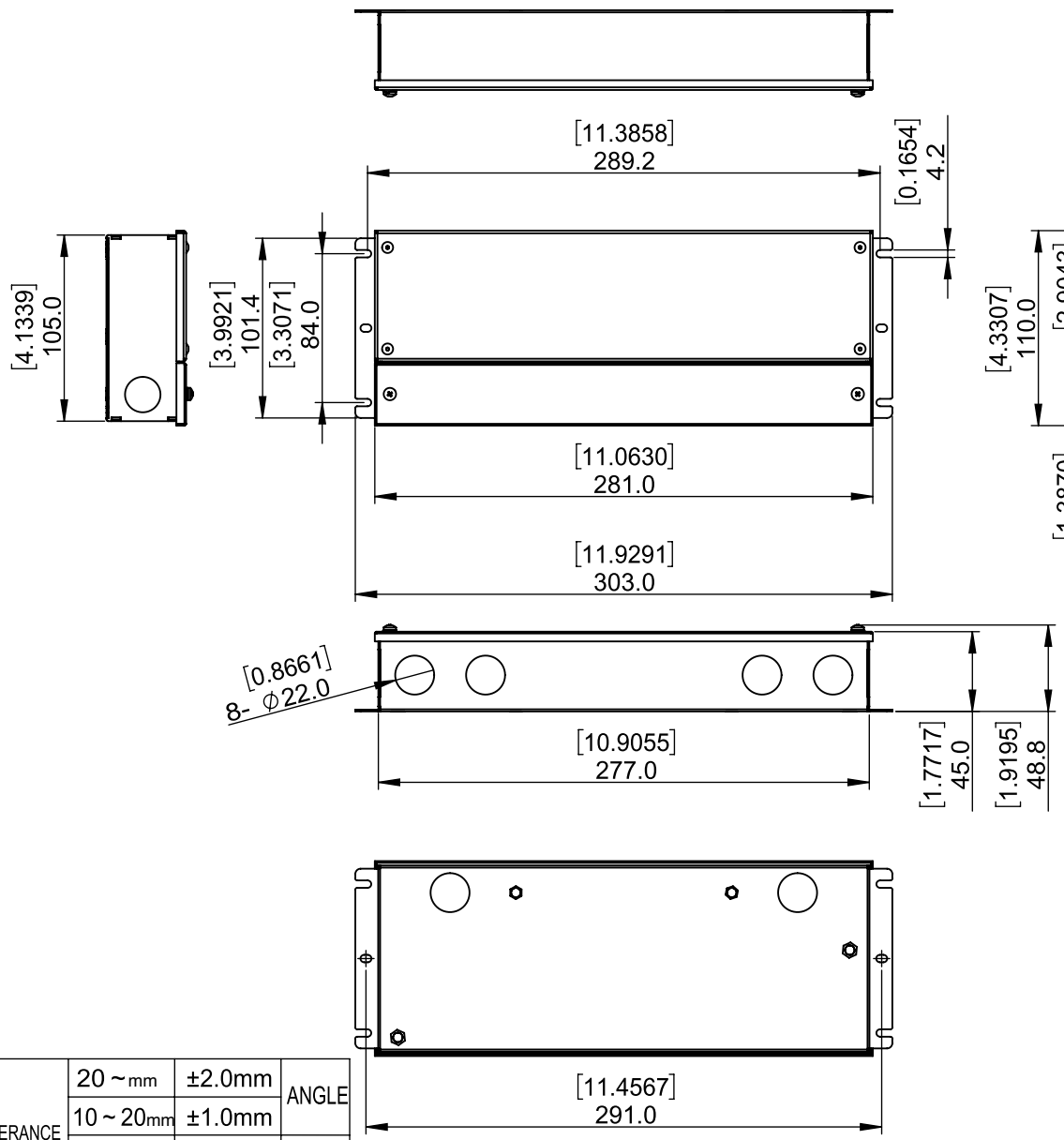


NO.	DESCRIPTION	REASON	DATE	MODIFIER
①				
②				
③				



PRODUCT NAME	X		PRODUCT NO.	x	
DESIGNED	2021-04-01	PART NAME	DRV 96WX3	SHEET	1of1
CHECKED		MATERIAL	X	REV	A0
APPROVED		DRAWING NO	X	SCALE	FIT
TREATMENT	X	PROJ		UNIT	mm/in

ECOSENSE®