

DATE	PROJECT	FIRM	TYPE
------	---------	------	------

TROV CABLES HAVE MULTIVOLT SUPPORT - 110 TO 277 VAC. ONE LEADER CABLE IS NEEDED PER CIRCUIT/FIXTURE RUN.

**FEATURES :**

- COMPATIBLE WITH L35 AND L50 SERIES FIXTURES
- AVAILABE IN 1', 5', 10' AND 50' LENGTHS
- EACH CABLE COMES WITH A MALE CONNECTOR ON ONE END AND A FEMALE CONNECTOR ON THE OTHER
- 10' AND 50' CABLES CAN BE USED AS LEADER CABLES. THEY COME WITH TWO TERMINATOR CAPS - MALE AND FEMALE
- 1' AND 5' ARE INTENDED AS JUMPER CABLES NEED TO ORDER TERMINATOR CAPS SEPARATELY TO USE THESE AS LEADER CABLES
- ALSO AVAILABLE ARE 1' CABLES WITH SAME CONNECTORS ON BOTH ENDS
- ADJUSTABLE CABLE CAN BE USED FOR SMALL GAPS BETWEEN FIXTURES FROM 0" TO 7"
- NOT PLENUM RATED



PHYSICAL	DIMENSIONS	Nominal OD 0.300", Length 1'5'/10'/50' ; (OD 7.62mm, L 0.304m/1.524m/3.048m/15.24m)
	MATERIAL	Cable 14 AWG 19x.0126" BC, 15 mils PVC insulation, tissue paper separator, 30 mils pressured UV Res. black PVC jacket
		Connector Mold using Santoprene, 101-80 Black (80A Hardness), Insert glass reinforced, Polyamide 66, Black-Mapex A0520FN or equivalent

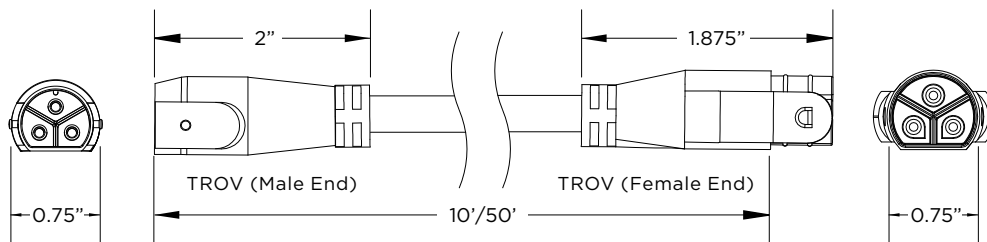
ONE LEADER CABLE IS REQUIRED PER FIXTURE RUN. THE FOLLOWING TABLE SHOWS THE MAXIMUM NUMBER OF FIXTURES PER RUN

**MAX FIXTURE RUN LENGTH**

Volts	2W/LF		4W/LF		6W/LF		8W/LF		10W/LF		12W/LF	
	Max Run all 1'	Max Run all 4'	Max Run all 1'	Max Run all 4'	Max Run all 1'	Max Run all 4'	Max Run all 1'	Max Run all 4'	Max Run all 1'	Max Run all 4'	Max Run all 1'	Max Run all 4'
120	214	214	186	186	152	152	114	114	91	91	76	76
220	374	392	340	340	277	277	209	209	95	167	95	139
277	374	494	374	428	349	349	263	263	95	190	95	175

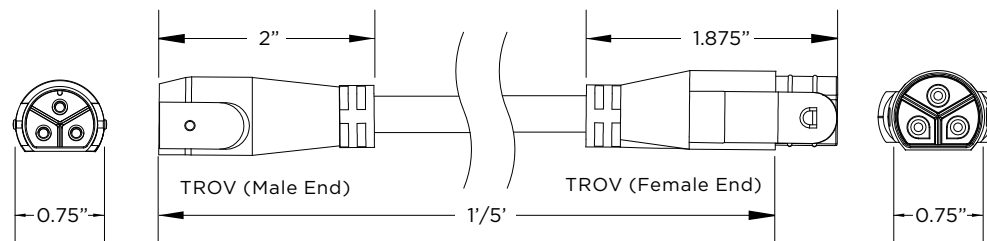
**CBL-3P-L-UNV-10 / CBL-3P-L-UNV-50 - TROV LEADER CABLE**

Intended to be used as leader cables. Comes with two terminator caps - Female and Male



**CBL-3P-L-UNV-01 / CBL-3P-L-UNV-05 - TROV JUMPER CABLES**

Intended to be used as jumper cables. Need to order terminator caps separately if these are used as leader cables



LIMITED WARRANTY 5 YEARS

ECOSENSE LIGHTING INC.  
837 NORTH SPRING STREET  
SUITE 103  
LOS ANGELES, CA 90012

P • 310.496.6255  
F • 310.496.6256  
T • 855.632.6736  
855.6.ECOSEN

SPECIFICATIONS SUBJECT TO CHANGE WITHOUT NOTICE. VISIT [ECOSENSELIGHTING.COM](http://ECOSENSELIGHTING.COM) FOR THE MOST CURRENT SPECIFICATIONS.  
© 2018 ECOSENSE LIGHTING INC. ALL RIGHTS RESERVED. ECOSENSE, THE ECOSENSE LOGO, RISE, TROV AND ECOSPEC ARE REGISTERED TRADEMARKS OF ECOSENSE LIGHTING INC.  
FREEDOM TO CREATE™

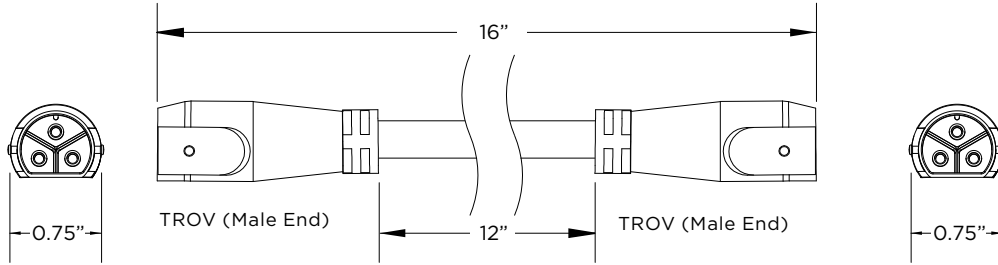
[ECOSENSELIGHTING.COM](http://ECOSENSELIGHTING.COM)

1/2

DATE	PROJECT	FIRM	TYPE
------	---------	------	------

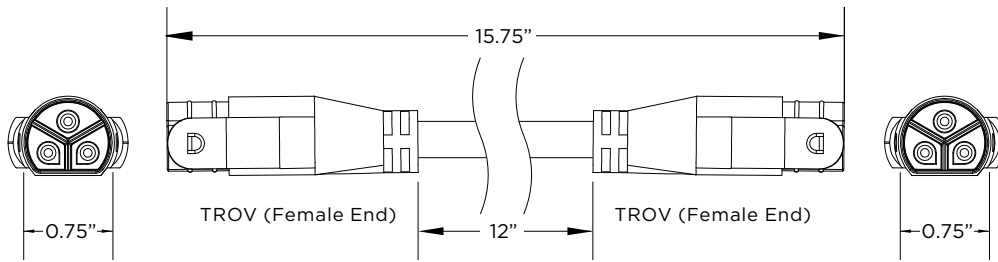
**CBL-3P-L-UNV-01-MM** - TROV Male to Male Connector

For use when connecting a TROV run that ends with a female connector to a run that starts with a female connector



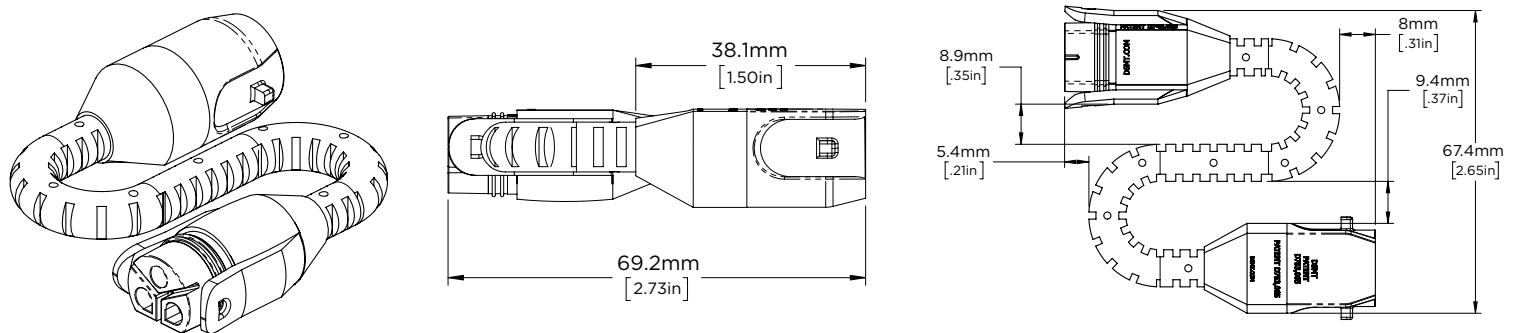
**CBL-3P-L-UNV-01-FF** - TROV Female to Female Connector

For use when connecting a TROV run that ends with a male connector to a run that starts with a male connector



**CBL-3P-L-UNV-ADJ** - TROV ADJUSTABLE JUMPER

For use when a small gap ranging from 0" to 7" between fixtures is needed.



ORDERING

PART NUMBER	DESCRIPTION
CBL-3P-L-UNV-50	50 FOOT LEADER CABLE FOR TROV FIXTURES
CBL-3P-L-UNV-10	10 FOOT LEADER CABLE FOR TROV FIXTURES
CBL-3P-L-UNV-05	5 FOOT JUMPER CABLE FOR TROV FIXTURES
CBL-3P-L-UNV-01	1 FOOT JUMPER CABLE FOR TROV FIXTURES
CBL-3P-L-UNV-01-MM	1 FOOT MALE TO MALE CONNECTOR
CBL-3P-L-UNV-01-FF	1 FOOT FEMALE TO FEMALE CONNECTOR
CBL-3P-L-UNV-ADJ	0 TO 7 INCH ADJUSTABLE JUMPER FOR TROV FIXTURES

ECOSENSE LIGHTING INC.  
837 NORTH SPRING STREET  
SUITE 103  
LOS ANGELES, CA 90012

P • 310.496.6255  
F • 310.496.6256  
T • 855.632.6736  
855.6.ECOSEN

SPECIFICATIONS SUBJECT TO CHANGE WITHOUT NOTICE. VISIT  
ECOSENSELIGHTING.COM FOR THE MOST CURRENT SPECIFICATIONS.  
© 2018 ECOSENSE LIGHTING INC. ALL RIGHTS RESERVED. ECOSENSE,  
THE ECOSENSE LOGO, RISE, TROV AND ECOSPEC ARE REGISTERED  
TRADEMARKS OF ECOSENSE LIGHTING INC.  
FREEDOM TO CREATE™

ECOSENSELIGHTING.COM

2/2