



EcoSense Lighting Fixtures must be installed by a qualified electrician.

EcoSense Lighting, Inc. is not responsible if its fixtures are not installed in accordance with all national and local safety standards.

**INCLUDED IN BOX**

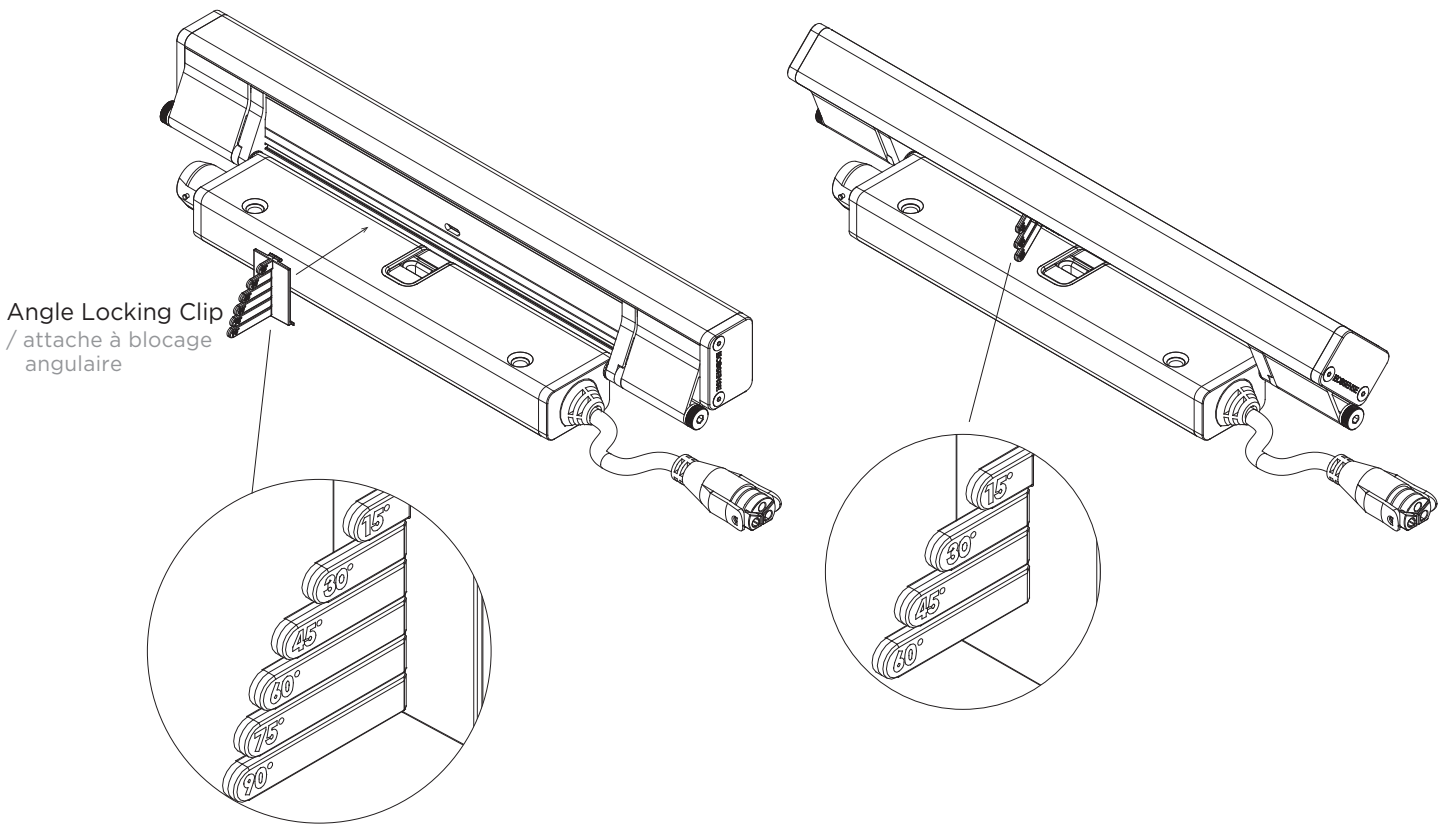
**Angle Lock Clip  
Installation Guide**

**NOTE**

- The angle lock clip works the same with L35 and L50. Only one angle lock clip is needed per fixture.

**INSTALL THE FIXTURES**

Step 1: Select desired angle to be locked then snap off the higher angle tabs.  
For example, if 60 degrees is the desired angle, snap off 90 and 75.



Angle Locking Clip  
/ attache à blocage  
angulaire