



**SORAA BRILLIANT HL™**

The Soraa Brilliant HL single-source COB lamp combines Soraa's world-class optics design and driver technology with a photopically efficacious LED

**SORAA POINT SOURCE OPTICS™**

With a point source and sophisticated folded optics, Soraa creates very controlled beam angles from 9 to 60 degrees, even in challenging form factors resulting in smooth uniform beams and crisp shadows

**ENERGY EFFICIENCY AND LONG LIFE**

85% more energy efficient than standard halogen lamps  
 Typical payback of one year or less  
 Rated lifetime to L70: 35,000hrs  
 Warranty: 3yrs or 25,000hrs whichever comes first  
 Warranty information: [soraa.com/resources/legal](http://soraa.com/resources/legal)

**ACCESSORIES**

Narrow spot compatible with the Soraa SNAP System™

**GENERAL SPECIFICATIONS**

**Form Factor**

Width: 122mm (4.80")  
 Height: 125mm (4.92")  
 Weight: 295g

**Operating Temperature**

Minimum: -40°C (ambient)  
 Typical: 60°C - 70°C (base)  
 Maximum: 80°C (base)

**Electrical**

Wattage: 14 W  
 Power factor: 0.97  
 Voltage: 120V +/- 12V  
 Frequency: 50/60Hz

**Dimming and Flicker**

T24/JA8 compliant.  
 Please reference our compatibility chart for dimmer and transformer information.

Output Range	1190 - 1230 lumen
Beam Angle Range	9°, 25°, 36°, 60°
Color Metrics	CCT: 2700K, 3000K Color Rendering CIE Metrics: CRI 92, R9 50
Application	Halogen replacement for indoor and outdoor applications



**HIGHLY COMPATIBLE**

Thermally and geometrically compatible with standard fixtures and suitable for damp locations  
 Suitable for fully enclosed fixtures. Can be used with front glass cover  
 Works with trailing edge and leading edge phase cut dimmers (see [www.soraa.com/resources](http://www.soraa.com/resources))

**INTENDED USE AND APPLICATIONS**

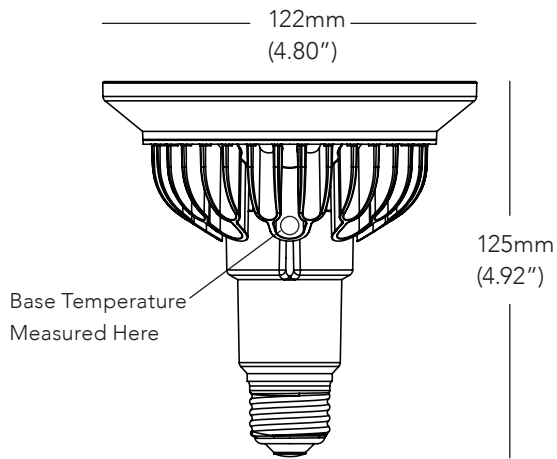
Intended for use in PAR38 compatible recessed downlights, track lighting and other indoor and outdoor applications  
 Soraa lamps are designed to safely turn down in any thermal environment not conducive to minimum airflow or proper ventilation

**CERTIFICATIONS**

Title 20 compliant, RoHS, CE, UL/CUL, FCC Title 47 Part 15B

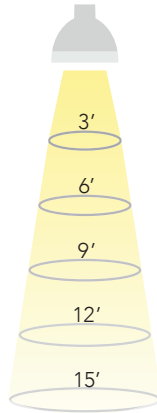


## DIMENSIONS



### 9 DEGREE BEAM

Beam Dia at 50% CBCP (ft)	Field Dia at 10% CBCP (ft)	Foot-candles (% of CBCP)
0.5	0.8	8.6%
0.9	1.7	2.5%
1.4	2.5	1.2%
1.9	3.4	0.7%
2.4	4.2	0.4%

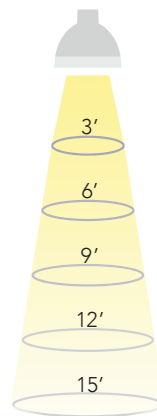


### 25 DEGREE BEAM

Beam Dia at 50% CBCP (ft)	Field Dia at 10% CBCP (ft)	Foot-candles (% of CBCP)
1.3	2.2	8.6%
2.7	4.4	2.5%
4.0	6.6	1.2%
5.3	8.7	0.7%
6.7	10.9	0.4%

### 36 DEGREE BEAM

Beam Dia at 50% CBCP (ft)	Field Dia at 10% CBCP (ft)	Foot-candles (% of CBCP)
1.9	3.5	8.6%
3.9	6.9	2.5%
5.8	10.4	1.2%
7.8	13.9	0.7%
9.7	17.3	0.4%



### 60 DEGREE BEAM

Beam Dia at 50% CBCP (ft)	Field Dia at 10% CBCP (ft)	Foot-candles (% of CBCP)
3.5	6.0	8.6%
6.9	12.0	2.5%
10.4	18.0	1.2%
13.9	24.0	0.7%
17.3	30.0	0.4%

Note: Footcandles may be calculated by multiplying the CBCP of the desired model number by the percentage in the tables above

## SPECIFICATIONS BY MODEL NUMBER\* SORAA LED PAR38 14W 120V

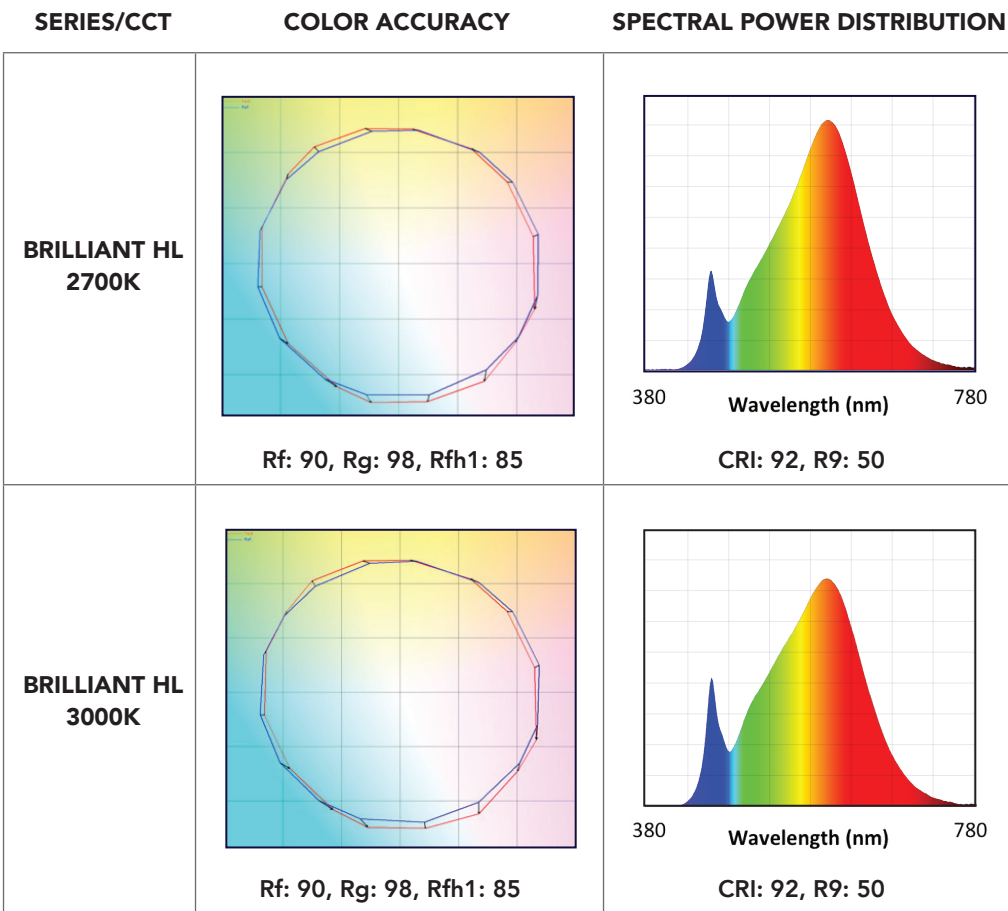
Model #	Product Code	CCT (K)	Beam Angle	Field Angle	CBCP (Cd)	Halogen Equiv	Total Flux (Lm)	Efficacy (Lm/W)	CRI	McA	SNAP	Title 20
---------	--------------	---------	------------	-------------	-----------	---------------	-----------------	-----------------	-----	-----	------	----------

### BRILLIANT HL SERIES

SP38-14-09D-827-H1	11277	2700	9	16	22015	120	1190	87	92	3	Yes	Compliant
SP38-14-25D-827-H1	11265	2700	25	40	6425	120	1190	87	92	3	-	Compliant
SP38-14-36D-827-H1	11267	2700	36	60	2975	120	1190	87	92	3	-	Compliant
SP38-14-60D-827-H1	11269	2700	60	90	1310	120	1190	87	92	3	-	Compliant
SP38-14-09D-830-H1	11279	3000	9	16	22755	120	1230	90	92	3	Yes	Compliant
SP38-14-25D-830-H1	11271	3000	25	40	6640	120	1230	90	92	3	-	Compliant
SP38-14-36D-830-H1	11273	3000	36	60	3075	120	1230	90	92	3	-	Compliant
SP38-14-60D-830-H1	11275	3000	60	90	1350	120	1230	90	92	3	-	Compliant

CCT: Correlated Color Temperature **McA**: White Point Accuracy in McA step **SNAP**: SORAA SNAP System Compatible

\*Specifications are at stable warm operating conditions (25°C ambient)



Rf: TM-30 metric measuring color fidelity (whether colors are similar to those under natural light). Rf is a more accurate version of the CRI Ra. Rf is 100 for natural light.

Rg: TM-30 metric measuring color gamut (whether colors are more saturated than under natural light). Rg is 100 for natural light.

Rfh1: TM-30 metric measuring color fidelity for red tones. Rfh1 is a more accurate version of the CRI R9. Rfh1 is 100 for natural light.