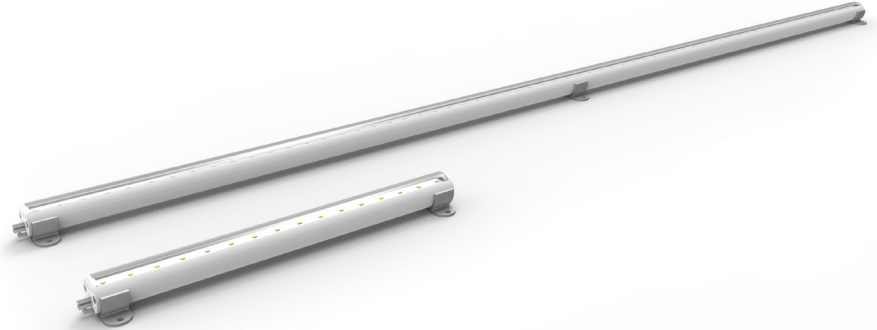


DATE	PROJECT	FIRM	TYPE
------	---------	------	------

SLIM COVE DIM IS THE SMALLEST, LINE-VOLTAGE, 800 LUMEN/FOOT, LUMINAIRE ON THE MARKET. SINGLE BINNING DELIVERS SUPERIOR COLOR QUALITY AND COLOR CONSISTENCY BETWEEN ALL ECOSENSE PRODUCTS.

FEATURES :

- DIM TO 10%, ELV REVERSE PHASE
- ULTRA LOW PROFILE MAINTAINED WHILE AIMING
- +100 LM/W
- MULTI-VOLT 120-277VAC
- SINGLE BIN COLOR MATCHES TROV
- 4 CCT OPTIONS
- 80+ CRI



MODEL	POWER	LENGTH	CCT	VOLTAGE
SCD	H - High Output	12 - 12" 48 - 48"	27 - 2700K 30 - 3000K 35 - 3500K 40 - 4000K	MULT (120-277VAC)

EXAMPLE: SCD-H-12-27-MULT

PERFORMANCE	POWER	WATTS	OPTIC	CCT	LUMEN OUTPUT	EFFICACY
	H	8W	120°	2700K	715 lm/LF (2346 lm/m)	89 lm/W
	H	8W	120°	3000K	800 lm/LF (2625 lm/m)	100 lm/W
	H	8W	120°	3500K	820 lm/LF (2690 lm/m)	103 lm/W
	H	8W	120°	4000K	790 lm/LF (2592 lm/m)	99 lm/W

COLOR RENDERING INDEX 80+
COLOR CONSISTENCY SINGLE BIN 2-STEP MACADAM ELLIPSE

LUMEN DEPRECIATION / RATED LIFE	AMBIENT	L70 (hr)	L80 (hr)	L90 (hr)
	77°F (25°C)	80,000	50,000	25,000
	122°F (50°C)	63,000	35,000	19,000

*CALCULATIONS FOR LED LIFE ARE BASED ON MEASUREMENTS THAT COMPLY WITH IES LM-80 TESTING PROCEDURES AND IES TM-21 CALCULATOR

ELECTRICAL	POWER CONSUMPTION	8W/LF (26W/m)
	MAX FIXTURE RUN LENGTH	120V = 65ft (19.8m) ; 220V = 125ft (38.1m) ; 277V = 150ft (45.7m)
	POWER FACTOR	>0.7
	OPERATING VOLTAGE	120-277VAC, 50/60 Hz
	DRIVER	INTEGRAL TO FIXTURE; DE-RATED
	STARTUP TEMPERATURE	-40°F TO 122°F (-40°C TO 50°C)
	OPERATING TEMPERATURE	-40°F TO 122°F (-40°C TO 50°C)
	STORAGE TEMPERATURE	-40°F TO 176°F (-40°C TO 80°C)

CONTROL	DIMMING	ELV TYPE 10%-100%, REVERSE PHASE, TRAILING EDGE
---------	---------	---

ECOSENSE LIGHTING INC.
837 NORTH SPRING STREET
SUITE 103
LOS ANGELES, CA 90012

P • 310.496.6255
F • 310.496.6256
T • 855.632.6736
855.6.ECOSEN

SPECIFICATIONS SUBJECT TO CHANGE WITHOUT NOTICE. VISIT ECOSENSELIGHTING.COM FOR THE MOST CURRENT SPECIFICATIONS. FOR A LIST OF PATENTS VISIT ECOSENSELIGHTING.COM/IP-PORTFOLIO/
©2018 ECOSENSE LIGHTING INC. ALL RIGHTS RESERVED. ECOSENSE, THE ECOSENSE LOGO, TROV, TROV AND ECOSPEC ARE REGISTERED TRADEMARKS OF ECOSENSE LIGHTING INC.
RISE™, SLIM COVE™, FREEDOM TO CREATE™, MACRO™, FLIP-TO-FLAT™ ARE TRADEMARKS OF ECOSENSE LIGHTING INC.

ECOSENSELIGHTING.COM

1/2

DATE	PROJECT	FIRM	TYPE
------	---------	------	------

PHYSICAL	DIMENSIONS	W 1.6" x H 1.16" x L 12"/48" ; (41.6mm x 29.5mm x 304.7mm/1201mm)
	HOUSING/LENS	EXTRUDED POLYCARBONATE HOUSING AND LENS
	WEIGHT	0.313lbs / 0.141kg (1ft) / 0.113lbs / 0.504kg (4ft)
	CONNECTORS	INTEGRAL MALE/ FEMALE CONNECTORS
	ENVIRONMENT	INDOOR • ETL CERTIFIED FOR DRY/DAMP LOCATIONS IP40 AND IMPACT RATED AT IK07
	MOUNTING OPTIONS	INCLUDES EASY TO INSTALL MOUNTING CLIPS THAT ALLOW 50 DEGREE ADJUSTABILITY

FIXTURE RATING & CERTIFICATIONS
 CE, ETL CERTIFIED
 RoHS COMPLIANT
 ENERGY STAR COMPLIANT



IP40 IK07

LIMITED WARRANTY 5 YEARS

WIRING OPTIONS (UNIVERSAL) 120-277VAC

Cable Assembly, 2-Pin, White, Leader, Universal Voltage, with Terminator Cap, 10 feet	CBL-2P-LWH-LDR-UNV-10
Cable Assembly, 2-Pin, White, Jumper, Universal Voltage, 5 feet	CBL-2P-LWH-JMP-UNV-5
Cable Assembly, 2-Pin, White, Jumper, Universal Voltage, 1 foot	CBL-2P-LWH-JMP-UNV-1
Cable Assembly, 2-Pin, White, Jumper, Universal Voltage, 3 inch	CBL-2P-LWH-JMP-UNV-03

0-10V CONTROL OPTIONS

100-120VAC / 277VAC Linear Dimming Control Module 0-10V - Plenum Rated	LDCM-PL-120-277-010V-GR
--	-------------------------

All products come standard with ELV dimming capabilities. 0-10V Control options required for operation at 0-10V.

OPTIONAL ACCESSORIES

Mounting

Mounting track, 48 inch **SCD-A-MNT-TRK-48** MOUNTING TRACK IS 48" LONG AND IS FIELD CUTABLE. THE MOUNTING FEET THAT ARE INCLUDED WITH THE FIXTURES CLIP INTO THE TRACK. NO ADDITION PARTS NEEDED.

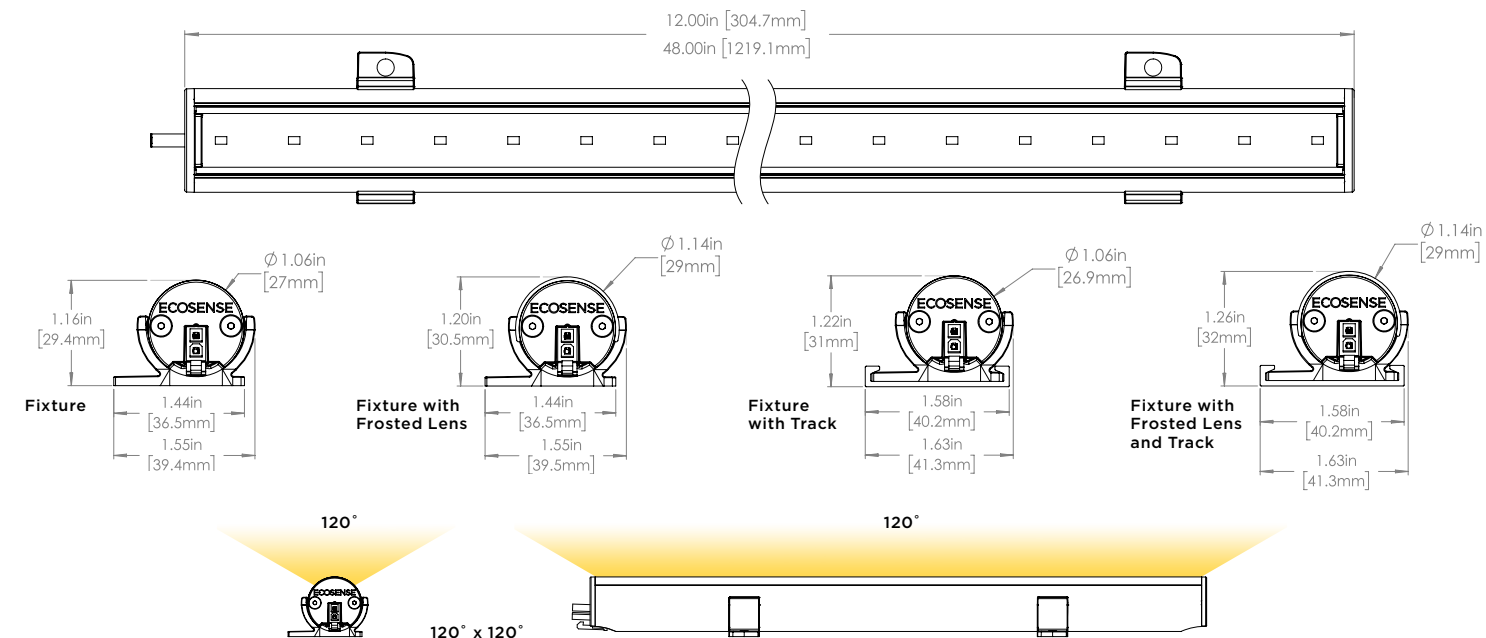
Snap-on Lenses

Snap-on Lens, Frosted, 12 inch, SCD **SCD-A-FRLS-12** SNAP-ON LENSES NEED = ONE 12" LENS IS NEEDED PER 12" FIXTURE AND ONE 48" LENS IS NEEDED PER 48" FIXTURE. FROSTED LENSES ARE 20% DIFFUSE.

Snap-on Lens, Frosted, 48 inch, SCD **SCD-A-FRLS-48**

Wire Box

Conduit Connection Wire Box, SCD, White **SCD-A-WIREBOX** WIRE BOX CAN BE USED INSTEAD OF A LEADER CABLE TO START A RUN. 1/2" CONDUIT FITTING CAN ATTACH DIRECTLY TO THE BOX ON ONE END AND THE FIXTURE TO THE OTHER



ECOSENSE LIGHTING INC.
 837 NORTH SPRING STREET
 SUITE 103
 LOS ANGELES, CA 90012

P • 310.496.6255
F • 310.496.6256
T • 855.632.6736
 855.6.ECOSEN

SPECIFICATIONS SUBJECT TO CHANGE WITHOUT NOTICE. VISIT ECOSENSELIGHTING.COM FOR THE MOST CURRENT SPECIFICATIONS. FOR A LIST OF PATENTS VISIT ECOSENSELIGHTING.COM/IP-PORTFOLIO/
 ©2018 ECOSENSE LIGHTING INC. ALL RIGHTS RESERVED. ECOSENSE, THE ECOSENSE LOGO, TROY, TROY AND ECOSPEC ARE REGISTERED TRADEMARKS OF ECOSENSE LIGHTING INC.
 RISE™, SLIM COVE™, FREEDOM TO CREATE™, MACRO™, FLIP-TO-FLAT™ ARE TRADEMARKS OF ECOSENSE LIGHTING INC.

ECOSENSELIGHTING.COM

2/2