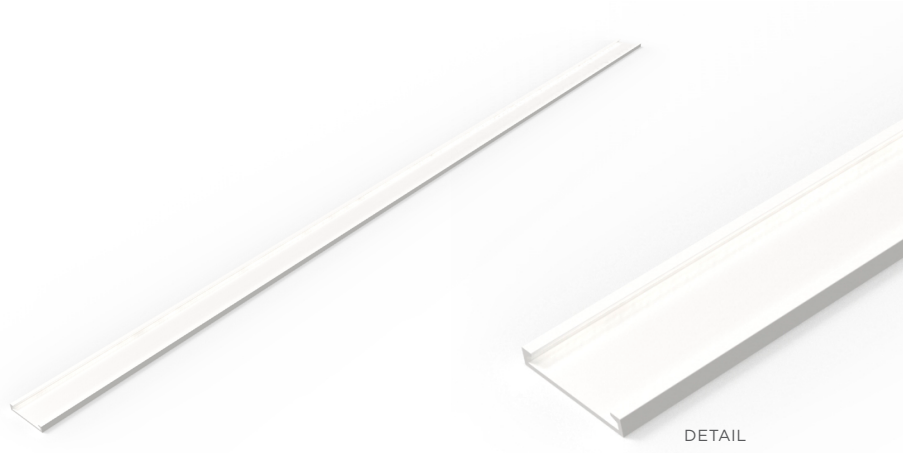


DATE	PROJECT	FIRM	TYPE
------	---------	------	------

SLIM COVE DIM MOUNTING TRACK IS USED WHEN THE MOUNTING NEEDS TO BE DONE BEFORE THE FIXTURES ARE INSTALLED. THE TRACK CAN BE SCREWED INTO PLACE BEFORE THE SPACE IS FINISHED. PAINTING AND PLASTERING CAN BE DONE WITH THE TRACK INSTALLED. THE FIXTURE MOUNTING CLIPS ARE TWISTED AND LOCKED INTO THE TRACK AND THEN THE FIXTURE IS SNAPPED ON TO THE CLIPS MAKING FINAL INSTALLATION EASIER.

**FEATURES :**

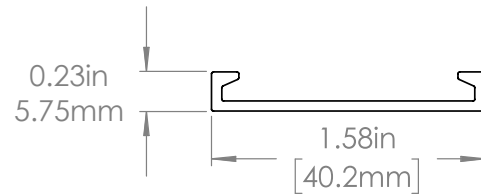
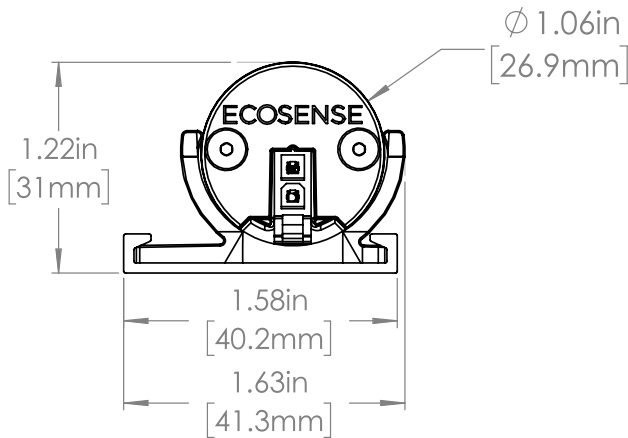
- 48" LENGTHS CAN BE FIELD CUT TO SIZE



<b>PHYSICAL</b>	<b>DIMENSIONS</b> <b>MATERIAL</b>	W 1.58" x H 0.23" x L 48" ; (40.20mm x 5.75mm x 1201mm) APPROX POLYCARBONATE
-----------------	--------------------------------------	---

**MOUNTING TRACK AND FIXTURE**

**MOUNTING TRACK**



**ORDERING**

PART NUMBER	DESCRIPTION
SCD-A-MNT-TRK-48	SLIM COVE DIM MOUNTING TRACK, 48 INCH, WHITE

MOUNTING TRACK IS FIELD CUTTABLE. IF SHORTER LENGTHS ARE NEED ORDER THE 48 INCH TRACK AND CUT IT IN THE FIELD.

**LIMITED WARRANTY**      **5 YEARS**

**ECOSENSE** LIGHTING INC.  
837 NORTH SPRING STREET  
SUITE 103  
LOS ANGELES, CA 90012

**P** • 310.496.6255  
**F** • 310.496.6256  
**T** • 855.632.6736  
855.6.ECOSEN

SPECIFICATIONS SUBJECT TO CHANGE WITHOUT NOTICE. VISIT [ECOSENSELIGHTING.COM](http://ECOSENSELIGHTING.COM) FOR THE MOST CURRENT SPECIFICATIONS. FOR A LIST OF PATENTS VISIT [ECOSENSELIGHTING.COM/IP-PORTFOLIO/](http://ECOSENSELIGHTING.COM/IP-PORTFOLIO/)  
©2017 ECOSENSE LIGHTING INC. ALL RIGHTS RESERVED. **ECOSENSE**, THE **ECOSENSE** LOGO, **TROY**, **TROY** AND **ECOSPEC** ARE REGISTERED TRADEMARKS OF ECOSENSE LIGHTING INC.  
**RISE™**, **SLIM COVE™**, **FREEDOM TO CREATE™**, **MACRO™**, **FLIP-TO-FLAT™** ARE TRADEMARKS OF ECOSENSE LIGHTING INC.

[ECOSENSELIGHTING.COM](http://ECOSENSELIGHTING.COM)

1/1