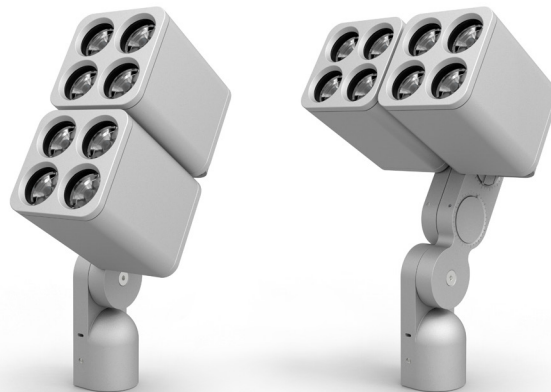


DATE	PROJECT	FIRM	TYPE
------	---------	------	------

RISE IS A SYSTEM OF BEAUTIFULLY DESIGNED OUTDOOR RATED LUMINAIRE THAT PROVIDE EFFICIENT AND POWERFUL LIGHT USING THE LATEST IN LED TECHNOLOGY. RISE F170 DUO IS A UNIQUE CONFIGURATION THAT PAIRS UP TWO RISE F170 SINGLES ALLOWING YOU TO DOUBLE YOUR LUMEN POWER, DELIVERING UP TO 5600 LUMENS. THIS UNIQUE FIXTURE CAN BE USED TO POWERFULLY LIGHT ONE OBJECT OR AIMED SEPARATELY, ALLOWING YOU TO ILLUMINATE MULTIPLE APPLICATIONS. THIS POWERFUL AND COMPACT LED LIGHT FIXTURE CAN BE USED IN SPOT, ACCENT, LANDSCAPE, ARCHITECTURAL, AND FLOODLIGHT APPLICATIONS. ITS UNIQUE MACRO™ LOCK FEATURE ALLOWS FOR FULL 180 DEGREE TILT AND 360 DEGREE PAN AIMABILITY OF EACH FIXTURE HEAD USING ONLY ONE TOOL.

FEATURES :

- UNIQUE BRACKETRY DESIGN FOR DUAL HEAD, SINGLE POINT INSTALLATION
- MACRO™ LOCK - 180° TILT AND 360° PAN
- POWERFULL OUTPUT 2400-5600LMS
- 11 UNIQUE BEAM ANGLES
- MULTIVOLT (110V-277V)
- 8 CCTS: 2200K THROUGH 6500K
- 80+ AND 90+ CRI
- DIMMABLE TO 5%
- IP66 RATED



FIXTURE MODEL	FIXTURE CONFIG.	POWER/LUMEN OUTPUT*	CCT/COLOR	CRI	BEAM ANGLE	FINISHES	ACCESSORIES	WIRING AND MOUNTING
F170	2V - 2 Heads, Vertical Orientation 2H - 2 Heads, Horizontal Orientation	LO - Low Output MO - Medium Output HO - High Output	22 - 2200K 25 - 2500K 27 - 2700K 30 - 3000K 35 - 3500K 40 - 4000K 50 - 5000K 65 - 6500K RD - Red GR - Green BL - Blue AM - Amber	8 - 80 9 - 90+ X - For RD, GR, BL, AM *90 CRI not available in 2200K, 2500K, 5000K, and 6500K	05 - Laser Spot (5°) 10 - Very Narrow Spot (10°) 15 - Narrow Spot (15°) 20 - Spot (20°) 40 - Flood (40°) 60 - Wide Flood (60°) 80 - Very Wide Flood (80°) E1 - Elliptical 1 (15°x60°) E2 - Elliptical 2 (30°x60°) E3 - Elliptical 3 (60°x15°) E4 - Elliptical 4 (60°x30°)	K - Black Z - Bronze S - Silver W - White C - Custom* Provide RAL #	X - No Accessory H - Half Snoot F - Full Snoot Will ship as X if not specified	C - 10' External (Exterior Rated Cable) Bottom Exit; UL/CE Rated

*SEE PHOTOMETRY CHART FOR LUMEN DATA

PERFORMANCE	WATTS	POWER	LUMEN OUTPUT	OPTIC	EFFICACY	CBCP
	26	Low Output	2,515	5°	97	144,975
	52	Medium Output	4,262	5°	82	245,682
	78	High Output	5,756	5°	74	331,782

ALL LUMEN DATA IS FROM 4000K 80CRI FIXTURES. PLEASE SEE PHOTOMETRY SPEC SHEET FOR ADDITIONAL LUMEN DATA.

COLOR RENDERING INDEX COLOR CONSISTENCY LUMEN DEPRECIATION	80+, 90+ 3-STEP MACADAM ELLIPSE				
	WATTS	L70 @ 25C	L70 @ 50C	L90 @ 25C	L90 @ 50C
LOW	>60,500* >(109,000)**	>60,500* >(109,000)**	>60,500* >(109,000)**	>60,500* >(109,000)**	>60,500* >(109,000)**
MEDIUM	>60,500* >(109,000)**	>60,500* >(109,000)**	>60,500* >(109,000)**	>60,500* >(109,000)**	>60,500* >(109,000)**
HIGH	>60,500* >(181,000)**	>36,300*	>60,500* >(69,800)**	>60,500*	>33,200*

* ENERGY STAR REPORTED TESTING HOURS TO DATE. CALCULATIONS FOR LED FIXTURES ARE BASED ON MEASUREMENTS THAT COMPLY WITH IES LM-80 TESTING PROCEDURES AND IES TM-21 CALCULATOR
** ESTIMATED HOURS

NOTE: Information on this Spec Sheet is subject to change, please visit ecosenselighting.com/downloads/rise for the most updated information.

ECOSENSE LIGHTING INC.
837 NORTH SPRING STREET
SUITE 103
LOS ANGELES, CA 90012

P • 310.496.6255
F • 310.496.6256
T • 855.632.6736
855.6.ECOSEN

SPECIFICATIONS SUBJECT TO CHANGE WITHOUT NOTICE. VISIT ECOSENSELIGHTING.COM FOR THE MOST CURRENT SPECIFICATIONS. FOR A LIST OF PATENTS VISIT ECOSENSELIGHTING.COM/IP-PORTFOLIO/
©2018 ECOSENSE LIGHTING INC. ALL RIGHTS RESERVED. ECOSENSE, THE ECOSENSE LOGO, TRSV, TROV AND ECOSPEC ARE REGISTERED TRADEMARKS OF ECOSENSE LIGHTING INC.
RISE™, SLIM COVE™, FREEDOM TO CREATE™, MACRO™, FLIP-TO-FLAT™ ARE TRADEMARKS OF ECOSENSE LIGHTING INC.

ECOSENSELIGHTING.COM

1/4

DATE	PROJECT	FIRM	TYPE
ELECTRICAL	WATTAGE POWER FACTOR THD OPERATING VOLTAGE DRIVER STARTUP TEMPERATURE OPERATING TEMPERATURE STORAGE TEMPERATURE	LOW OUTPUT = 26W; MEDIUM OUTPUT = 52W; HIGH OUTPUT = 78W >0.9 for 120V (HO, MO, LO), 230V (HO, MO), 277V (HO) <0.2 for 120V (HO, MO, LO), 230V (HO, MO), 277V (HO) MULTIVOLT: 110V-277VAC, 50/60 Hz INTEGRAL TO FIXTURE; DE-RATED POWER AND SYNCHRONOUS START-UP AT FULL BRIGHTNESS -40°F TO 122°F (-40°C TO 50°C) -40°F TO 122°F (-40°C TO 50°C) -40°F TO 176°F (-40°C TO 80°C)	
CONTROL	DIMMING	110-277VAC, ELV TYPE, REVERSE PHASE, TRAILING EDGE	
PHYSICAL	DIMENSIONS HOUSING/LENS WEIGHT ENVIRONMENT MOUNTING OPTIONS WIRING TOOLS WIND LOAD (EPA) CORROSION RESISTANT	W 10.57" x H 16.04" x L 10.17" ; (268.5mm x 407.5mm x 258.2mm) EXTRUDED ALUMINUM; UV STABILIZED POLYCARBONATE; STAINLESS STEEL FASTENERS 16LBS / 7.3KG OUTDOOR • UL CERTIFIED FOR WET LOCATIONS IP66 IMPACT RATED TO IK10 MEETS 3G ANSI C136.31 VIBRATION STANDARD FOR BRIDGE APPLICATIONS WHEN USED WITH SURFACE MOUNT TENON ACCESSORY. (SOLD SEPARATLY) C - EXTERNAL (EXTERIOR RATED CABLE) BOTTOM EXIT; UL/CE RATED MOUNTS ON ANY 2-3/8" PIPE OR TENON LENGTH OF EXTERIOR CABLE 10' (3.05m) SCREWS TO REPLACE THE LENS AND BEZEL: HEX 3mm; 1.25 ± 0.25 Nm SCREWS FOR MACRO LOCK™ PAN AND TILT: HEX 5mm; 27.0 ± 2.0 Nm SCREW FOR MAIN TILT ARM: HEX 6mm; 27.0 ± 2.0 Nm SET SCREWS FOR TENON MOUNT: HEX 4mm; 9.5 ± 0.5 Nm EFFECTIVE PROJECTED AREA 2H=0.74ft² ; 2V=0.93ft² RISE HAS A HIGH-PERFORMING, CORROSION-RESISTANT FINISH THAT USES HIGH DURABILITY TRIGLYCIDYL ISOCYANURATE (TGIC) POWDER COATINGS SPECIFICALLY DESIGNED FOR EXTERIOR AND WEATHER EXPOSURE. THIS FINISH IS TESTED AGAINST THE MOST SEVERE SPECIFICATIONS, PROVIDING SIGNIFICANT RESISTANCE TO COLOR CHANGE.	

FIXTURE RATING & CERTIFICATIONS CE, UL CERTIFIED
RoHS COMPLIANT, IK10



LIMITED WARRANTY 5 YEARS

0-10V CONTROL OPTIONS

100-120VAC / 277VAC Linear Dimming Control Module 0-10V - Plenum Rated LDCM-PL-120-277-010V-GR

All products come standard with ELV dimming capabilities. 0-10V Control options required for operation at 0-10V.

OPTIONAL ACCESSORIES

Snoots
 Half Snoot, Color Finish (K=Black, Z=Bronze, S=Silver, W=White, C=Custom) F170-H-(K,Z,S,W,C)
 Full Snoot, Color Finish (K=Black, Z=Bronze, S=Silver, W=White, C=Custom) F170-F-(K,Z,S,W,C)

Interchangeable Lens

5 Degree	F170-LENS-05
10 Degree	F170-LENS-10
15 Degree	F170-LENS-15
20 Degree	F170-LENS-20
40 Degree	F170-LENS-40
60 Degree	F170-LENS-60
80 Degree	F170-LENS-80
15x60 or 60x15 Degree	F170-LENS-E1E3
30x60 or 60x30 Degree	F170-LENS-E2E4
Full Set of Beam Angle Lens Degree (5, 10, 15, 20, 40, 60, 80, 15x60 or 60x15, 30x60 or 60x30)	F170-LENS-FULLSET

NOTE: Information on this Spec Sheet is subject to change, please visit ecosenselighting.com/downloads/rise for the most updated information.

ECOSENSE LIGHTING INC.
 837 NORTH SPRING STREET
 SUITE 103
 LOS ANGELES, CA 90012

P • 310.496.6255
F • 310.496.6256
T • 855.632.6736
 855.6.ECOSEN

SPECIFICATIONS SUBJECT TO CHANGE WITHOUT NOTICE.
 VISIT ECOSENSELIGHTING.COM FOR THE MOST CURRENT SPECIFICATIONS.
 FOR A LIST OF PATENTS VISIT ECOSENSELIGHTING.COM/IP-PORTFOLIO/
 ©2018 ECOSENSE LIGHTING INC. ALL RIGHTS RESERVED. ECOSENSE, THE ECOSENSE LOGO, TR8V, TROV AND ECOSPEC ARE REGISTERED TRADEMARKS OF ECOSENSE LIGHTING INC.
 RISE™, SLIM COVER™, FREEDOM TO CREATE™, MACRO™, FLIP-TO-FLAT™ ARE TRADEMARKS OF ECOSENSE LIGHTING INC.

ECOSENSELIGHTING.COM

2/4

DATE	PROJECT	FIRM	TYPE
------	---------	------	------

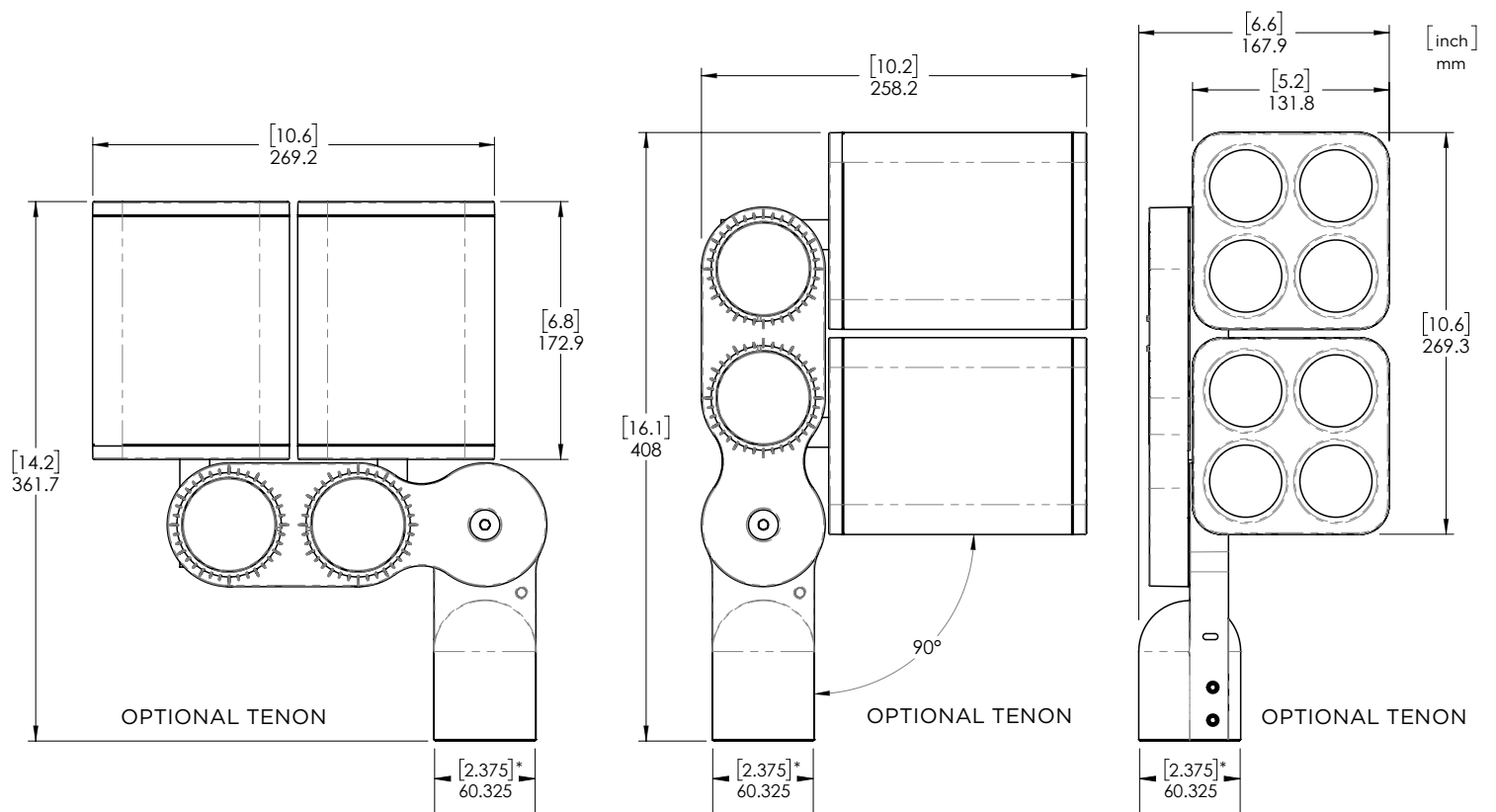
Color Filters

Red	F170-FILTER-RED
Blue	F170-FILTER-BLUE
Green	F170-FILTER-GREEN
Amber	F170-FILTER-AMBER

Surface Mount Tenon

F170 and F380 Multi-Up Surface Mount Tenon (K=Black, Z=Bronze, S=Silver, W=White, C=Custom) RISE-MULTI-SMP-(K,Z,S,W,C)
 Surface Mount Tenon is required for F170 Duo 3G Bridge installations

DIMENSIONS - F170 2V (VERTICAL)

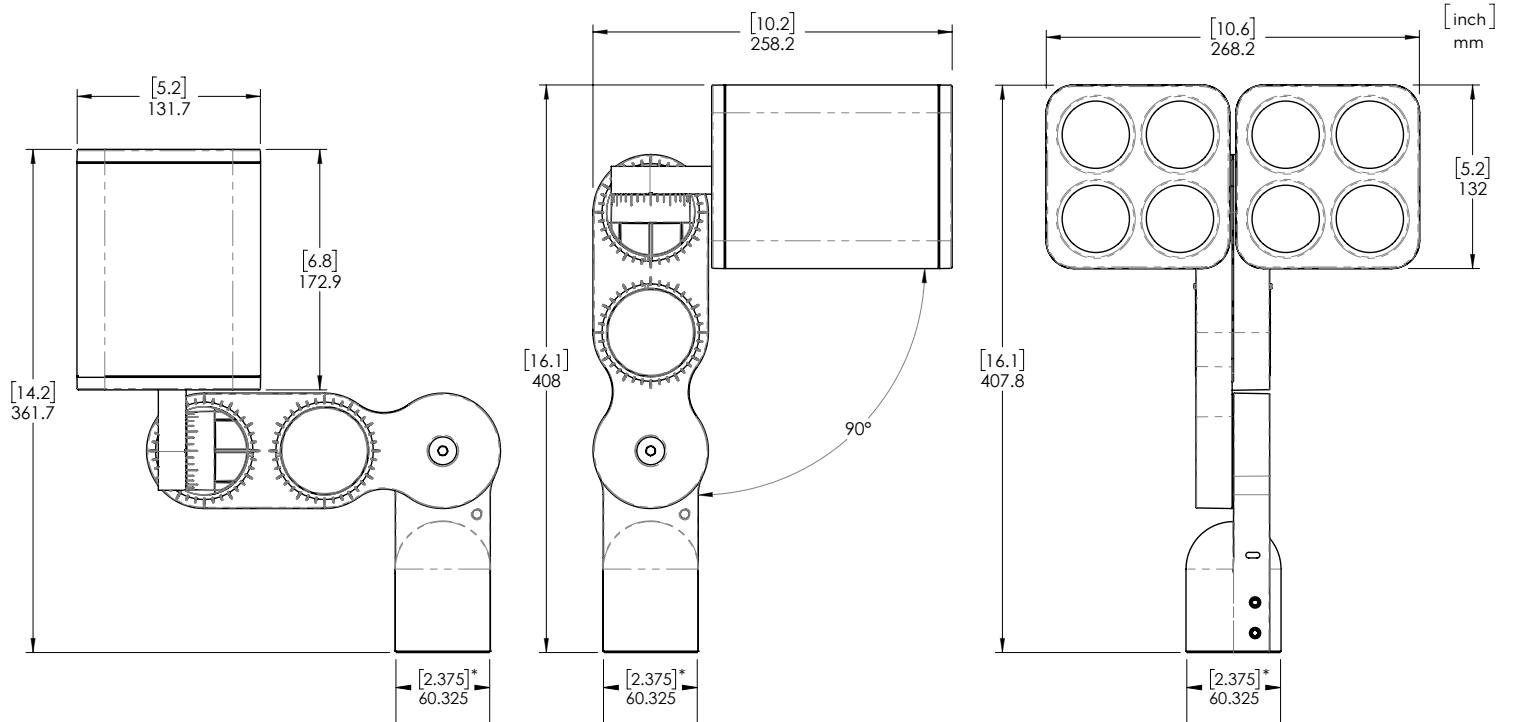


*FITS STANDARD 2" (50.8mm) TENON WITH A 2 3/8" (60.325mm) OUTER DIAMETER

NOTE: Information on this Spec Sheet is subject to change, please visit ecosenselighting.com/downloads/rise for the most updated information.

DATE	PROJECT	FIRM	TYPE
------	---------	------	------

DIMENSIONS - F170 2H (HORIZONTAL)



*FITS STANDARD 2" (50.8mm) TENON WITH A 2 3/8" (60.325mm) OUTER DIAMETER

NOTE: Information on this Spec Sheet is subject to change, please visit ecosenselighting.com/downloads/raise for the most updated information.