

DATE	PROJECT	FIRM	TYPE
------	---------	------	------

RISE IS A SYSTEM OF BEAUTIFULLY DESIGNED OUTDOOR RATED LUMINAIRE THAT PROVIDE EFFICIENT AND POWERFUL LIGHT USING THE LATEST IN LED TECHNOLOGY. RISE F080 SINGLE IS A POWERFUL AND COMPACT LED LIGHT FIXTURE, DELIVERING UP TO 1170 LUMENS, THAT CAN BE USED IN SPOT, ACCENT, LANDSCAPE AND FLOODLIGHT APPLICATIONS. ITS UNIQUE MACRO™ LOCK FEATURE ALLOWS FOR FULL 180 DEGREE TILT AND 360 DEGREE PAN AIMABILITY USING ONLY ONE TWIST.

**FEATURES :**

- POWERFUL CBCP
- EXTREMELY COMPACT
- POWERFUL OUTPUT UP TO 1170 LUMENS
- MACRO™ LOCK - 180° TILT AND 360° PAN
- 12 UNIQUE BEAM ANGLES
- MULTIVOLT (110 V-277 V)
- 8 CCTS: 2200K THROUGH 6500K
- 80+ AND 90+ CRI
- DIMMABLE TO 5%
- IP66 RATED



FIXTURE MODEL	FIXTURE CONFIG.	POWER/LUMEN OUTPUT*	CCT/COLOR	CRI	BEAM ANGLE	FINISHES	ACCESSORIES	WIRING AND MOUNTING
F080	1R - Single Round	LO - Low Output MO - Medium Output HO - High Output	22 - 2200K 25 - 2500K 27 - 2700K 30 - 3000K 35 - 3500K 40 - 4000K 50 - 5000K 65 - 6500K RD - Red GR - Green BL - Blue AM - Amber  *2200K and 2500K not available in 40°, 60°, 70° and 90°	8 - 80 9 - 90* X - For RD, GR, BL, AM  *90 CRI not available in 2200K, 2500K, 5000K, and 6500K	05 - Laser Spot (5°) 10 - Very Narrow Spot (10°) 15 - Narrow Spot (15°) 20 - Spot (20°) 40 - Flood (40°) 60 - Medium Flood (60°) 70 - Wide Flood (70°) 90 - Very Wide Flood (90°) E1 - Elliptical 1 (15°x60°) E2 - Elliptical 2 (30°x60°) E3 - Elliptical 3 (60°x15°) E4 - Elliptical 4 (60°x30°)	K - Black Z - Bronze S - Silver W - White C - Custom*  *Provide RAL #	X - No Accessory H - Half Snoot F - Full Snoot	A - 19" Flying Leads - Internal Cable IC; Bottom Exit; 1/2" NPT ; UL/CE Listed B* - 10' External Cable Side Exit; Surface Mount ; UL Listed C* - 10' External Cable Bottom Exit; Surface Mount - 1/2" NPT ; UL Listed D* - 10' External Cable Side Exit; Surface Mount ; CE Listed E* - 10' External Cable Bottom Exit; Surface Mount - 1/2" NPT; CE Listed

**EXAMPLE:** F080-1R-LO-22-8-05-S-X-A

\*SEE PHOTOMETARY CHART FOR LUMEN DATA

PERFORMANCE	WATTS	POWER	LUMEN OUTPUT		EFFICACY		CBCP	
			5°	40°	5°	40°	5°	40°
	4	Low Output	309	429	76	107	21,991	705
	7.5	Medium Output	531	761	71	101	37,824	1,251
	11.5	High Output	744	1,120	65	99	53,048	1,874

ALL LUMEN DATA IS FROM 4000K 80CRI FIXTURES. PLEASE SEE PHOTOMETRY SPEC SHEET FOR ADDITIONAL LUMEN DATA.

**COLOR RENDERING INDEX**  
**COLOR CONSISTENCY**  
**LUMEN DEPRECIATION**

WATTS	3-STEP MACADAM ELLIPSE			
	L70 @ 25C	L70 @ 50C	L90 @ 25C	L90 @ 50C
LOW	>60,500* >(109,000)**	>60,500* >(109,000)**	>60,500* >(109,000)**	>60,500* >(109,000)**
MEDIUM	>60,500* >(109,000)**	>60,500* >(109,000)**	>60,500* >(109,000)**	>60,500* >(109,000)**
HIGH	>60,500* >(181,000)**	>36,300* >(69,800)**	>60,500* >(69,800)**	>33,200*

\* ENERGY STAR REPORTED TESTING HOURS TO DATE. CALCULATIONS FOR LED FIXTURES ARE BASED ON MEASUREMENTS THAT COMPLY WITH IES LM-80 TESTING PROCEDURES AND IES TM-21 CALCULATOR  
\*\* ESTIMATED HOURS

NOTE: Information on this Spec Sheet is subject to change, please visit [ecosenselighting.com/downloads/raise](http://ecosenselighting.com/downloads/raise) for the most updated information.

DATE	PROJECT	FIRM	TYPE
<b>ELECTRICAL</b>	<b>WATTAGE</b> <b>POWER FACTOR</b> <b>THD</b> <b>OPERATING VOLTAGE</b> <b>DRIVER</b> <b>STARTUP TEMPERATURE</b> <b>OPERATING TEMPERATURE</b> <b>STORAGE TEMPERATURE</b> <b>SURGE PROTECTION</b>	LOW OUTPUT = 4W; MEDIUM OUTPUT = 7.5W; HIGH OUTPUT = 11.5W >0.9 for 120 V (HO, MO, LO), 230 V (HO, MO), 277 V (HO) <0.2 for 120 V (HO, MO, LO), 230 V (HO, MO), 277 V (HO) MULTIVOLT: 110-277 VAC, 50/60 Hz INTEGRAL TO FIXTURE; DE-RATED POWER AND SYNCHRONOUS START-UP AT FULL BRIGHTNESS -40 °F TO 122 °F (-40 °C TO 50 °C) -40 °F TO 122 °F (-40 °C TO 50 °C) -40 °F TO 176 °F (-40 °C TO 80 °C) SURGE PROTECTION DEVICES WITH A MINIMUM DISCHARGE CURRENT RATING OF 20KA, THAT MEET UL1449, CSA C22.2 No. 269.1, AND IEC TR 62066, SHOULD BE INSTALLED ON EACH BRANCH CIRCUIT.	
<b>CONTROL</b>	<b>DIMMING</b>	110-277 VAC, ELV TYPE, REVERSE PHASE, TRAILING EDGE	
<b>PHYSICAL</b>	<b>DIMENSIONS</b> <b>HOUSING/LENS</b> <b>WEIGHT</b> <b>ENVIRONMENT</b> <b>MOUNTING OPTIONS</b> <b>WIRING</b> <b>TOOLS</b> <b>WIND LOAD (EPA)</b> <b>CORROSION RESISTANT</b>	W 3.15" x H 7.6" x L 2.49" ; (80 mm x 194.1 mm x 63.25 mm) EXTRUDED ALUMINUM; UV STABILIZED POLYCARBONATE; STAINLESS STEEL FASTENERS 2.0 LBS ; (0.9 KG) OUTDOOR • UL CERTIFIED FOR <b>MARINE GRADE</b> • WET LOCATIONS • IP66 IMPACT RATED TO IK10 MEETS 3G ANSI C136.31 VIBRATION STANDARD FOR BRIDGE APPLICATIONS A - FLYING LEADS - INTERNAL CABLE IC; BOTTOM EXIT; 1/2" NPT ; UL/ CE RATED B - EXTERNAL CABLE SIDE EXIT; SURFACE MOUNT ; UL LISTED SURFACE MOUNT PLATE INCLUDED C - EXTERNAL CABLE BOTTOM EXIT; 1/2" NPT ; UL LISTED SURFACE MOUNT PLATE INCLUDED D - EXTERNAL CABLE SIDE EXIT; SURFACE MOUNT ; CE LISTED SURFACE MOUNT PLATE INCLUDED E - EXTERNAL CABLE BOTTOM EXIT; SURFACE MOUNT ; CE LISTED SURFACE MOUNT PLATE INCLUDED LENGTH OF FLYING LEADS 19" (482.6 mm) LENGTH OF EXTERNAL CABLE 10' (3.05 m) 2.5 mm HEX KEY AND PHILLIPS #0 SCREWDRIVER FOR INTERCHANGEABLE LENS + SNOOTS 4 mm HEX KEY FOR AIMING 5 mm HEX KEY FOR MAIN TILT ARM EFFECTIVE PROJECTED AREA 0.14 ft <sup>2</sup> RISE HAS A HIGH-PERFORMING, CORROSION-RESISTANT FINISH THAT USES HIGH DURABILITY TRIGLYCIDYL ISOCYANURATE (TGIC) POWDER COATINGS SPECIFICALLY DESIGNED FOR NATATORIUMS AND EXTERIOR WEATHER EXPOSURE. THIS FINISH HAS BEEN TESTED AND APPROVED TO <b>MARINE GRADE</b> CORROSION RESISTANCE STANDARD IN UL1598A, ASTM B117 SALT FOG TEST FOR 200 HOURS.	

**FIXTURE RATING & CERTIFICATIONS** CE, UL CERTIFIED  
RoHS COMPLIANT, IK10



**LIMITED WARRANTY** 5 YEARS

**0-10V CONTROL OPTIONS**

100-120 VAC / 277 VAC Linear Dimming Control Module 0-10 V - Plenum Rated ..... LDCM-PL-120-277-010V-GR  
 All products come standard with ELV dimming capabilities. 0-10V Control options required for operation at 0-10V.

**OPTIONAL ACCESSORIES**

**Snoots**  
 Round Half Snoot, Color Finish (K=Black, Z=Bronze, S=Silver, W=White, C=Custom) ..... F080-RH-(K,Z,S,W,C)  
 Round Full Snoot, Color Finish (K=Black, Z=Bronze, S=Silver, W=White, C=Custom) ..... F080-RF-(K,Z,S,W,C)

**Interchangeable Lens**

**If inner optic = 5°,**  
**Desired angle** .....order the following spread lens  
 5 Degree ..... F080-LENS-05  
 10 Degree ..... F080-LENS-10  
 15 Degree ..... F080-LENS-15  
 20 Degree ..... F080-LENS-20  
 40 Degree ..... F080-LENS-40  
 60 Degree ..... F080-LENS-60  
 80 Degree ..... F080-LENS-80  
 15x60 or 60x15 Degree ..... F080-LENS-E1E3

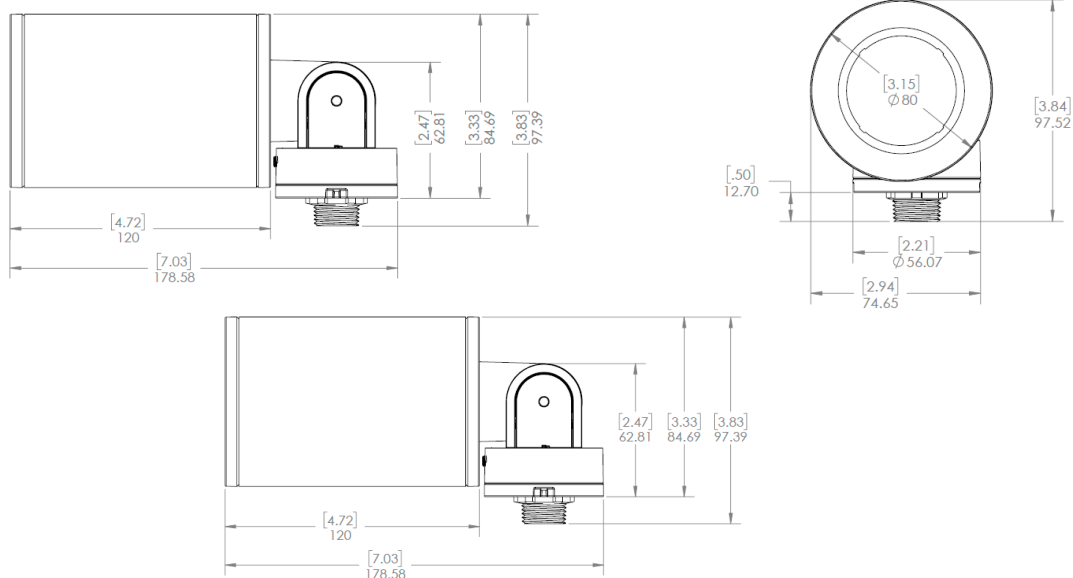
NOTE: Information on this Spec Sheet is subject to change, please visit [ecosenselighting.com/downloads/raise](http://ecosenselighting.com/downloads/raise) for the most updated information.

DATE	PROJECT	FIRM	TYPE
30x60 or 60x30			F080-LENS-E2E4
Full Set of Beam Angle Lens Degree (5, 10, 15, 20, 40, 60, 80, 15x60 or 60x15, 30x60 or 60x30)			F080-LENS-FULLSET
<b>If inner optic = 40°,</b>			
<b>Desired angle</b> ..... <b>Order the following spread lens</b>			
5 Degree			NOT SUPPORTED
10 Degree			NOT SUPPORTED
15 Degree			NOT SUPPORTED
20 Degree			NOT SUPPORTED
40 Degree			F080-LENS-10
60 Degree			F080-LENS-40
70 Degree			F080-LENS-60
90 Degree			F080-LENS-80
15x60 or 60x15 Degree			NOT SUPPORTED
30x60 or 60x30 Degree			NOT SUPPORTED
Full Set of Beam Angle Lens Degree (5, 10, 15, 20, 40, 60, 70, 90, 15X60 or 60X15, 30X60 or 60X30)			F080-LENS-FULLSET
<b>Honeycomb Louver</b>			
Honeycomb Louver F080			F080-LV-HComb
<b>Color Filters</b>			
Red			F080-FILTER-RED
Blue			F080-FILTER-BLUE
Green			F080-FILTER-GREEN
Amber			F080-FILTER-AMBER
<b>F080 Wall Mount Arm</b> (for use only with Wiring Option C - External Cable Bottom Exit - Not for use with multi-up fixtures)			
Wall Mount Arm, 6 inch, Color Finish (K=Black, Z=Bronze, S=Silver, W=White, C=Custom)			F080-WMA-06-(K,Z,S,W,C)
Wall Mount Arm, 12 inch, Color Finish (K=Black, Z=Bronze, S=Silver, W=White, C=Custom)			F080-WMA-12-(K,Z,S,W,C)
Wall Mount Arm, 18 inch, Color Finish (K=Black, Z=Bronze, S=Silver, W=White, C=Custom)			F080-WMA-18-(K,Z,S,W,C)
Wall Mount Arm, 24 inch, Color Finish (K=Black, Z=Bronze, S=Silver, W=White, C=Custom)			F080-WMA-24-(K,Z,S,W,C)
<b>Ground Stake</b> (for use only with Wiring Option C or E for wiring to remote junction box - External Cable Bottom Exit - Not for use with Multi-up fixtures)			
Landscape Stake, 12 in, Black (for use with F080 Single Head only, not for use with multi-fixture units)			F080-LS-1S-STK-12
<b>Perma Post</b> (for use only with Wiring Option A, C, or E - For use with Single and Multi-up Fixtures)			
Perma Post and Cap - 19" x 2-3/4", Black, Post and Cap with 1.2" NPT female thread			RISE-PERMA-POST-19
<b>Slip Fitter</b> (Not for use with Wiring Option A, C or E - For use with Single and Multi-up fixtures)			
Slip Fitter, 2-3/8" post, 1/2" NPT female threads, Color Finish (K=Black, Z=Bronze, S=Silver, W=White, C=Custom)			RISE-SLIP-FITTER-(K,Z,S,W,C)
<b>Canopy Plate</b> (Not for use with Option B or D - External Cable Side Exit)			
Canopy Plate, 4" Dia Round J-Box Cover, 1/2" NPT female thread (K=Black, Z=Bronze, S=Silver, W=White, C=Custom)			RISE-CANOPY-04-(K,Z,S,W,C)
<b>Junction Box Cover</b> (Not for use with Option B or D - External Cable Side Exit)			
Junction Box Cover, 2x4, Single 1/2" NPT female thread, Silver Grey			RISE-JBC-RABR14
<b>Tree Strap</b> (Not for use with Option B or D - External Cable Side Exit)			
Tree mount with strap and junction box and cover, 72" strap for 21" diameter trees, Bronze			RISE-TMS-TB-VIS3

NOTE: Information on this Spec Sheet is subject to change, please visit [ecosenselighting.com/downloads/raise](https://ecosenselighting.com/downloads/raise) for the most updated information.

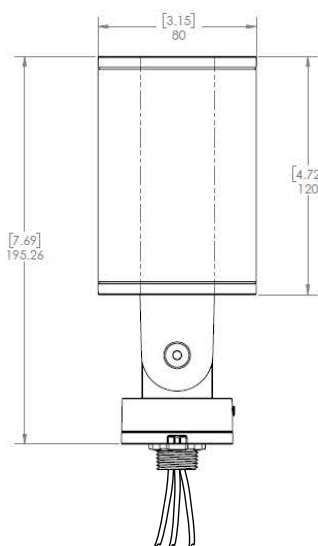
DATE	PROJECT	FIRM	TYPE
------	---------	------	------

## DIMENSIONS



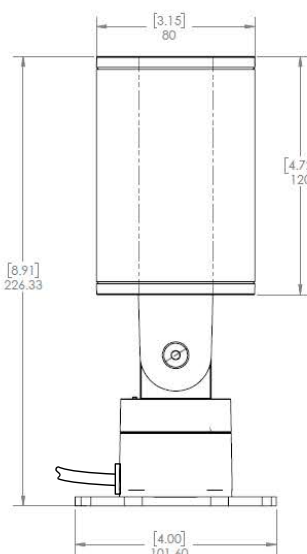
## WIRING GUIDE

### Flying Leads - Internal Cable (UL Listed or CE Listed)



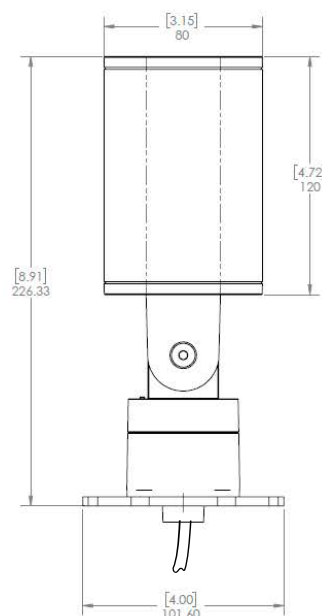
- For use with standard junction boxes
- 1/2" NPT Taper, Cable Length is 19"
- Compatible with EcoSense Canopy junction Box Cover
- 18 AWG Stranded Copper Cable - 3 Conductors

### External Cable Side Exit (UL Listed or CE Listed)



- For use with external, exterior rated cable is required to run to remote junction box or mains
- Cable exits the side of the base
- Comes with a Surface Mount Plate, for mounting direct to surface
- Cable Length is 10' (3.05 m)

### External Cable Bottom Exit (UL Listed or CE Listed)



- For use when external, exterior rated cable is required to run to remote junction box or mains
- Cable exits the bottom for use with various accessories such as Wall Mount Arm and Ground Stake
- 1/2" NPT taper for mounting
- Comes with a Surface Mount Plate, for mounting direct to surface
- Cable Length is 10' (3.05 m)

NOTE: Information on this Spec Sheet is subject to change, please visit [ecosenselighting.com/raise](http://ecosenselighting.com/raise) for the most updated information.