

DATE	PROJECT	FIRM	TYPE
------	---------	------	------

RISE IS A SYSTEM OF BEAUTIFULLY DESIGNED OUTDOOR RATED LUMINAIRES THAT PROVIDE EFFICIENT AND POWERFUL LIGHT USING THE LATEST IN LED TECHNOLOGY. RISE F080 QUAD IS A UNIQUE CONFIGURATION THAT GROUPS FOUR RISE F080 SINGLES ALLOWING YOU TO QUADRUPLE YOUR LUMEN POWER, DELIVERING UP TO 2800 LUMENS. THIS UNIQUE FIXTURE CAN BE USED TO POWERFULLY LIGHT ONE OBJECT OR AIMED SEPARATELY, ALLOWING YOU TO ILLUMINATE MULTIPLE APPLICATIONS. THIS POWERFUL AND COMPACT LED LIGHT FIXTURE CAN BE USED IN SPOT, ACCENT, LANDSCAPE AND FLOODLIGHT APPLICATIONS. ITS UNIQUE MACRO<sup>™</sup> LOCK FEATURE ALLOWS FOR FULL 180 DEGREE TILT AND 360 DEGREE PAN AIMABILITY OF EACH FIXTURE HEAD USING ONLY ONE TOOL.

**FEATURES :**

- UNIQUE BRACKETRY DESIGN FOR QUADRUPLE HEAD, SINGLE POINT INSTALLATION
- MACRO<sup>™</sup> LOCK - 180° TILT AND 360° PAN
- POWERFULL OUTPUT 1200-2800LMS
- 11 UNIQUE BEAM ANGLES
- MULTIVOLT (110V-277V)
- 8 CCTS: 2200K THROUGH 6500K
- 80+ AND 90+ CRI
- DIMMABLE TO 5%
- IP66 RATED



FIXTURE MODEL	FIXTURE CONFIG.	POWER/LUMEN OUTPUT*	CCT/COLOR	CRI	BEAM ANGLE	FINISHES	ACCESSORIES	WIRING AND MOUNTING
F080	4M - 4 Heads, Movable Quad	LO - Low Output  MO - Medium Output  HO - High Output	22 - 2200K 25 - 2500K 27 - 2700K 30 - 3000K 35 - 3500K 40 - 4000K 50 - 5000K 65 - 6500K RD - Red GR - Green BL - Blue AM - Amber	8 - 80 9 - 90* X - For RD, GR, BL, AM  *90 CRI not available in 2200K, 2500K, 5000K, and 6500K	05 - Laser Spot (5°) 10 - Very Narrow Spot (10°) 15 - Narrow Spot (15°) 20 - Spot (20°) 40 - Flood (40°) 60 - Wide Flood (60°) 80 - Very Wide Flood (80°) E1 - Elliptical 1 (15°x60°) E2 - Elliptical 2 (30°x60°) E3 - Elliptical 3 (60°x15°) E4 - Elliptical 4 (60°x30°)	K - Black Z - Bronze S - Silver W - White C - Custom*  Provide RAL #	X - No Accessory H - Half Snoot F - Full Snoot  Will ship as X if not specified	B - 10' External Cable Side Exit ; Surface Mount ; UL/CE Rated C* - 10' External Cable Bottom Exit; Surface Mount - 1/2" NPT; UL/CE Rated  Will ship as C if not specified

\*SEE PHOTOMETRY CHART FOR LUMEN DATA

PERFORMANCE	WATTS	POWER	LUMEN OUTPUT	OPTIC	EFFICACY	CBCP
	16	Low Output	1,236	5°	77	88,068
	30	Medium Output	2,124	5°	71	151,246
	46	High Output	2,976	5°	65	211,964

ALL LUMEN DATA IS FROM 4000K 80CRI FIXTURES. PLEASE SEE PHOTOMETRY SPEC SHEET FOR ADDITIONAL LUMEN DATA.

COLOR RENDERING INDEX COLOR CONSISTENCY	80+, 90+ 3-STEP MACADAM ELLIPSE			
	WATTS	L70 @ 25C	L70 @ 50C	L90 @ 25C   L90 @ 50C
LOW	>36,300*	>36,300*	>36,300*	>36,300*
	>(109,000)**	>(109,000)**	>(109,000)**	>(109,000)**
MEDIUM	>36,300*	>36,300*	>36,300*	>36,300*
	>(109,000)**	>(109,000)**	>(109,000)**	>(109,000)**
HIGH	>60,500*	>36,300*	>60,500*	>31,700*
	>(181,000)**	>(109,000)**	>(69,800)**	

\* ENERGY STAR REPORTED TESTING HOURS TO DATE. CALCULATIONS FOR LED FIXTURES ARE BASED ON MEASUREMENTS THAT COMPLY WITH IES LM-80 TESTING PROCEDURES AND IES TM-21 CALCULATOR  
\*\* ESTIMATED HOURS

NOTE: Information on this Spec Sheet is subject to change, please visit [ecosenselighting.com/downloads/raise](http://ecosenselighting.com/downloads/raise) for the most updated information.

**ECOSENSE LIGHTING INC.**  
837 NORTH SPRING STREET  
SUITE 103  
LOS ANGELES, CA 90012

**P • 310.496.6255**  
**F • 310.496.6256**  
**T • 855.632.6736**  
855.6.ECOSEN

SPECIFICATIONS SUBJECT TO CHANGE WITHOUT NOTICE. VISIT [ECOSENSELIGHTING.COM](http://ECOSENSELIGHTING.COM) FOR THE MOST CURRENT SPECIFICATIONS. FOR A LIST OF PATENTS VISIT [ECOSENSELIGHTING.COM/IP-PORTFOLIO/](http://ECOSENSELIGHTING.COM/IP-PORTFOLIO/)  
©2018 ECOSENSE LIGHTING INC. ALL RIGHTS RESERVED. ECOSENSE, THE ECOSENSE LOGO, TROY, TROY AND ECOSPEC ARE REGISTERED TRADEMARKS OF ECOSENSE LIGHTING INC.  
RISE<sup>™</sup>, SLIM COVE<sup>™</sup>, FREEDOM TO CREATE<sup>™</sup>, MACRO<sup>™</sup>, FLIP-TO-FLAT<sup>™</sup> ARE TRADEMARKS OF ECOSENSE LIGHTING INC.

[ECOSENSELIGHTING.COM](http://ECOSENSELIGHTING.COM)

1/3

DATE	PROJECT	FIRM	TYPE
<b>ELECTRICAL</b>	<b>WATTAGE</b> <b>POWER FACTOR</b> <b>THD</b> <b>OPERATING VOLTAGE DRIVER</b> <b>STARTUP TEMPERATURE</b> <b>OPERATING TEMPERATURE</b> <b>STORAGE TEMPERATURE</b>	LOW OUTPUT = 16W; MEDIUM OUTPUT = 30W; HIGH OUTPUT = 46W >0.9 for 120V (HO, MO, LO), 230V (HO, MO), 277V (HO) <0.2 for 120V (HO, MO, LO), 230V (HO, MO), 277V (HO) MULTIVOLT: 110-277VAC, 50/60 Hz INTEGRAL TO FIXTURE; DE-RATED POWER AND SYNCHRONOUS START-UP AT FULL BRIGHTNESS -40°F TO 122°F (-40°C TO 50°C) -40°F TO 122°F (-40°C TO 50°C) -40°F TO 176°F (-40°C TO 80°C)	
<b>CONTROL</b>	<b>DIMMING</b>	110-277VAC, ELV TYPE, REVERSE PHASE, TRAILING EDGE	
<b>PHYSICAL</b>	<b>DIMENSIONS</b> <b>HOUSING/LENS</b> <b>WEIGHT</b> <b>ENVIRONMENT</b>  <b>MOUNTING OPTIONS</b>  <b>WIRING</b> <b>TOOLS</b>  <b>WIND LOAD (EPA)</b> <b>CORROSION RESISTANT</b>	SEE DIMENSION PAGES EXTRUDED ALUMINUM; UV STABILIZED POLYCARBONATE; STAINLESS STEEL FASTENERS 7.4LBS / 3.3KG OUTDOOR • UL CERTIFIED FOR WET LOCATIONS IP66 IMPACT RATED TO IK10 MEETS 3G ANSI C136.31 VIBRATION STANDARD FOR BRIDGE APPLICATIONS WHEN USED WITH SURFACE MOUNT PLATE (INCLUDED) OR WALL MOUNT ARMS (SOLD SEPERATLY) B - EXTERNAL CABLE SIDE EXIT; SURFACE MOUNT ; UL/CE RATED SURFACE MOUNT PLATE INCLUDED C - EXTERNAL CABLE BOTTOM EXIT; 1/2" NPT; UL/CE RATED SURFACE MOUNT PLATE INCLUDED LENGTH OF EXTERIOR CABLE 10' (3.05m) 2.5mm HEX KEY AND PHILLIPS #0 SCREWDRIVER FOR INTERCHANGEABLE LENS + SNOOTS 4mm HEX KEY FOR AIMING 5mm HEX KEY FOR MAIN TILT ARM EFFECTIVE PROJECTED AREA 0.39ft² RISE HAS A HIGH-PERFORMING, CORROSION-RESISTANT FINISH THAT USES HIGH DURABILITY TRIGLYCIDYL ISOCYANURATE (TGIC) POWDER COATINGS SPECIFICALLY DESIGNED FOR EXTERIOR AND WEATHER EXPOSURE. THIS FINISH IS TESTED AGAINST THE MOST SEVERE SPECIFICATIONS, PROVIDING SIGNIFICANT RESISTANCE TO COLOR CHANGE.	

**FIXTURE RATING & CERTIFICATIONS**    **CE, UL CERTIFIED**  
**RoHS COMPLIANT, IK10**



**LIMITED WARRANTY**    **5 YEARS**

**0-10V CONTROL OPTIONS**

100-120VAC / 277VAC Linear Dimming Control Module 0-10V - Plenum Rated ..... LDCM-PL-120-277-010V-GR  
 All products come standard with ELV dimming capabilities. 0-10V Control options required for operation at 0-10V.

**OPTIONAL ACCESSORIES**

**Snoots**  
 Full Snoot, Color Finish (K=Black, Z=Bronze, S=Silver, W=White, C=Custom) ..... F080-F-(K,Z,S,W,C)  
 Half Multi-Fixture Snoot, Color Finish (K=Black, Z=Bronze, S=Silver, W=White, C=Custom) ..... F080-HM-(K,Z,S,W,C)

**Interchangeable Lens**

5 Degree ..... F080-LENS-05  
 10 Degree ..... F080-LENS-10  
 15 Degree ..... F080-LENS-15  
 20 Degree ..... F080-LENS-20  
 40 Degree ..... F080-LENS-40  
 60 Degree ..... F080-LENS-60  
 80 Degree ..... F080-LENS-80  
 15x60 or 60x15 Degree ..... F080-LENS-E1E3  
 30x60 or 60x30 Degree ..... F080-LENS-E2E4  
 Full Set of Beam Angle Lens Degree (5, 10, 15, 20, 40, 60, 80, 15x60 or 60x15, 30x60 or 60x30) ..... F080-LENS-FULLSET

**Canopy Plate** (Not for use with wire Option B - External Cable Side Exit)  
 RISE Canopy Plate (K=Black, Z=Bronze, S=Silver, W=White, C=Custom) ..... RISE-CANOPY-04-(K,Z,S,W,C)

NOTE: Information on this Spec Sheet is subject to change, please visit [ecosenselighting.com/downloads/raise](http://ecosenselighting.com/downloads/raise) for the most updated information.

**ECOSENSE LIGHTING INC.**  
 837 NORTH SPRING STREET  
 SUITE 103  
 LOS ANGELES, CA 90012

**P • 310.496.6255**  
**F • 310.496.6256**  
**T • 855.632.6736**  
 855.6.ECOSEN

SPECIFICATIONS SUBJECT TO CHANGE WITHOUT NOTICE. VISIT [ECOSENSELIGHTING.COM](http://ECOSENSELIGHTING.COM) FOR THE MOST CURRENT SPECIFICATIONS. FOR A LIST OF PATENTS VISIT [ECOSENSELIGHTING.COM/IP-PORTFOLIO/](http://ECOSENSELIGHTING.COM/IP-PORTFOLIO/)  
 ©2018 ECOSENSE LIGHTING INC. ALL RIGHTS RESERVED. ECOSENSE, THE ECOSENSE LOGO, TROV, TROY AND ECOSPEC ARE REGISTERED TRADEMARKS OF ECOSENSE LIGHTING INC.  
 RISE™, SLIM COVER™, FREEDOM TO CREATE™, MACRO™, FLIP-TO-FLAT™ ARE TRADEMARKS OF ECOSENSE LIGHTING INC.

[ECOSENSELIGHTING.COM](http://ECOSENSELIGHTING.COM)

2/3

DATE	PROJECT	FIRM	TYPE
------	---------	------	------

**Color Filters**

Red .....	F080-FILTER-RED
Blue .....	F080-FILTER-BLUE
Green .....	F080-FILTER-GREEN
Amber .....	F080-FILTER-AMBER

**F080 Multi-Fixture (DUO, QUAD) Wall Mount Arm** (for use only with Wiring Option C - External Cable Bottom Exit)

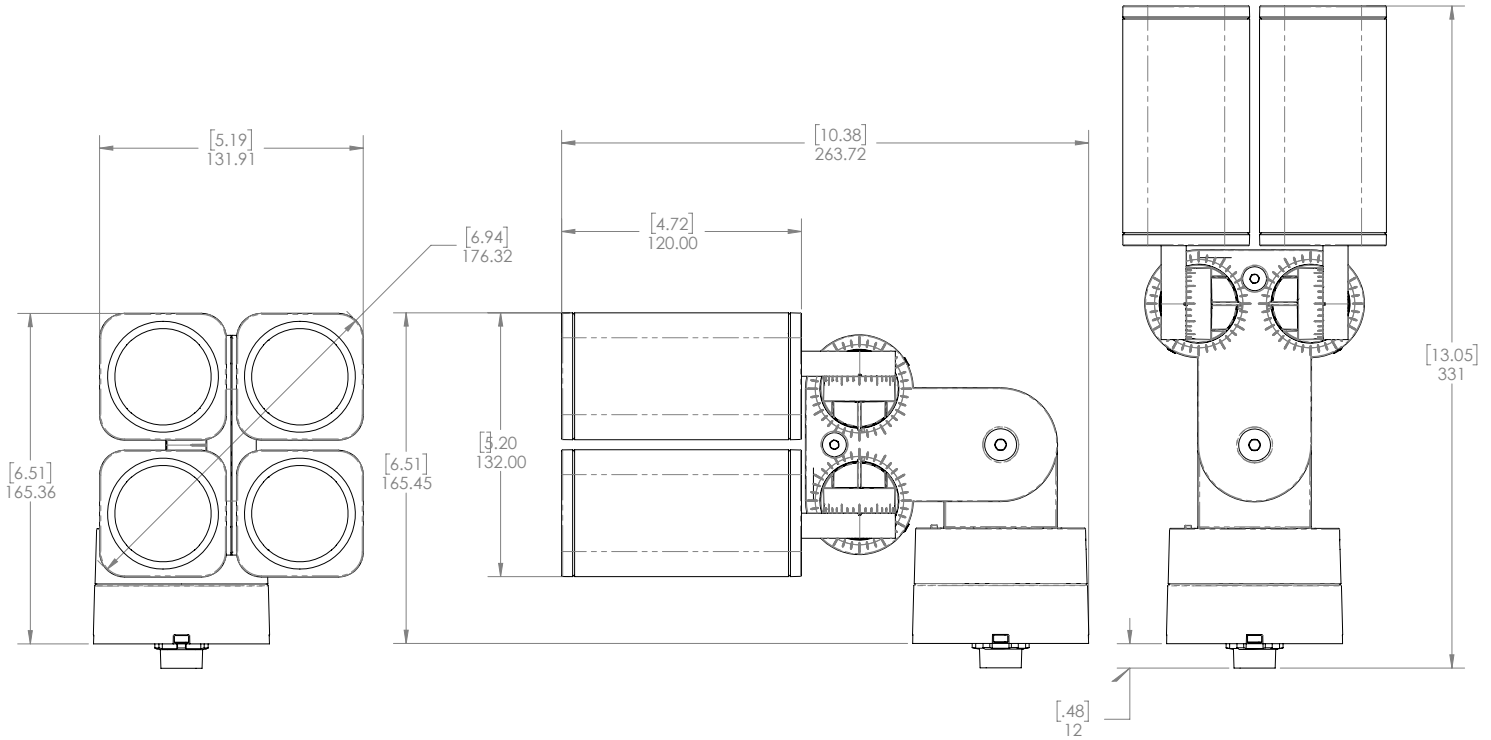
Wall Mount Arm, 6 inch, Color Finish (K=Black, S=Silver, C=Custom) .....	F170-WMA-06-(K,S,C)
Wall Mount Arm, 12 inch, Color Finish (K=Black, S=Silver, C=Custom) .....	F170-WMA-12-(K,S,C)
Wall Mount Arm, 18 inch, Color Finish (K=Black, S=Silver, C=Custom) .....	F170-WMA-18-(K,S,C)
Wall Mount Arm, 24 inch, Color Finish (K=Black, S=Silver, C=Custom) .....	F170-WMA-24-(K,S,C)

**Ground Stake** (for use only with Wiring Option C - External Cable Bottom Exit)

Landscape Stake, 12in .....	F170-LS-1S-STK-12
-----------------------------	-------------------

**DIMENSIONS - F080 4F**

[inch]  
mm



NOTE: Information on this Spec Sheet is subject to change, please visit [ecosenselighting.com/downloads/raise](https://ecosenselighting.com/downloads/raise) for the most updated information.

**ECOSENSE LIGHTING INC.**  
837 NORTH SPRING STREET  
SUITE 103  
LOS ANGELES, CA 90012

**P • 310.496.6255**  
**F • 310.496.6256**  
**T • 855.632.6736**  
855.6.ECOSEN

SPECIFICATIONS SUBJECT TO CHANGE WITHOUT NOTICE. VISIT [ECOSENSELIGHTING.COM](https://ecosenselighting.com) FOR THE MOST CURRENT SPECIFICATIONS. FOR A LIST OF PATENTS VISIT [ECOSENSELIGHTING.COM/IP-PORTFOLIO/](https://ecosenselighting.com/ip-portfolio/)  
©2018 ECOSENSE LIGHTING INC. ALL RIGHTS RESERVED. **ECOSENSE**, THE **ECOSENSE LOGO**, **TROY**, **TROY AND ECOSPEC** ARE REGISTERED TRADEMARKS OF ECOSENSE LIGHTING INC.  
**RISE™**, **SLIM COVE™**, **FREEDOM TO CREATE™**, **MACRO™**, **FLIP-TO-FLAT™** ARE TRADEMARKS OF ECOSENSE LIGHTING INC.

[ECOSENSELIGHTING.COM](https://ecosenselighting.com)

3/3