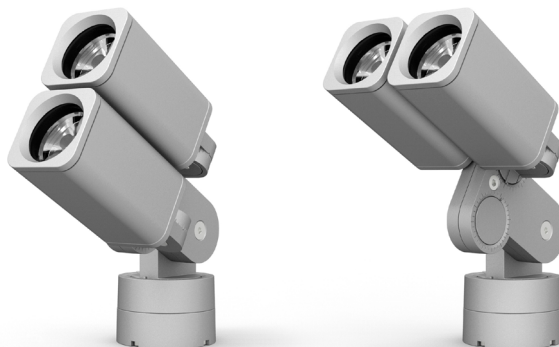


DATE	PROJECT	FIRM	TYPE
------	---------	------	------

RISE IS A SYSTEM OF BEAUTIFULLY DESIGNED OUTDOOR RATED LUMINAIRES THAT PROVIDE EFFICIENT AND POWERFUL LIGHT USING THE LATEST IN LED TECHNOLOGY. RISE F080 DUO IS A UNIQUE CONFIGURATION THAT PAIRS UP TWO RISE F080 SINGLES ALLOWING YOU TO DOUBLE YOUR LUMEN POWER, DELIVERING UP TO 2340 LUMENS. THIS UNIQUE FIXTURE CAN BE USED TO POWERFULLY LIGHT ONE OBJECT OR AIMED SEPARATELY, ALLOWING YOU TO ILLUMINATE MULTIPLE APPLICATIONS. THIS POWERFUL AND COMPACT LED LIGHT FIXTURE CAN BE USED IN SPOT, ACCENT, LANDSCAPE AND FLOODLIGHT APPLICATIONS. ITS UNIQUE MACRO™ LOCK FEATURE ALLOWS FOR FULL 180 DEGREE TILT AND 360 DEGREE PAN AIMABILITY OF EACH FIXTURE HEAD USING ONLY ONE TWIST.

FEATURES:

- POWERFUL CBCP
- EXTREMELY COMPACT
- POWERFUL OUTPUT UP TO 2340 LUMENS
- MACRO™ LOCK - 180° TILT AND 360° PAN
- 12 UNIQUE BEAM ANGLES
- MULTIVOLT (110V-277 V)
- 8 CCTS: 2200K THROUGH 6500K
- 80+ AND 90+ CRI
- DIMMABLE TO 5%
- IP66 RATED



FIXTURE MODEL	FIXTURE CONFIG.	POWER/LUMEN OUTPUT*	CCT/COLOR	CRI	BEAM ANGLE	FINISHES	ACCESSORIES	WIRING AND MOUNTING
F080	2V - 2 Heads, Vertical Orientation 2H - 2 Heads, Horizontal Orientation	LO - Low Output MO - Medium Output HO - High Output	22 - 2200K 25 - 2500K 27 - 2700K 30 - 3000K 35 - 3500K 40 - 4000K 50 - 5000K 65 - 6500K RD - Red GR - Green BL - Blue AM - Amber *2200K and 2500K not available in 40°, 60°, 70° and 90°	8 - 80 9 - 90* X - For RD, GR, BL, AM *90 CRI not available in 2200K, 2500K, 5000K, and 6500K	05 - Laser Spot (5°) 10 - Very Narrow Spot (10°) 15 - Narrow Spot (15°) 20 - Spot (20°) 40 - Flood (40°) 60 - Medium Flood (60°) 70 - Wide Flood (70°) 90 - Very Wide Flood (90°) E1 - Elliptical 1 (15°x60°) E2 - Elliptical 2 (30°x60°) E3 - Elliptical 3 (60°x15°) E4 - Elliptical 4 (60°x30°)	K - Black Z - Bronze S - Silver W - White C - Custom* *Provide RAL #	X - No Accessory H - Half Snoot F - Full Snoot	B - 10' External Cable Side Exit; Surface Mount; UL Listed C* - 10' External Cable Bottom Exit; Surface Mount - 1/2" NPT; UL Listed D* - 10' External Cable Side Exit; Surface Mount; CE Listed E* - 10' External Cable Bottom Exit; Surface Mount - 1/2" NPT; CE Listed

*SEE PHOTOMETARY CHART FOR LUMEN DATA

PERFORMANCE	WATTS	POWER	LUMEN OUTPUT		EFFICACY		CBCP	
			5°	40°	5°	40°	5°	40°
	8	Low Output	618	858	76	107	43,982	1,410
	15	Medium Output	1,062	1,522	71	101	75,623	2,502
	23	High Output	1,488	2,280	65	97	105,982	3,748

ALL LUMEN DATA IS FROM 4000K 80CRI FIXTURES. PLEASE SEE PHOTOMETRY SPEC SHEET FOR ADDITIONAL LUMEN DATA.

**COLOR RENDERING INDEX
COLOR CONSISTENCY**

80+, 90+
3-STEP MACADAM ELLIPSE

LUMEN DEPRECIATION

WATTS	L70 @ 25C	L70 @ 50C	L90 @ 25C	L90 @ 50C
LOW	>60,500* >(109,000)**	>60,500* >(109,000)**	>60,500* >(109,000)**	>60,500* >(109,000)**
MEDIUM	>60,500* >(109,000)**	>60,500* >(109,000)**	>60,500* >(109,000)**	>60,500* >(109,000)**
HIGH	>60,500* >(181,000)*	>36,000*	>60,500* >(69,800)**	>33,200*

* ENERGY STAR REPORTED TESTING HOURS TO DATE. CALCULATIONS FOR LED FIXTURES ARE BASED ON MEASUREMENTS THAT COMPLY WITH IES LM-80 TESTING PROCEDURES AND IES TM-21 CALCULATOR
** ESTIMATED HOURS

NOTE: Information on this Spec Sheet is subject to change, please visit ecosenselighting.com/downloads/raise for the most updated information.

ECOSENSE LIGHTING INC.
837 NORTH SPRING STREET
SUITE 103
LOS ANGELES, CA 90012

P • 310.496.6255
F • 310.496.6256
T • 855.632.6736
855.6.ECOSEN

SPECIFICATIONS SUBJECT TO CHANGE WITHOUT NOTICE. VISIT ECOSENSELIGHTING.COM FOR THE MOST CURRENT SPECIFICATIONS. FOR A LIST OF PATENTS VISIT ECOSENSELIGHTING.COM/IP-PORTFOLIO/
©2019 ECOSENSE LIGHTING INC. ALL RIGHTS RESERVED. ECOSENSE, THE ECOSENSE LOGO, TROV, TROV AND ECOSPEC ARE REGISTERED TRADEMARKS OF ECOSENSE LIGHTING INC.
RISE™, SLIM COVER™, FREEDOM TO CREATE™, MACRO™, FLIP-TO-FLAT™ ARE TRADEMARKS OF ECOSENSE LIGHTING INC.

ECOSENSELIGHTING.COM

1/4

DATE	PROJECT	FIRM	TYPE
ELECTRICAL	WATTAGE POWER FACTOR THD OPERATING VOLTAGE DRIVER STARTUP TEMPERATURE OPERATING TEMPERATURE STORAGE TEMPERATURE SURGE PROTECTION	LOW OUTPUT = 8 W; MEDIUM OUTPUT = 15 W; HIGH OUTPUT = 23 W >0.9 for 120 V (HO, MO, LO), 230 V (HO, MO), 277 V (HO) <0.2 for 120 V (HO, MO, LO), 230 V (HO, MO), 277 V (HO) MULTIVOLT: 110-277VAC, 50/60 Hz INTEGRAL TO FIXTURE; DE-RATED POWER AND SYNCHRONOUS START-UP AT FULL BRIGHTNESS -40 °F TO 122 °F (-40 °C TO 50 °C) -40 °F TO 122 °F (-40 °C TO 50 °C) -40 °F TO 176 °F (-40 °C TO 80 °C) SURGE PROTECTION DEVICES WITH A MINIMUM DISCHARGE CURRENT RATING OF 20KA, THAT MEET UL1449, CSA C22.2 No. 269.1, AND IEC TR 62066, SHOULD BE INSTALLED ON EACH BRANCH CIRCUIT.	
CONTROL	DIMMING	110-277 VAC, ELV TYPE, REVERSE PHASE, TRAILING EDGE	
PHYSICAL	DIMENSIONS HOUSING/LENS WEIGHT ENVIRONMENT MOUNTING OPTIONS WIRING TOOLS WIND LOAD (EPA) CORROSION RESISTANT	SEE DIMENSION PAGES EXTRUDED ALUMINUM; UV STABILIZED POLYCARBONATE; STAINLESS STEEL FASTENERS 5.0 LBS / 2.26 KG OUTDOOR • UL CERTIFIED FOR MARINE GRADE APPLICATIONS • WET LOCATIONS • IP66 IMPACT RATED TO IK10 MEETS 3G ANSI C136.31 VIBRATION STANDARD FOR BRIDGE APPLICATIONS WHEN USED WITH SURFACE MOUNT PLATE (INCLUDED) OR WALL MOUNT ARMS (SOLD SEPERATLY) B - EXTERNAL CABLE SIDE EXIT; SURFACE MOUNT ; UL LISTED SURFACE MOUNT PLATE INCLUDED C - EXTERNAL CABLE BOTTOM EXIT; 1/2" NPT; UL LISTED SURFACE MOUNT PLATE INCLUDED D - EXTERNAL CABLE SIDE EXIT; SURFACE MOUNT ; CE LISTED SURFACE MOUNT PLATE INCLUDED E - EXTERNAL CABLE BOTTOM EXIT; SURFACE MOUNT : CE LISTED SURFACE MOUNT PLATE INCLUDED LENGTH OF EXTERIOR CABLE 10' (3.05 m) 2.5 mm HEX KEY AND PHILLIPS #0 SCREWDRIVER FOR INTERCHANGEABLE LENS + SNOOTS 4 mm HEX KEY FOR AIMING 5 mm HEX KEY FOR MAIN TILT ARM EFFECTIVE PROJECTED AREA 2H=0.24 ft ² ; 2V=0.39 ft ² RISE HAS A HIGH-PERFORMING, CORROSION-RESISTANT FINISH THAT USES HIGH DURABILITY TRIGLYCIDYL ISOCYANURATE (TGIC) POWDER COATINGS SPECIFICALLY DESIGNED FOR NATATORIUMS AND EXTERIOR WEATHER EXPOSURE. THIS FINISH HAS BEEN TESTED AND APPROVED TO MARINE GRADE CORROSION RESISTANCE STANDARD IN UL1598A, ASTM B117 SALT FOG TEST FOR 200 HOURS.	

FIXTURE RATING & CERTIFICATIONS **UL1598A MARINE CERTIFIED**
CE, RoHS COMPLIANT, IK10



LIMITED WARRANTY **5 YEARS**

0-10V CONTROL OPTIONS

100-120 VAC / 277 VAC Linear Dimming Control Module 0-10 V - Plenum Rated LDCM-PL-120-277-010V-GR

All products come standard with ELV dimming capabilities. 0-10 V Control options required for operation at 0-10 V.

OPTIONAL ACCESSORIES

Snoots

Full Snoot, Color Finish (K=Black, Z=Bronze, S=Silver, W=White, C=Custom) F080-F-(K,Z,S,W,C)
 Half Multi-Fixture Snoot, Color Finish (K=Black, Z=Bronze, S=Silver, W=White, C=Custom) F080-HM-(K,Z,S,W,C)

Interchangeable Lens

If inner optic = 5°,

Desired angle **Order the following spread lens**

5 Degree F080-LENS-05
 10 Degree F080-LENS-10
 15 Degree F080-LENS-15
 20 Degree F080-LENS-20
 40 Degree F080-LENS-40
 60 Degree F080-LENS-60
 80 Degree F080-LENS-80
 15x60 or 60x15 Degree F080-LENS-E1E3
 30x60 or 60x30 Degree F080-LENS-E2E4
 Full Set of Beam Angle Lens Degree (5, 10, 15, 20, 40, 60, 80, 15X60 or 60X15, 30X60 or 60X30) F080-LENS-FULLSET

NOTE: Information on this Spec Sheet is subject to change, please visit ecosenselighting.com/downloads/raise for the most updated information.

ECOSENSE LIGHTING INC.
 837 NORTH SPRING STREET
 SUITE 103
 LOS ANGELES, CA 90012

P • 310.496.6255
F • 310.496.6256
T • 855.632.6736
 855.6.ECOSEN

SPECIFICATIONS SUBJECT TO CHANGE WITHOUT NOTICE. VISIT ECOSENSELIGHTING.COM FOR THE MOST CURRENT SPECIFICATIONS. FOR A LIST OF PATENTS VISIT ECOSENSELIGHTING.COM/IP-PORTFOLIO/ ©2019 ECOSENSE LIGHTING INC. ALL RIGHTS RESERVED. ECOSENSE, THE ECOSENSE LOGO, TROV, TROV AND ECOSPEC ARE REGISTERED TRADEMARKS OF ECOSENSE LIGHTING INC. RISE™, SLIM COVER™, FREEDOM TO CREATE™, MACRO™, FLIP-TO-FLAT™ ARE TRADEMARKS OF ECOSENSE LIGHTING INC.

ECOSENSELIGHTING.COM

2/4

DATE	PROJECT	FIRM	TYPE
------	---------	------	------

If inner optic = 40°,

Desired angle	Order the following spread lens
5 Degree	NOT SUPPORTED
10 Degree	NOT SUPPORTED
15 Degree	NOT SUPPORTED
20 Degree	NOT SUPPORTED
40 Degree	F080-LENS-10
60 Degree	F080-LENS-40
70 Degree	F080-LENS-60
90 Degree	F080-LENS-80
15x60 or 60x15 Degree	NOT SUPPORTED
30x60 or 60x30 Degree	NOT SUPPORTED
Full Set of Beam Angle Lens Degree (5, 10, 15, 20, 40, 60, 80, 15X60 or 60X15, 30X60 or 60X30)	F080-LENS-FULLSET

Honeycomb Louver

Honeycomb Louver F080.....	F080-LV-HComb
----------------------------	---------------

Color Filters

Red	F080-FILTER-RED
Blue	F080-FILTER-BLUE
Green	F080-FILTER-GREEN
Amber	F080-FILTER-AMBER

F080 Multi-Fixture (DUO, QUAD) Wall Mount Arm (for use only with Wiring Option C - External Cable Bottom Exit)

Wall Mount Arm, 6 inch, Color Finish (K=Black, Z=Bronze, S=Silver, W=White, C=Custom)	F170-WMA-06-(K,Z,S,W,C)
Wall Mount Arm, 12 inch, Color Finish (K=Black, Z=Bronze, S=Silver, W=White, C=Custom)	F170-WMA-12-(K,Z,S,W,C)
Wall Mount Arm, 18 inch, Color Finish (K=Black, Z=Bronze, S=Silver, W=White, C=Custom)	F170-WMA-18-(K,Z,S,W,C)
Wall Mount Arm, 24 inch, Color Finish (K=Black, Z=Bronze, S=Silver, W=White, C=Custom)	F170-WMA-24-(K,Z,S,W,C)

Ground Stake (for use only with Wiring Option C - External Cable Bottom Exit)

Landscape Stake, 12 in, Black (for use with F170 Single or F080 Multi-Head fixtures).....	F170-LS-1S-STK-12
---	-------------------

Perma Post (for use only with Wiring Option A, C, or E - For use with Single and Multi-up fixtures)

Perma Post and Cap - 19" x 2-3/4", Black, Post and Cap with 1/2" NPT female thread	RISE-PERMA-POST-19
--	--------------------

Slip Fitter (for use only with Wiring Option A, C, or E - For use with Single and Multi-up fixtures)

Slip Fitter, 2-3/8" post, 1/2" NPT female threads, Color Finish (K=Black, Z=Bronze, S=Silver, W=White, C=Custom)	RISE-SLIP-FITTER-(K,Z,S,W,C)
--	------------------------------

Canopy Plate (Not for use with Option B or D - External Cable Side Exit)

Canopy Plate, 4" Dia Round J-Box Cover, 1/2" NPT female thread (K=Black, Z=Bronze, S=Silver, W=White, C=Custom)	RISE-CANOPY-04-(K,Z,S,W,C)
---	----------------------------

Junction Box Cover (Not for use with Option B or D - External Cable Side Exit)

Junction Box Cover, 2x4, Single 1/2" NPT female thread, Silver Grey.....	RISE-JBC-RABR14
--	-----------------

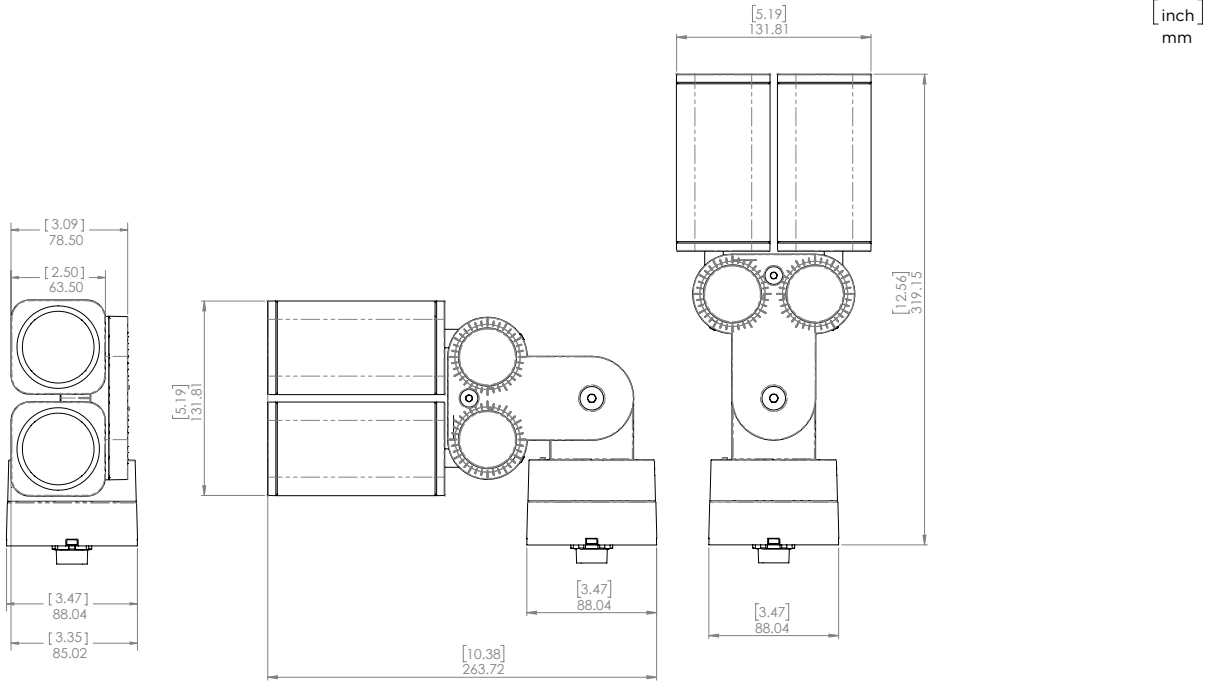
Tree Strap (Not for use with Option B or D - External Cable Side Exit)

Tree mount with strap and junction box and cover, 72" strap for 23" diameter trees, Bronze.....	RISE-CANOPY-04-(K,Z,S,W,C)
---	----------------------------

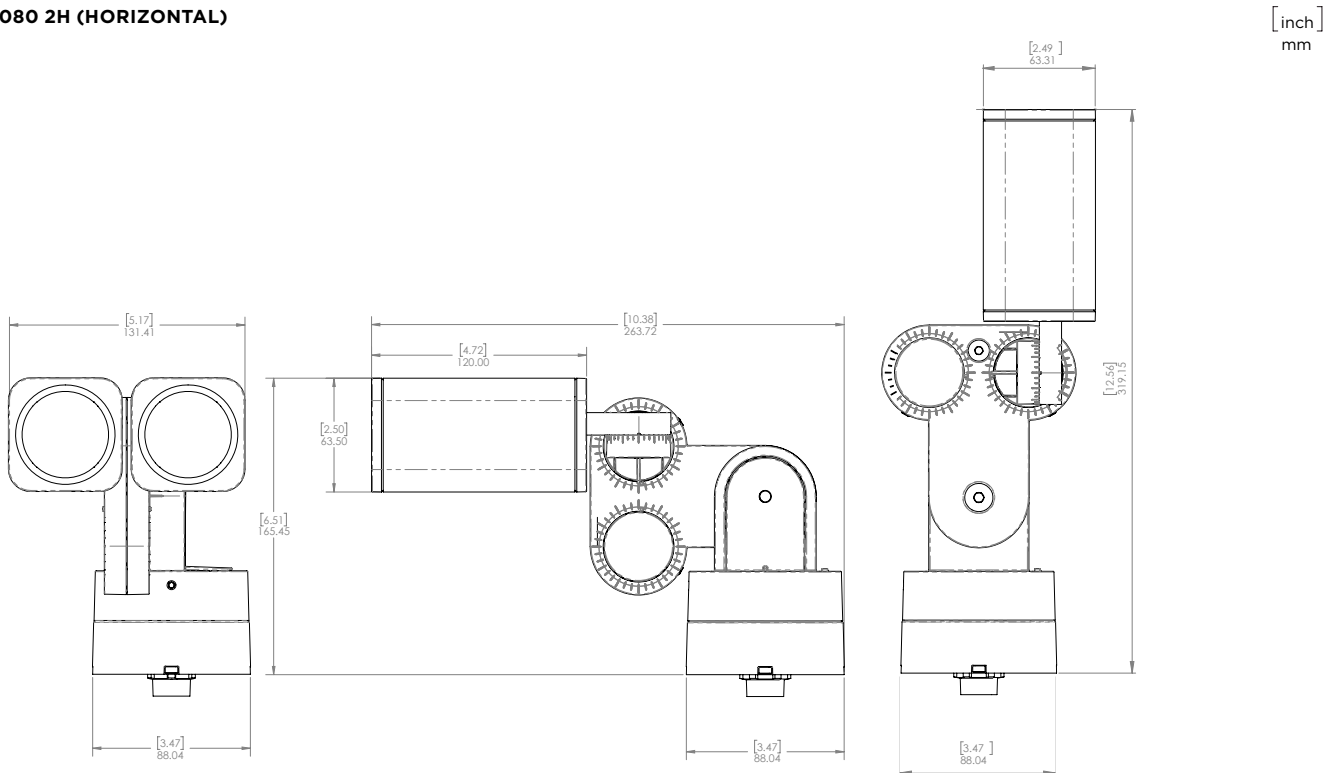
NOTE: Information on this Spec Sheet is subject to change, please visit ecosenselighting.com/downloads/raise for the most updated information.

DATE	PROJECT	FIRM	TYPE
------	---------	------	------

DIMENSIONS - F080 2V (VERTICAL)



DIMENSIONS - F080 2H (HORIZONTAL)



NOTE: Information on this Spec Sheet is subject to change, please visit ecosenselighting.com/downloads/raise for the most updated information.

ECOSENSE LIGHTING INC.
 837 NORTH SPRING STREET
 SUITE 103
 LOS ANGELES, CA 90012

P • 310.496.6255
F • 310.496.6256
T • 855.632.6736
855.6.ECOSEN

SPECIFICATIONS SUBJECT TO CHANGE WITHOUT NOTICE. VISIT [ECOSENSELIGHTING.COM](https://ecosenselighting.com) FOR THE MOST CURRENT SPECIFICATIONS. FOR A LIST OF PATENTS VISIT [ECOSENSELIGHTING.COM/IP-PORTFOLIO/](https://ecosenselighting.com/ip-portfolio/). ©2019 ECOSENSE LIGHTING INC. ALL RIGHTS RESERVED. ECOSENSE, THE ECOSENSE LOGO, TROV, TROV AND ECOSPEC ARE REGISTERED TRADEMARKS OF ECOSENSE LIGHTING INC. RISE™, SLIM COVER™, FREEDOM TO CREATE™, MACRO™, FLIP-TO-FLAT™ ARE TRADEMARKS OF ECOSENSE LIGHTING INC.

[ECOSENSELIGHTING.COM](https://ecosenselighting.com)

4/4