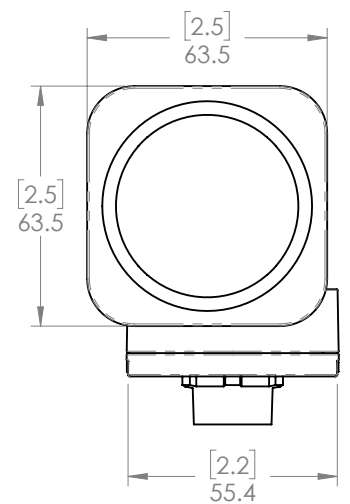
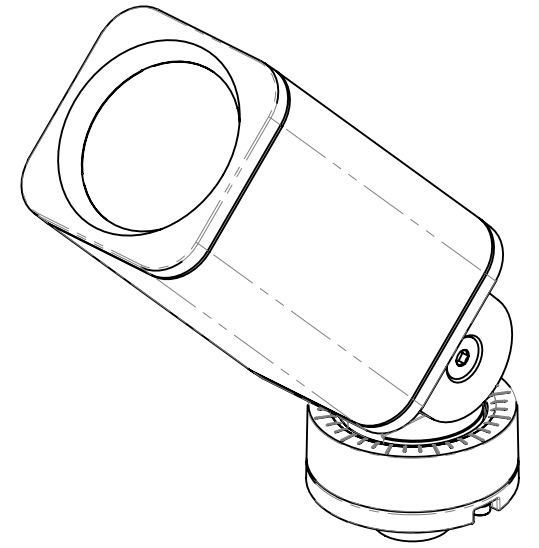
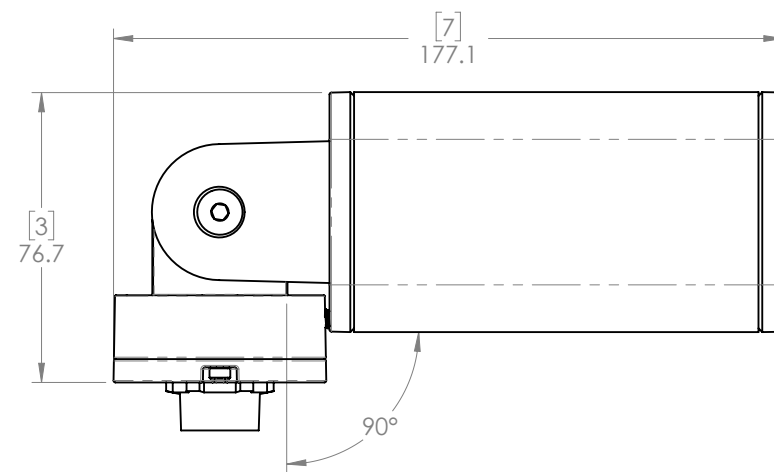
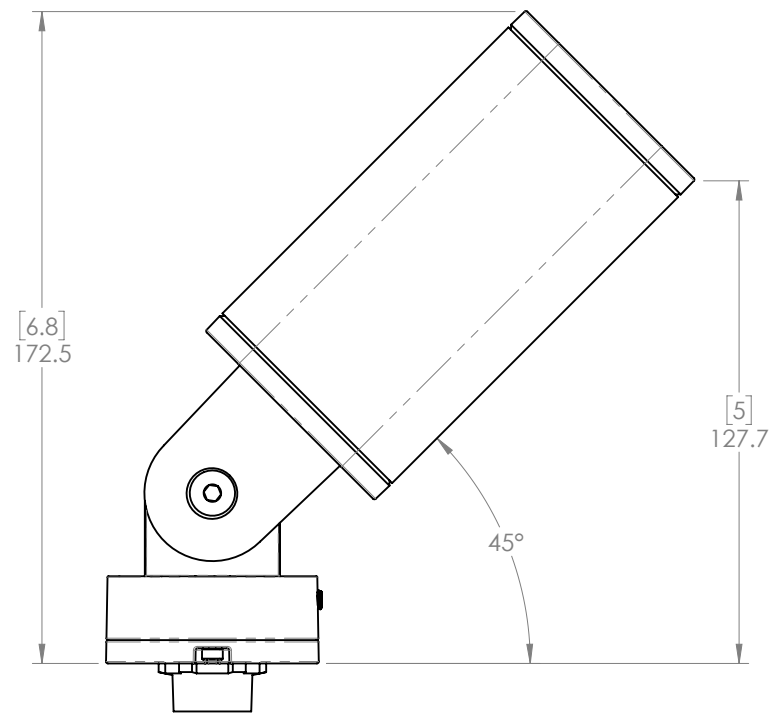
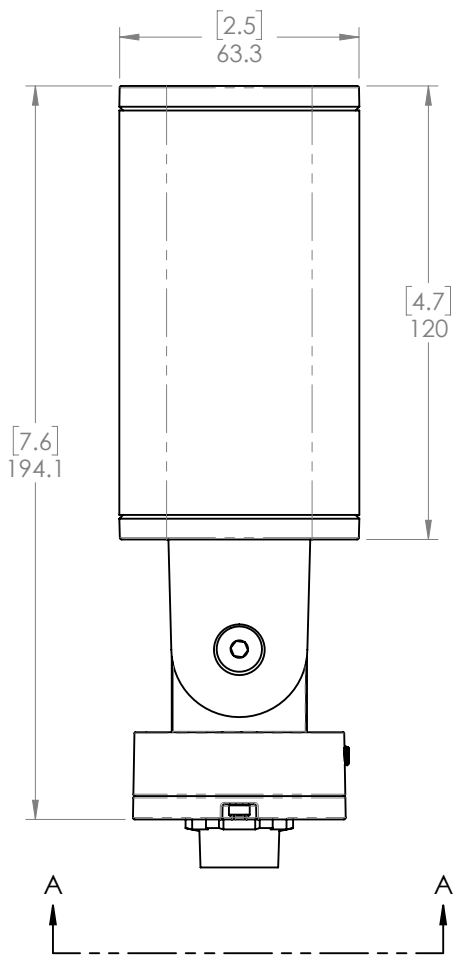
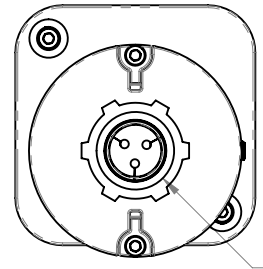


1/2-14 NPT PLUG

VIEW A-A
(BOTTOM VIEW)

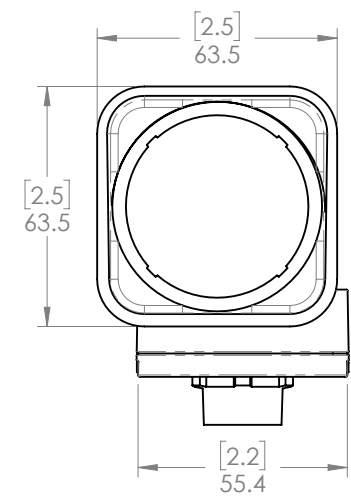
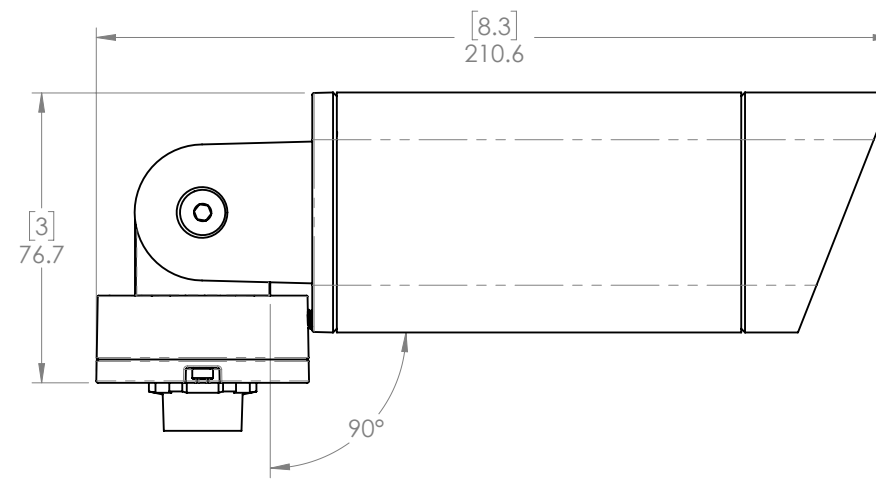
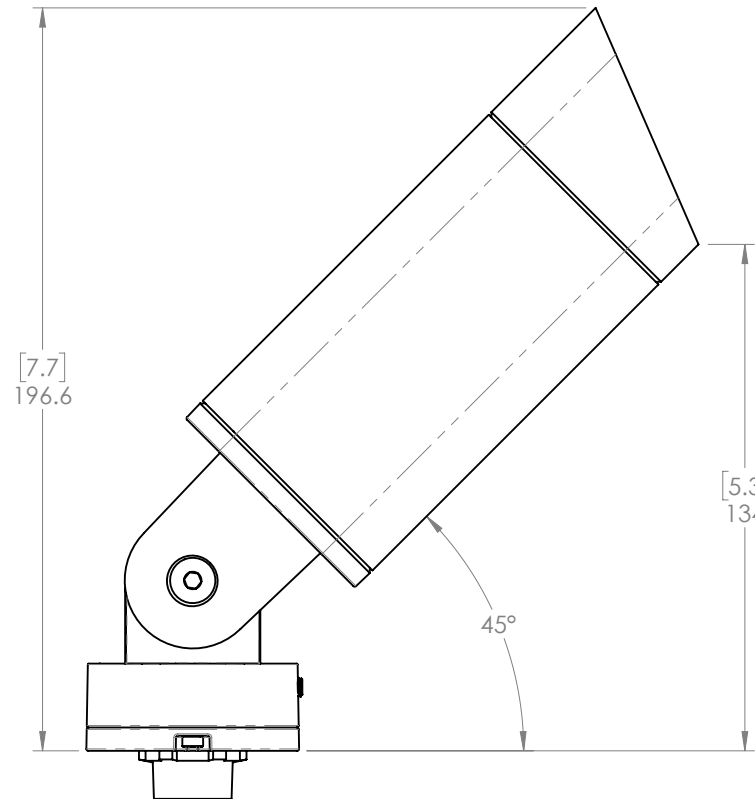
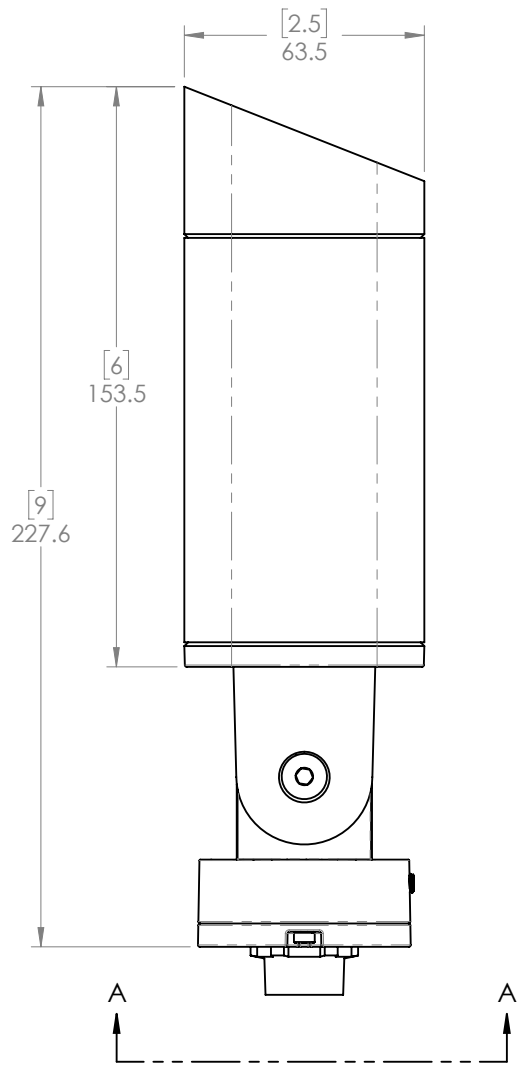
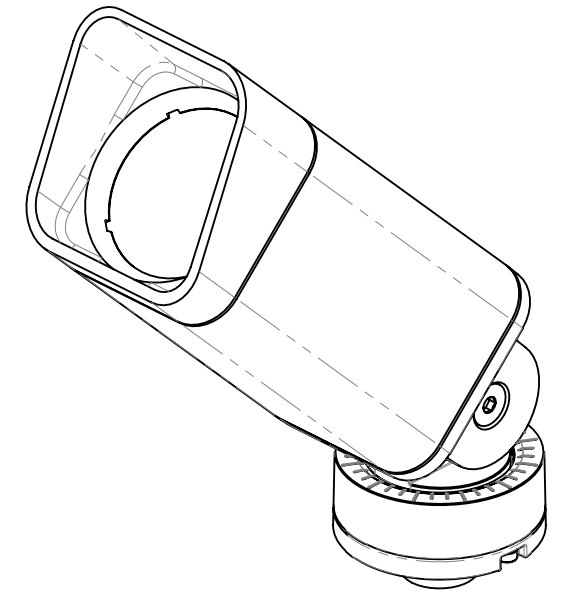


<p>PROPRIETARY AND CONFIDENTIAL</p> <p>THE INFORMATION CONTAINED IN THIS DRAWING IS THE SOLE PROPERTY OF ECOSENSE LIGHTING, INC. ANY REPRODUCTION IN PART OR AS A WHOLE WITHOUT THE WRITTEN PERMISSION OF ECOSENSE LIGHTING IS PROHIBITED. © 2017 ECOSENSE LIGHTING, INC.</p>	<p>UNLESS OTHERWISE SPECIFIED</p> <p>DIMENSIONS ARE IN MILLIMETERS</p> <p>TOLERANCES PER DIN ISO 2768 T1 CLASS M (MEDIUM)</p> <p>INTERPRET GEOMETRIC TOLERANCING PER: ASME Y14.5</p>	<p>ECOSENSE</p>			
		<p>TITLE</p> <p>RISE F080 SINGLE (IC BASE)</p>			
		<p>DRAWN BY</p> <p>J. HAWKINS</p>	<p>DATE DRAWN</p> <p>06/12/2017</p>	<p>DRAWING NUMBER</p>	<p>REV</p>
<p>PROJECT ENGINEER</p>	<p>THIRD ANGLE PROJECTION</p>	<p>SIZE</p> <p>B</p>	<p>SCALE</p> <p>1:2</p>	<p>SHEET</p> <p>1 OF 3</p>	

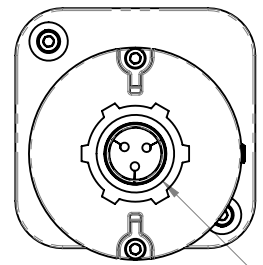


1/2-14 NPT PLUG

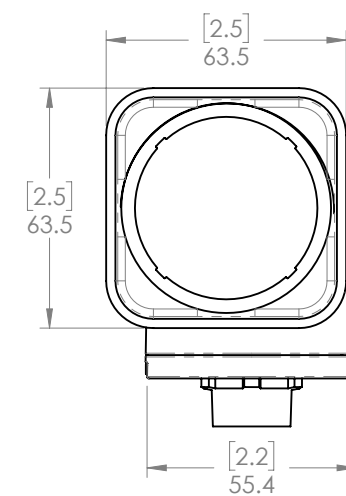
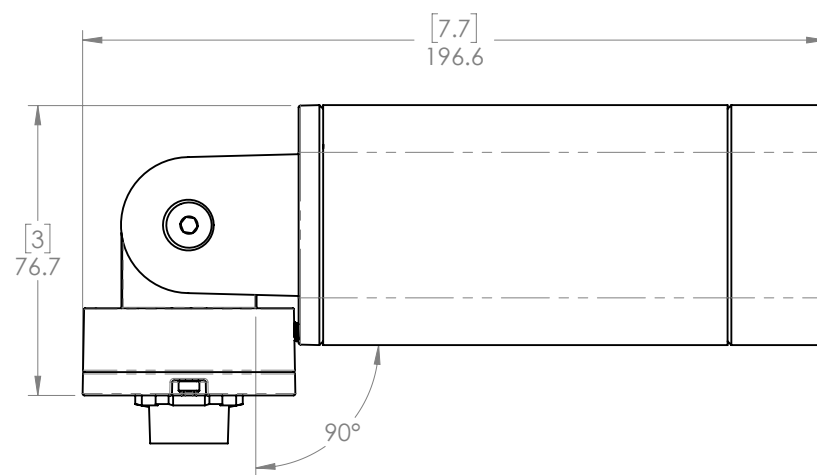
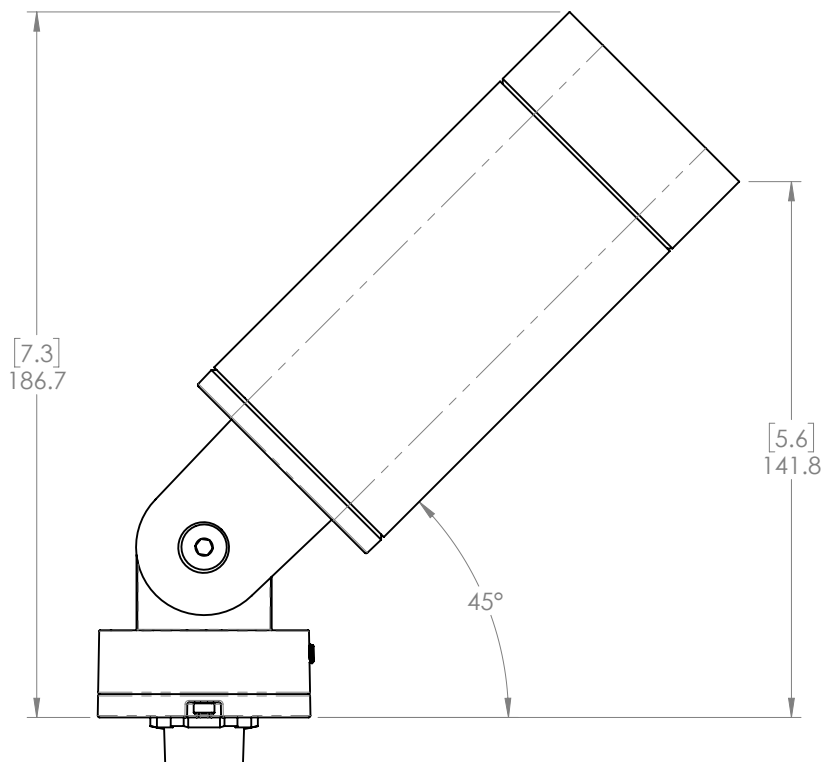
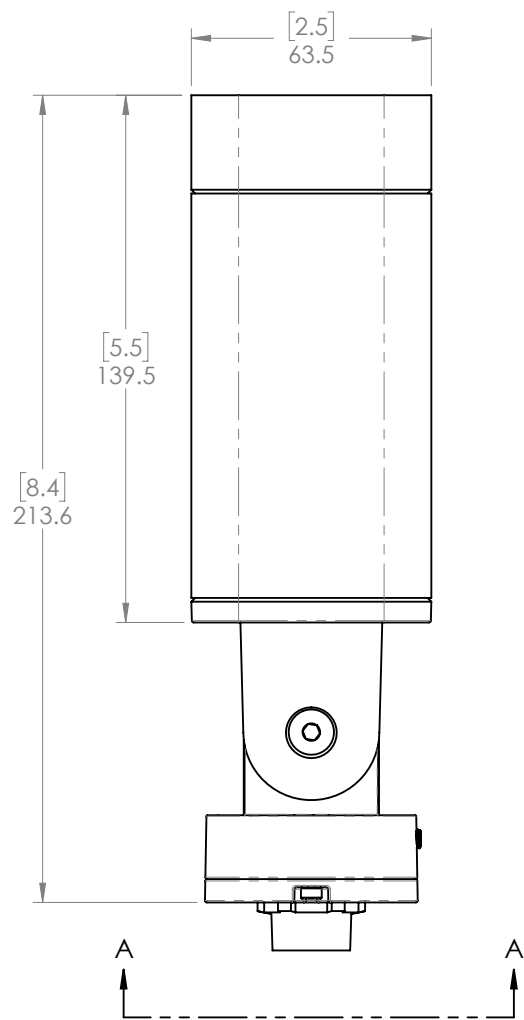
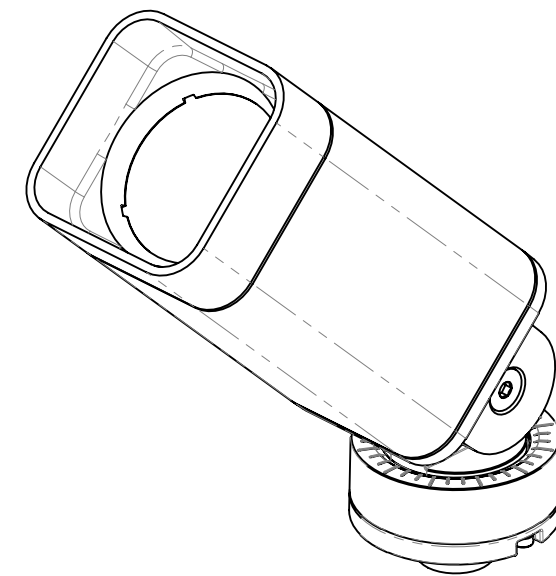
VIEW A-A
(BOTTOM VIEW)



<p>PROPRIETARY AND CONFIDENTIAL</p> <p>THE INFORMATION CONTAINED IN THIS DRAWING IS THE SOLE PROPERTY OF ECOSENSE LIGHTING, INC. ANY REPRODUCTION IN PART OR AS A WHOLE WITHOUT THE WRITTEN PERMISSION OF ECOSENSE LIGHTING IS PROHIBITED. © 2017 ECOSENSE LIGHTING, INC.</p>	UNLESS OTHERWISE SPECIFIED					
	DIMENSIONS ARE IN MILLIMETERS		TITLE			
	TOLERANCES PER DIN ISO 2768 T1 CLASS M (MEDIUM)		DRAWN BY		DATE DRAWN	DRAWING NUMBER
INTERPRET GEOMETRIC TOLERANCING PER: ASME Y14.5		J. HAWKINS		06/12/2017		
		PROJECT ENGINEER		THIRD ANGLE PROJECTION		SIZE B SCALE 1:2 SHEET 2 OF 3



VIEW A-A
(BOTTOM VIEW) — 1/2-14 NPT PLUG



PROPRIETARY AND CONFIDENTIAL THE INFORMATION CONTAINED IN THIS DRAWING IS THE SOLE PROPERTY OF ECOSENSE LIGHTING, INC. ANY REPRODUCTION IN PART OR AS A WHOLE WITHOUT THE WRITTEN PERMISSION OF ECOSENSE LIGHTING IS PROHIBITED. © 2017 ECOSENSE LIGHTING, INC.	UNLESS OTHERWISE SPECIFIED					
	DIMENSIONS ARE IN MILLIMETERS	TITLE RISE F080 SINGLE (IC BASE)				
	TOLERANCES PER DIN ISO 2768 T1 CLASS M (MEDIUM) INTERPRET GEOMETRIC TOLERANCING PER: ASME Y14.5	DRAWN BY J. HAWKINS	DATE DRAWN 06/12/2017	DRAWING NUMBER	REV	
	PROJECT ENGINEER	THIRD ANGLE PROJECTION		SIZE B	SCALE 1:2	SHEET 3 OF 3