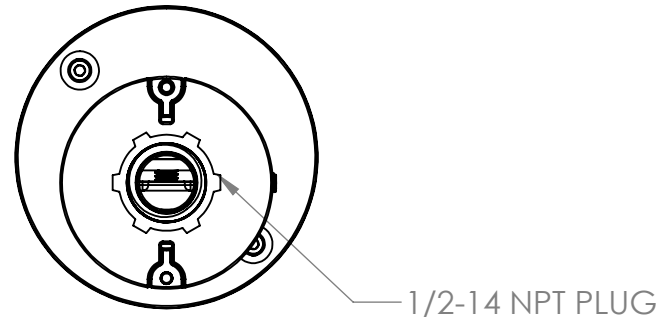
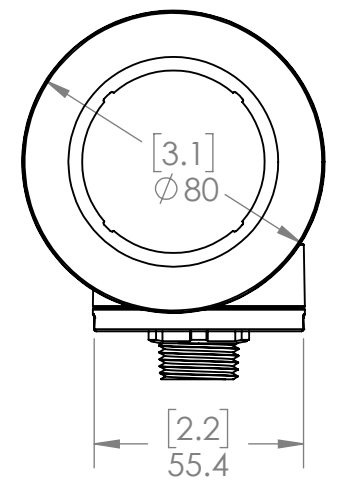
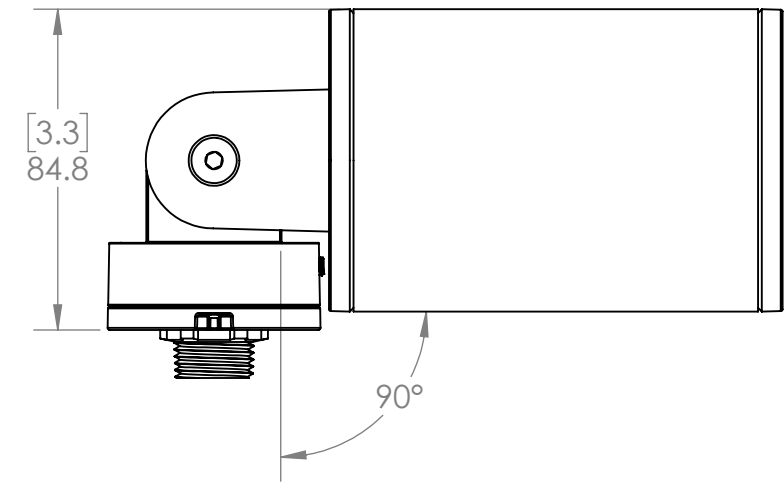
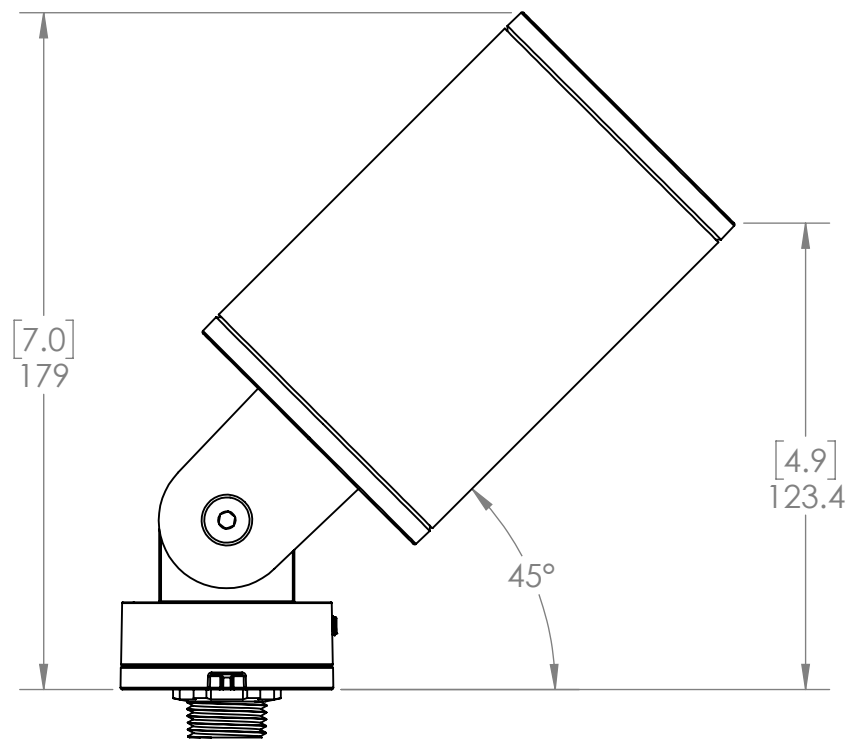
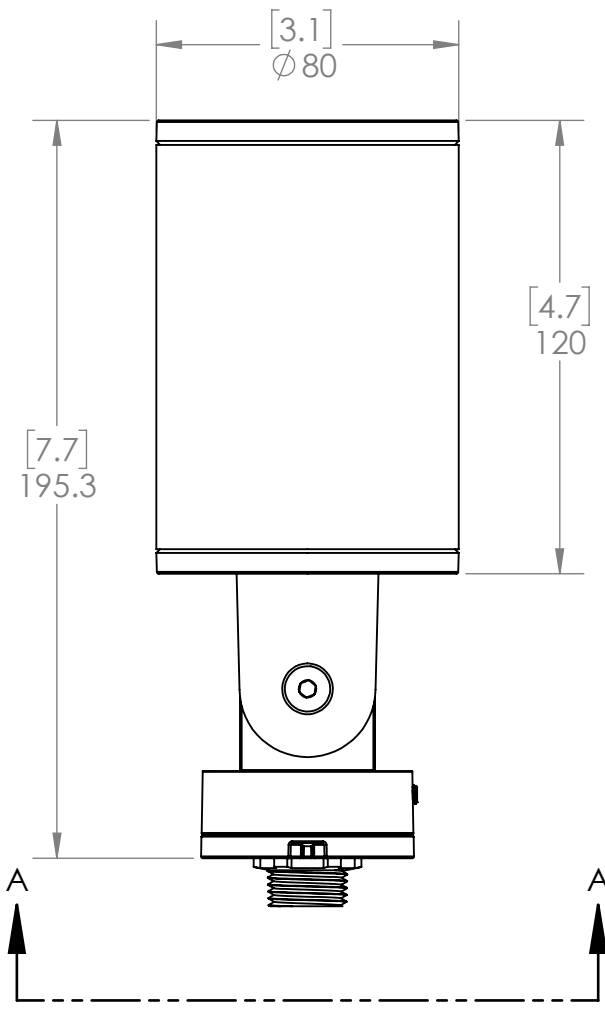
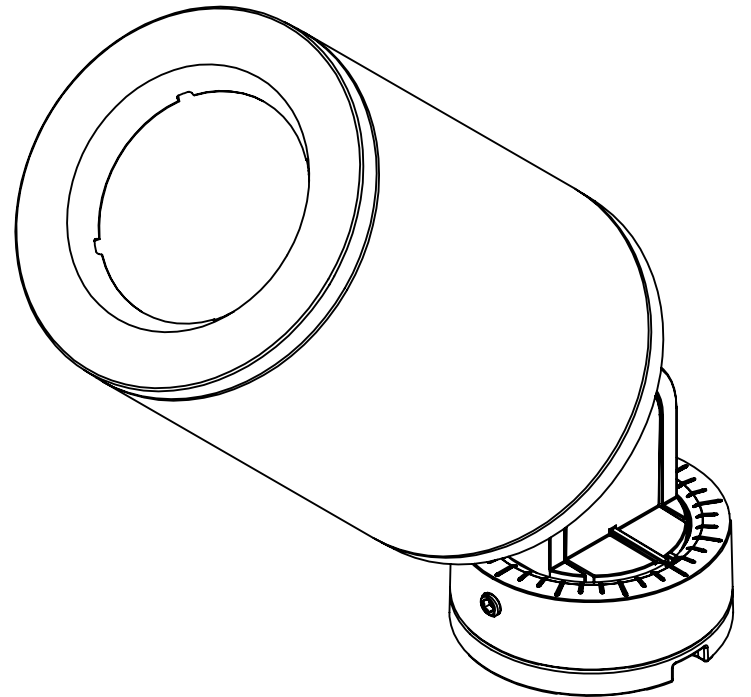


8 7 6 5 4 3 2 1

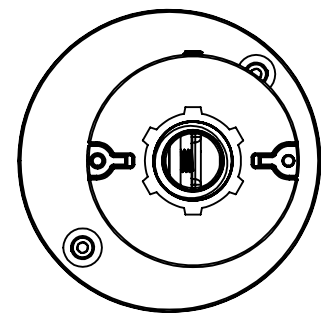


SECTION A-A
[BOTTOM VIEW]

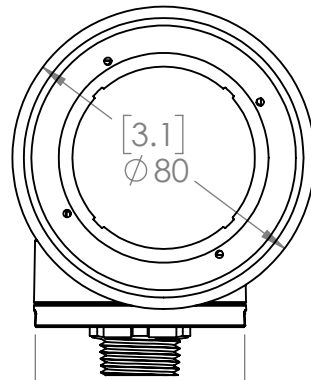


PROPRIETARY AND CONFIDENTIAL THE INFORMATION CONTAINED IN THIS DRAWING IS THE SOLE PROPERTY OF ECOSENSE LIGHTING, INC. ANY REPRODUCTION IN PART OR AS A WHOLE WITHOUT THE WRITTEN PERMISSION OF ECOSENSE LIGHTING IS PROHIBITED. © 2017 ECOSENSE LIGHTING, INC.	UNLESS OTHERWISE SPECIFIED DIMENSIONS ARE IN MILLIMETERS TOLERANCES PER DIN ISO 2768 T1 CLASS M (MEDIUM) INTERPRET GEOMETRIC TOLERANCING PER: ASME Y14.5	ECOSENSE TITLE: RISE F080 ROUND (IC BASE)			
		DRAWN BY: A.GLADCHENKO	DATE DRAWN: 10/31/2019	DRAWING NUMBER:	REV: A
		APPROVED:	THIRD ANGLE PROJECTION	SIZE: B	SCALE: 1:2

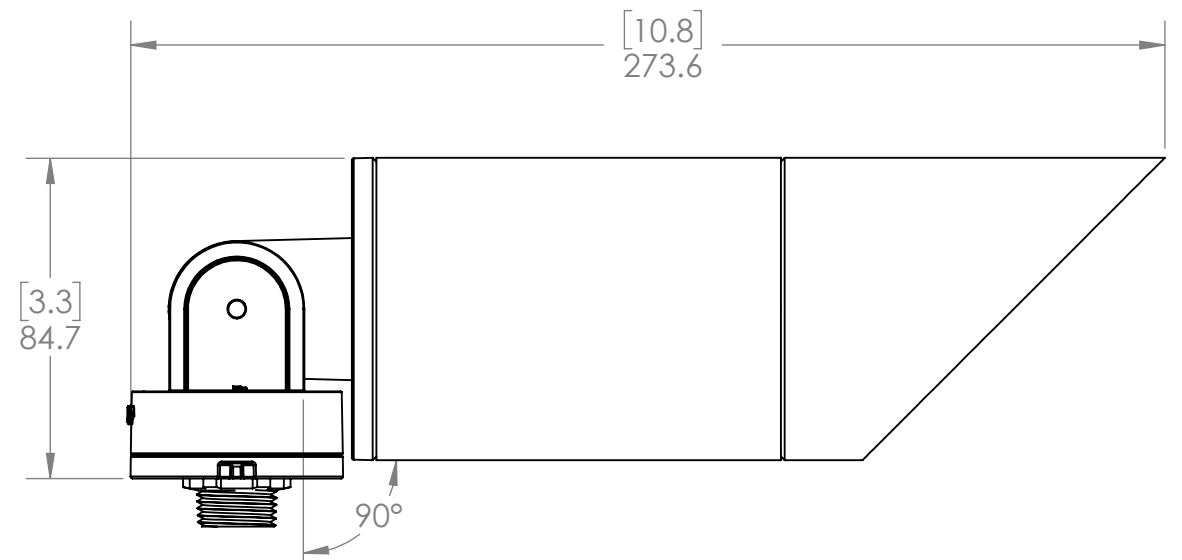
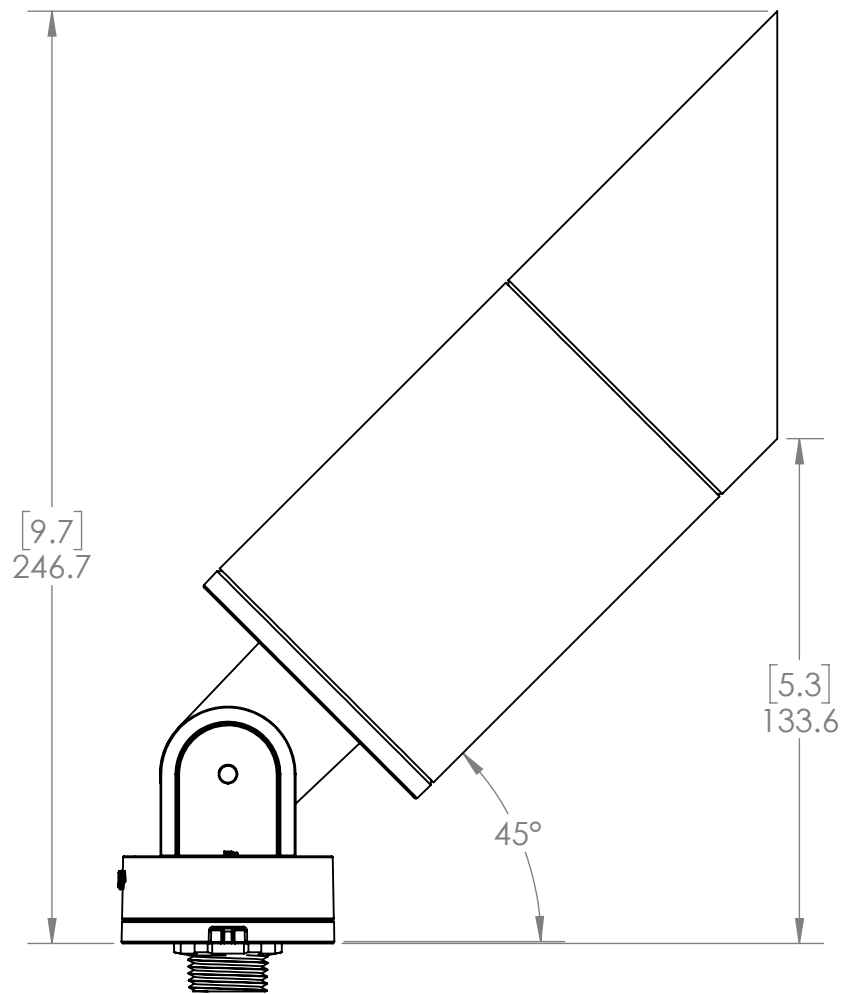
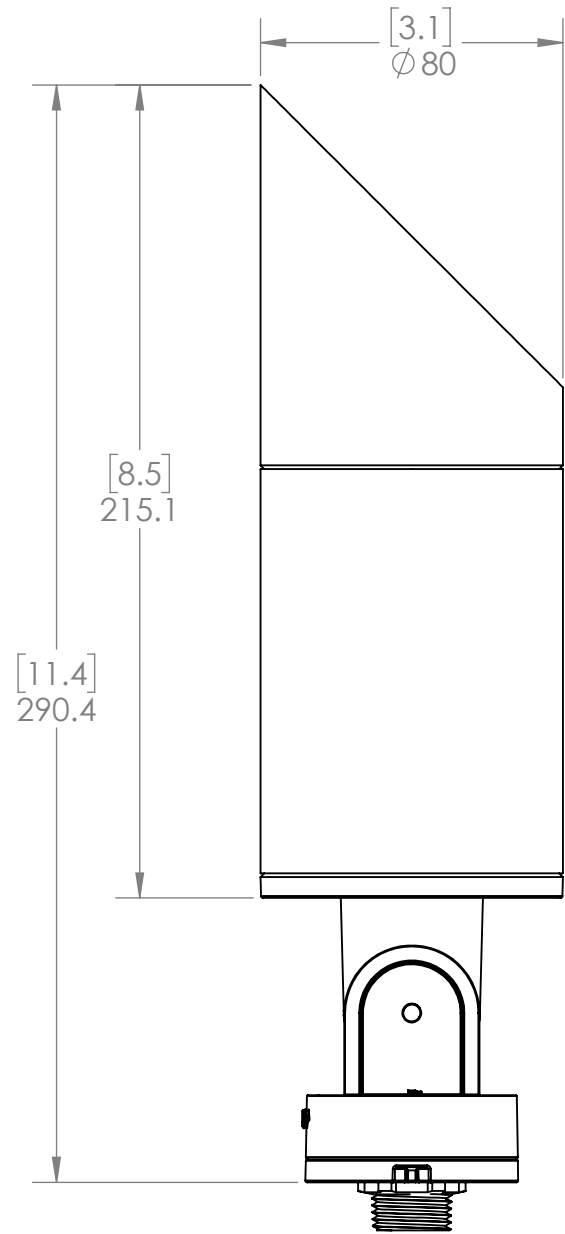
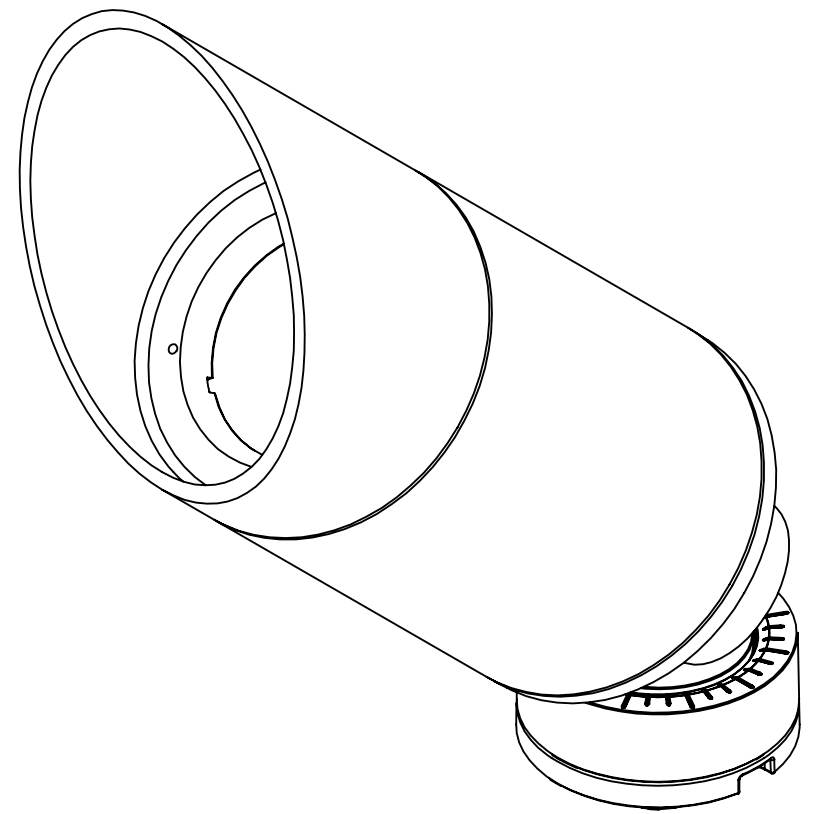
8 7 6 5 4 3 2 1



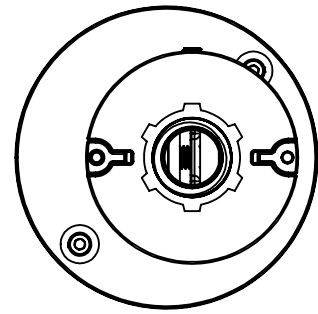
[BOTTOM VIEW]



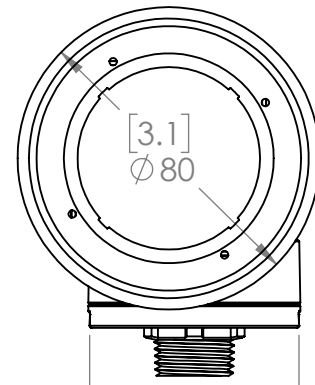
[TOP VIEW]



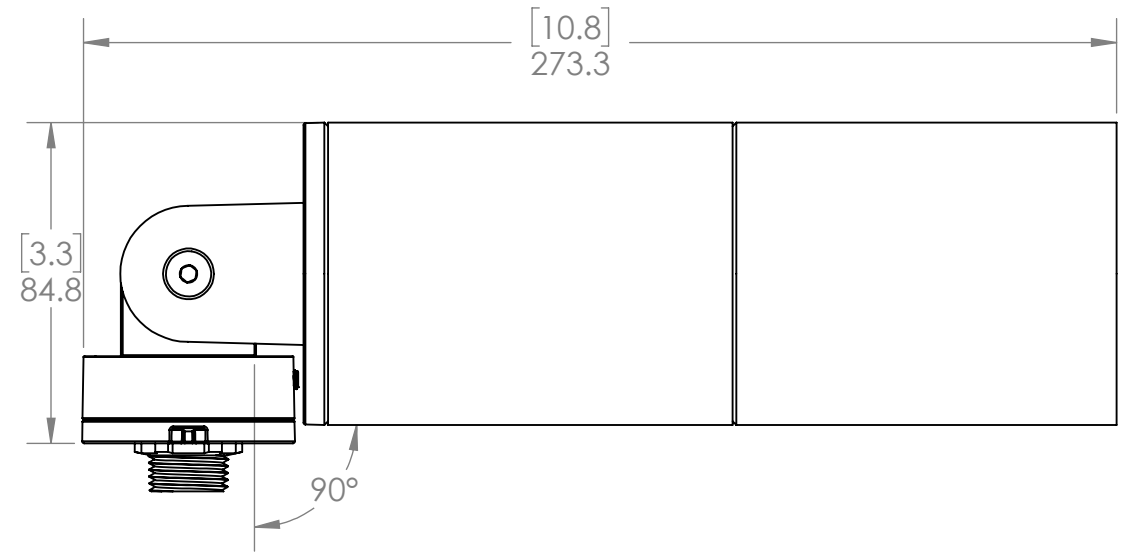
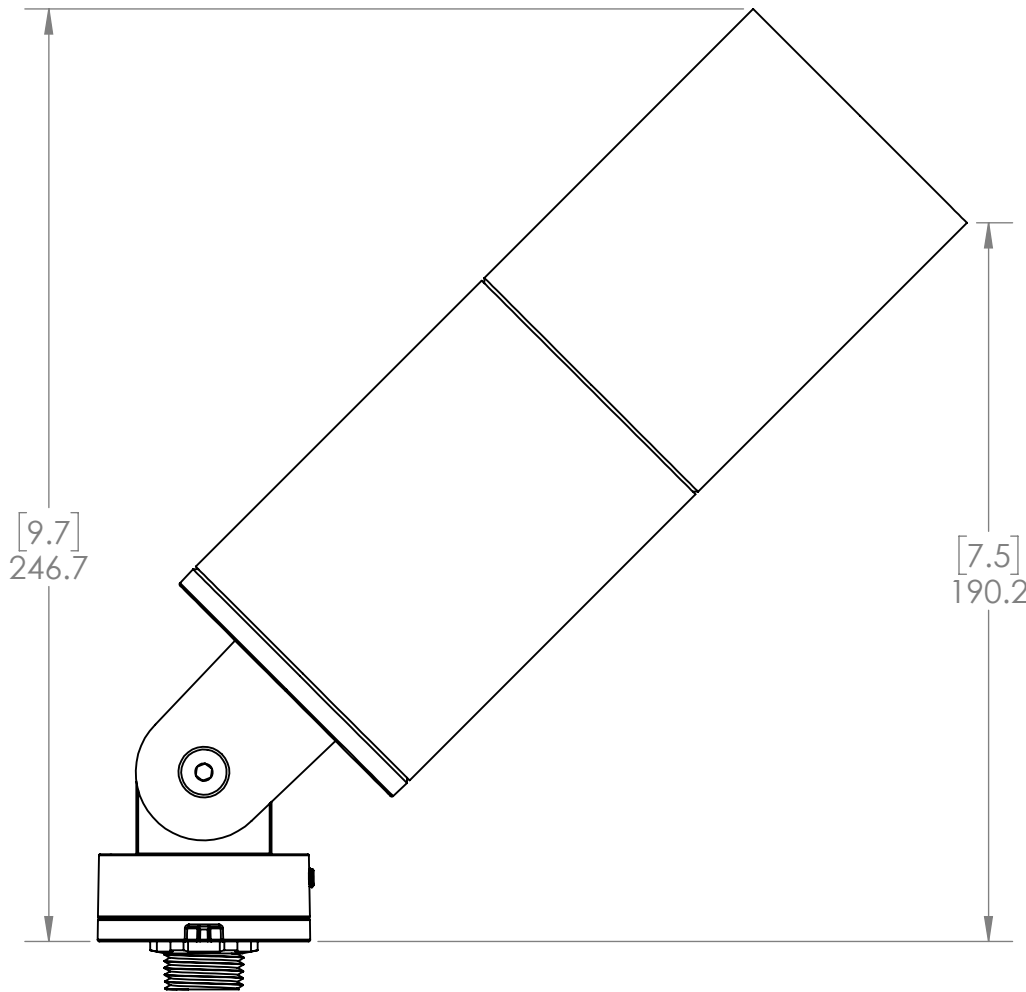
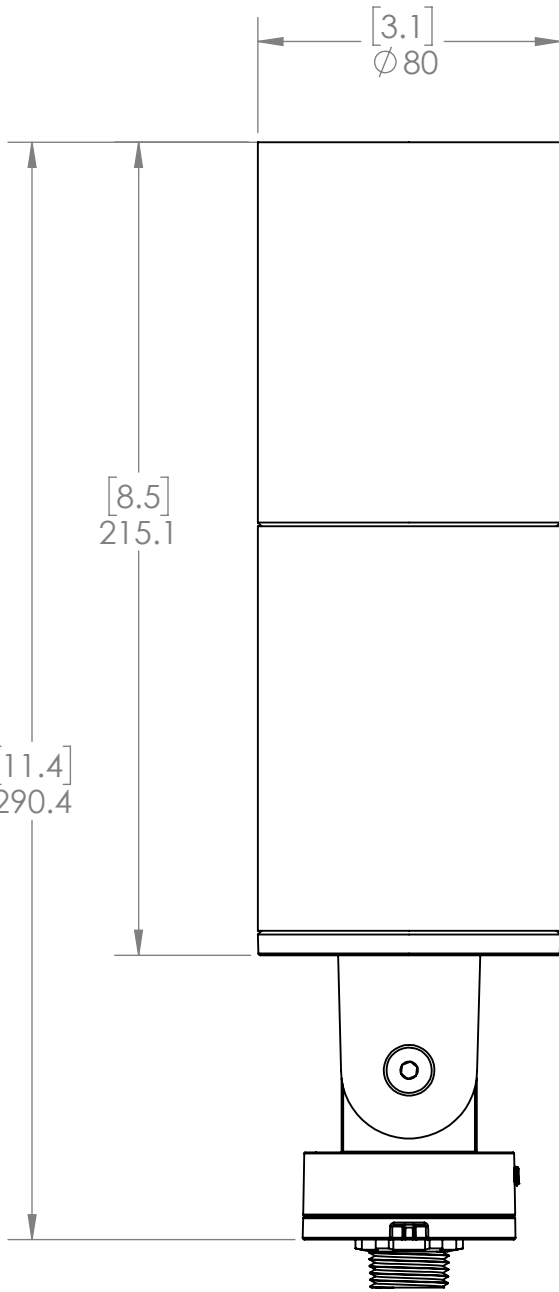
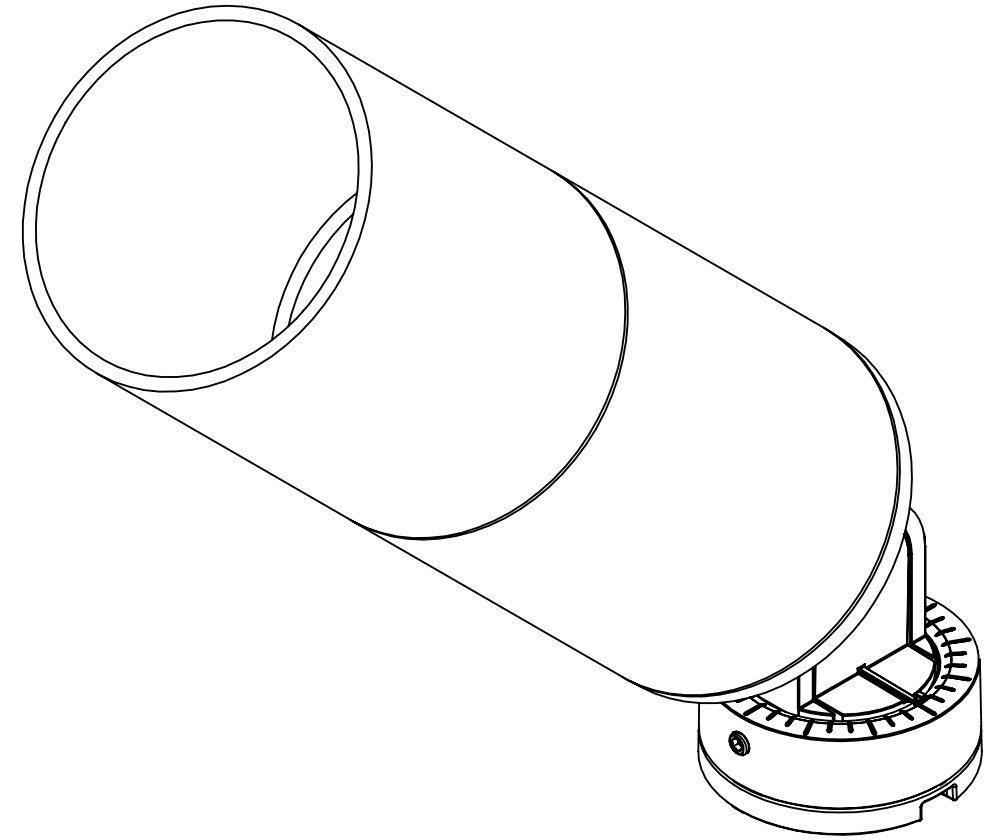
<p>PROPRIETARY AND CONFIDENTIAL</p> <p>THE INFORMATION CONTAINED IN THIS DRAWING IS THE SOLE PROPERTY OF ECOSENSE LIGHTING, INC. ANY REPRODUCTION IN PART OR AS A WHOLE WITHOUT THE WRITTEN PERMISSION OF ECOSENSE LIGHTING IS PROHIBITED. © 2017 ECOSENSE LIGHTING, INC.</p>	<p>UNLESS OTHERWISE SPECIFIED</p> <p>DIMENSIONS ARE IN MILLIMETERS</p> <p>TOLERANCES PER DIN ISO 2768 T1 CLASS M (MEDIUM)</p> <p>INTERPRET GEOMETRIC TOLERANCING PER: ASME Y14.5</p>	<p>ECOSENSE</p> <p>TITLE: RISE F080 ROUND (IC BASE)</p>			
		<p>DRAWN BY: A.GLADCHENKO</p>	<p>DATE DRAWN: 10/31/2019</p>	<p>DRAWING NUMBER</p>	<p>REV: A</p>
		<p>APPROVED</p>	<p>THIRD ANGLE PROJECTION</p>	<p>SIZE: B</p>	<p>SCALE: 1:2</p>



[BOTTOM VIEW]



[TOP VIEW]



<p>PROPRIETARY AND CONFIDENTIAL</p> <p>THE INFORMATION CONTAINED IN THIS DRAWING IS THE SOLE PROPERTY OF ECOSENSE LIGHTING, INC. ANY REPRODUCTION IN PART OR AS A WHOLE WITHOUT THE WRITTEN PERMISSION OF ECOSENSE LIGHTING IS PROHIBITED. © 2017 ECOSENSE LIGHTING, INC.</p>	<p>UNLESS OTHERWISE SPECIFIED</p> <p>DIMENSIONS ARE IN MILLIMETERS</p> <p>TOLERANCES PER DIN ISO 2768 T1 CLASS M (MEDIUM)</p> <p>INTERPRET GEOMETRIC TOLERANCING PER: ASME Y14.5</p>	<p>ECOSENSE</p>			
		<p>TITLE: RISE F080 ROUND (IC BASE)</p>			
		<p>DRAWN BY: A.GLADCHENKO</p>	<p>DATE DRAWN: 10/31/2019</p>	<p>DRAWING NUMBER</p>	<p>REV: A</p>
		<p>APPROVED</p>	<p>THIRD ANGLE PROJECTION</p>	<p>SIZE: B</p>	<p>SCALE: 1:2</p>
				<p>SHEET: 3 OF 3</p>	