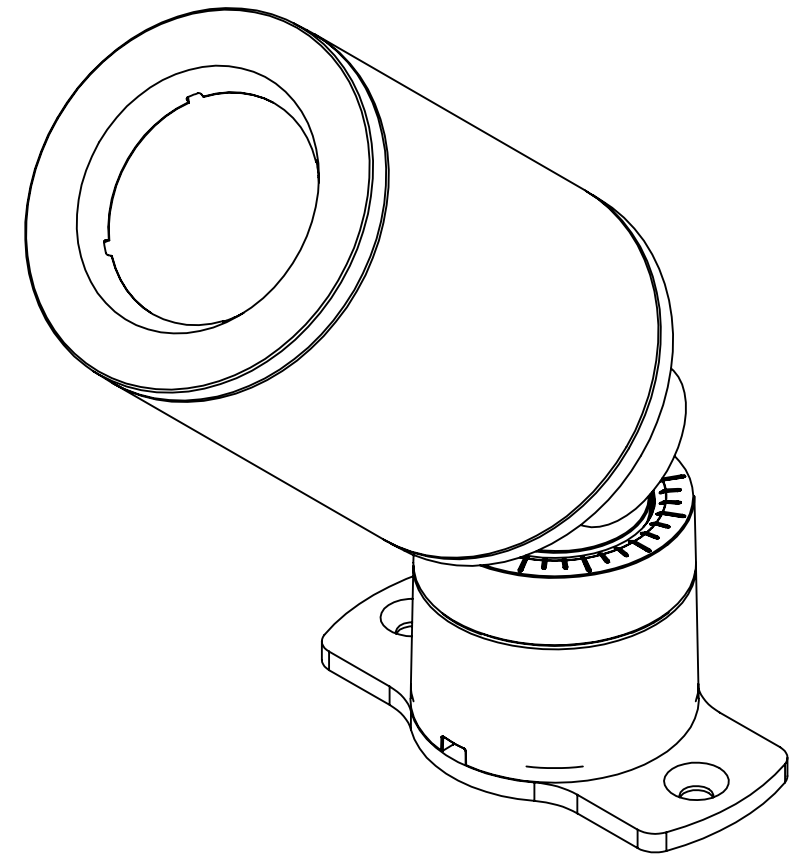
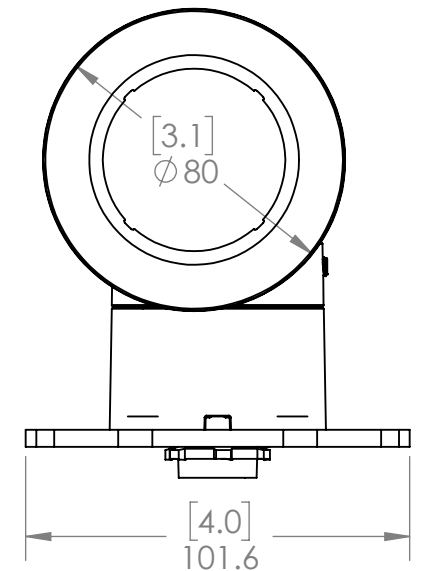
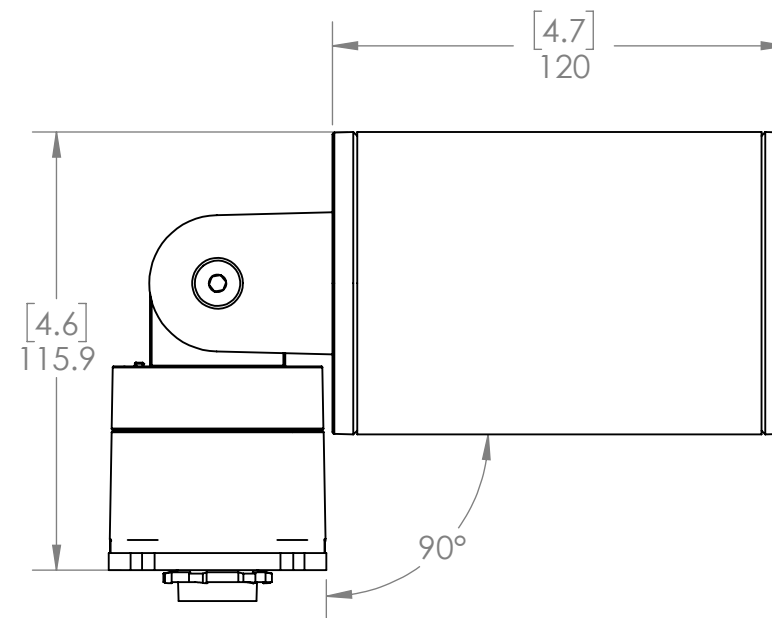
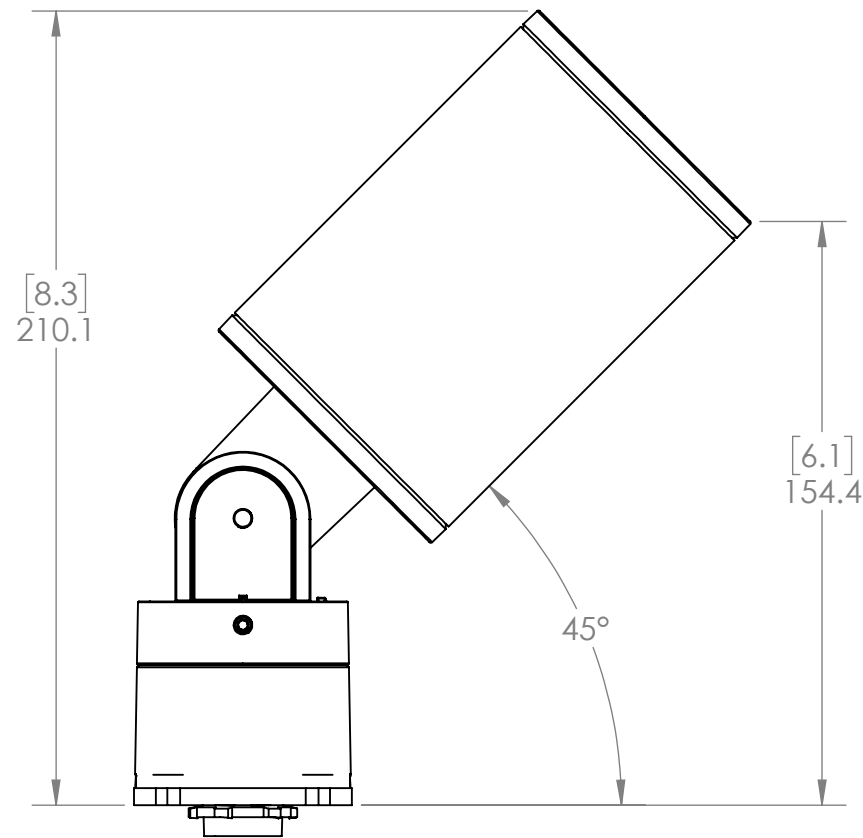
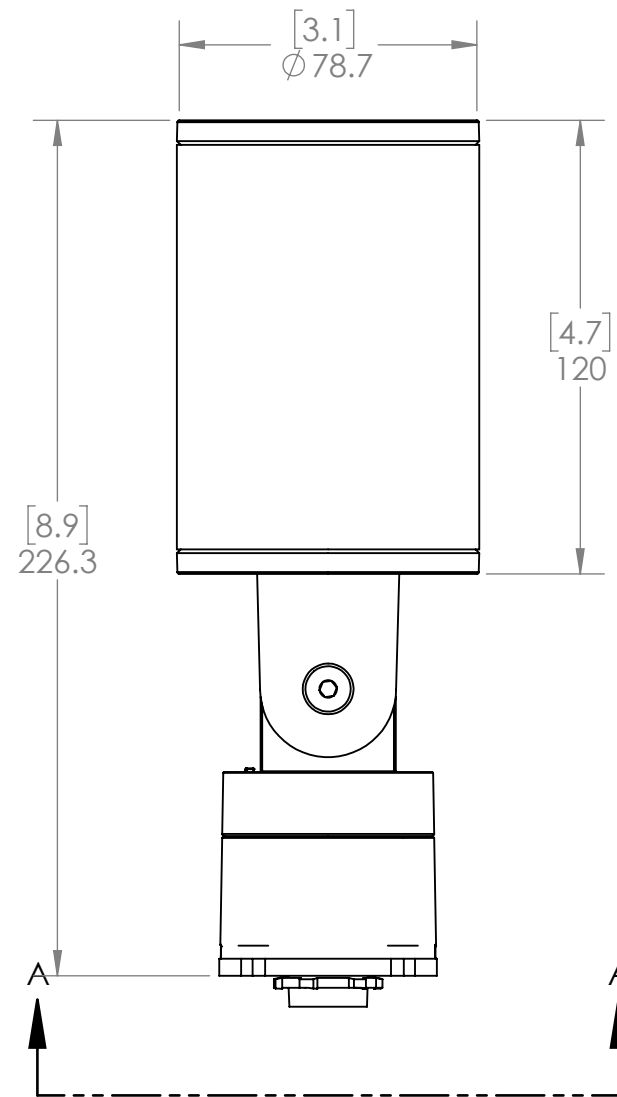


SECTION A-A
[BOTTOM VIEW]



PROPRIETARY AND CONFIDENTIAL		UNLESS OTHERWISE SPECIFIED			
THE INFORMATION CONTAINED IN THIS DRAWING IS THE SOLE PROPERTY OF ECOSENSE LIGHTING, INC. ANY REPRODUCTION IN PART OR AS A WHOLE WITHOUT THE WRITTEN PERMISSION OF ECOSENSE LIGHTING IS PROHIBITED. © 2017 ECOSENSE LIGHTING, INC.		DIMENSIONS ARE IN MILLIMETERS TOLERANCES PER DIN ISO 2768 T1 CLASS M (MEDIUM) INTERPRET GEOMETRIC TOLERANCING PER: ASME Y14.5			
DRAWN BY A. GLADCHENKO		DATE DRAWN 10/31/2019		DRAWING NUMBER REV A	
APPROVED		THIRD ANGLE PROJECTION		SIZE B SCALE 1:2 SHEET 1 OF 3	

8 7 6 5 4 3 2 1

D

C

B

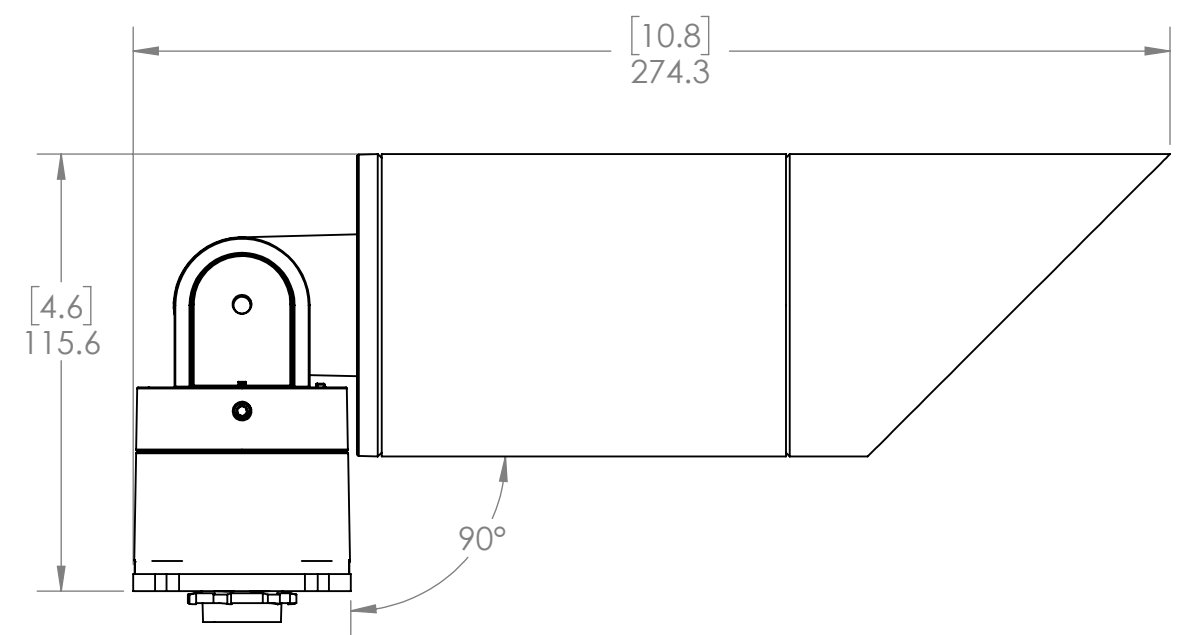
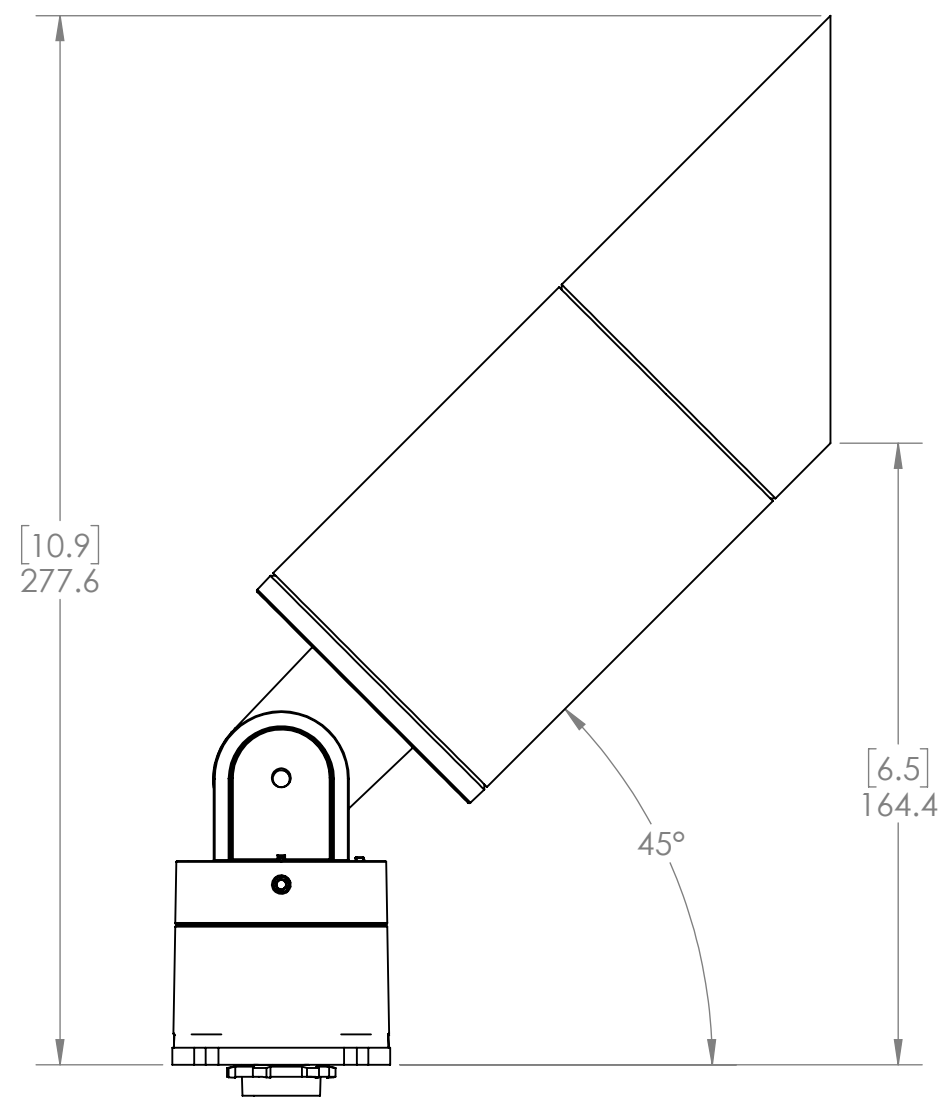
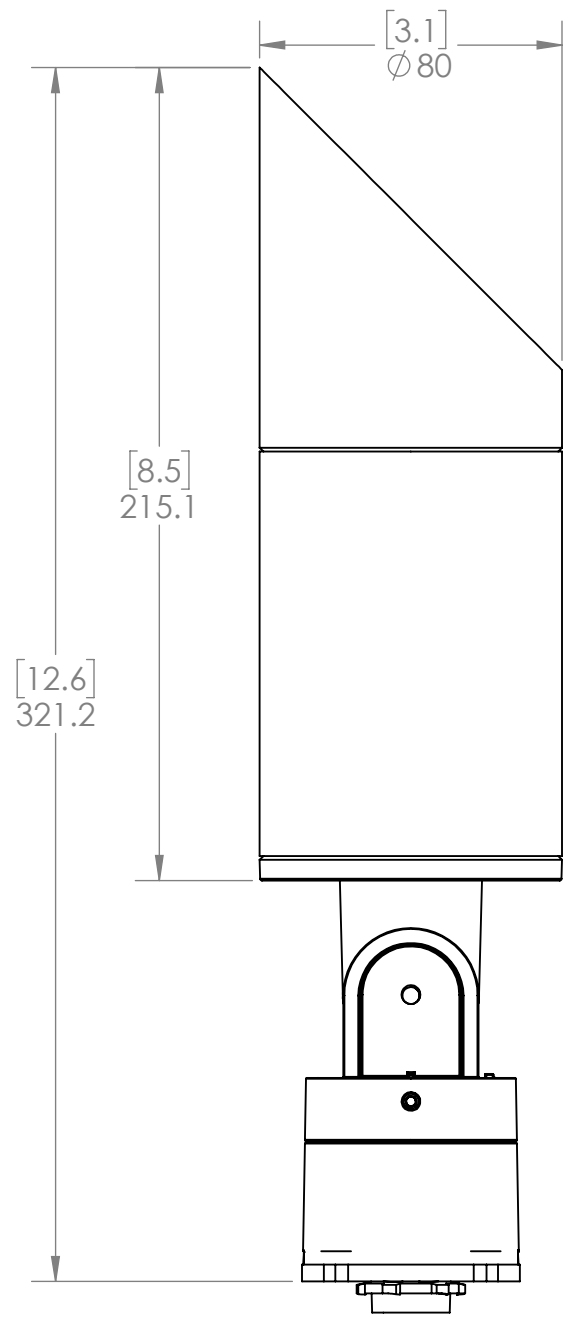
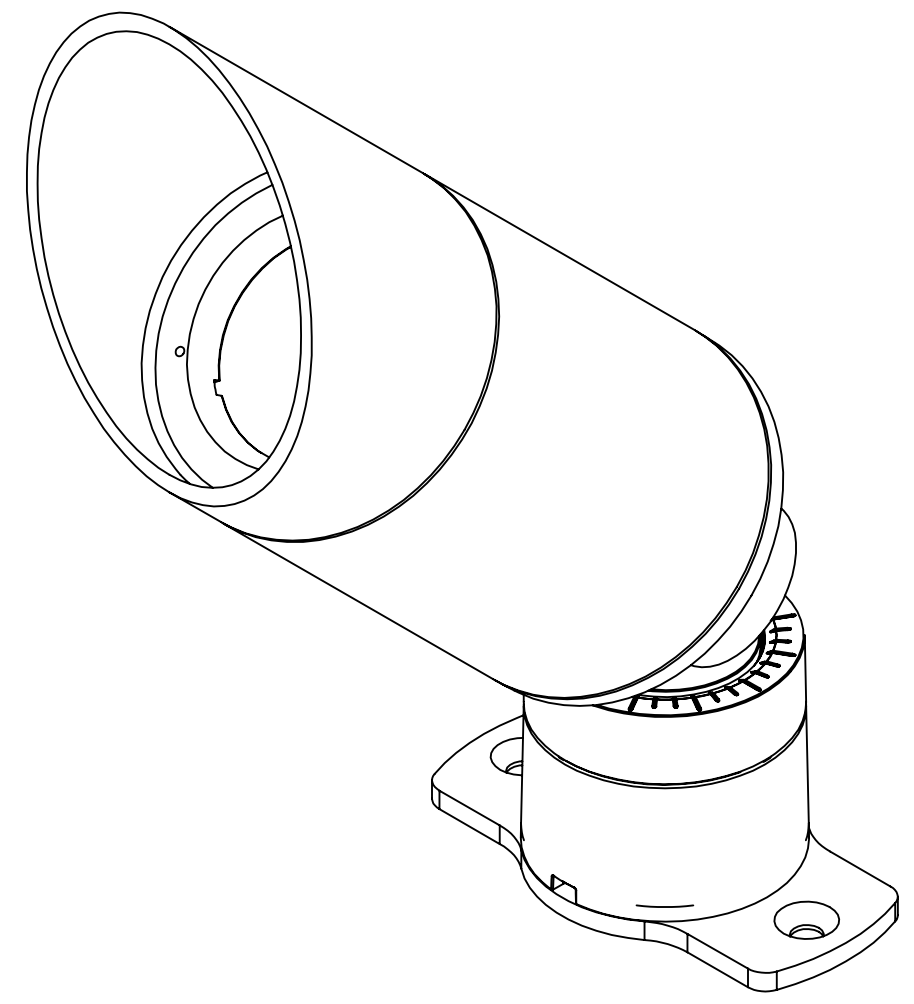
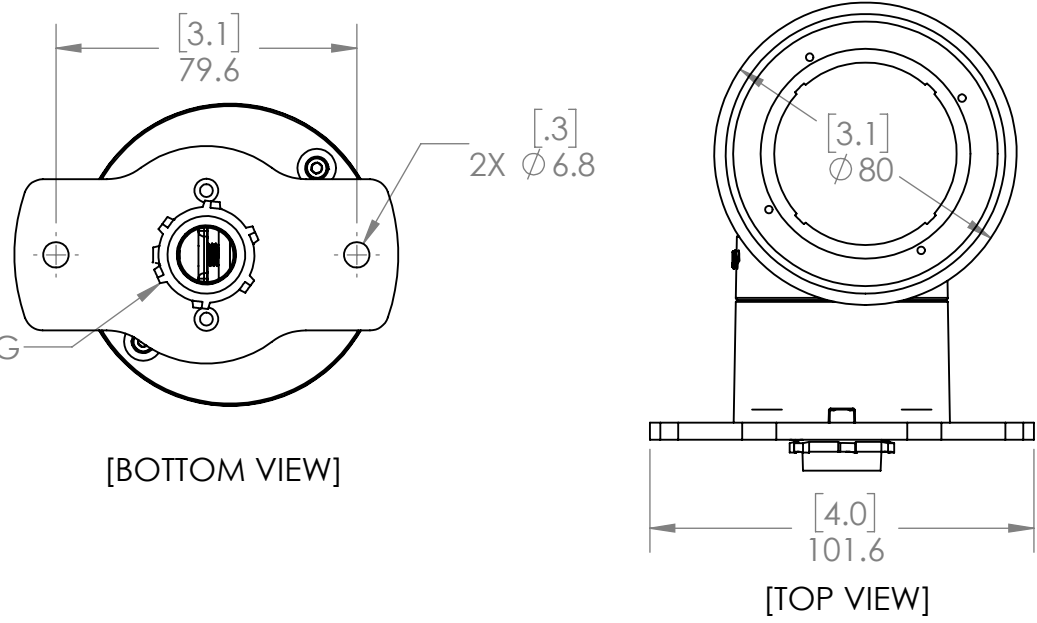
A

D

C

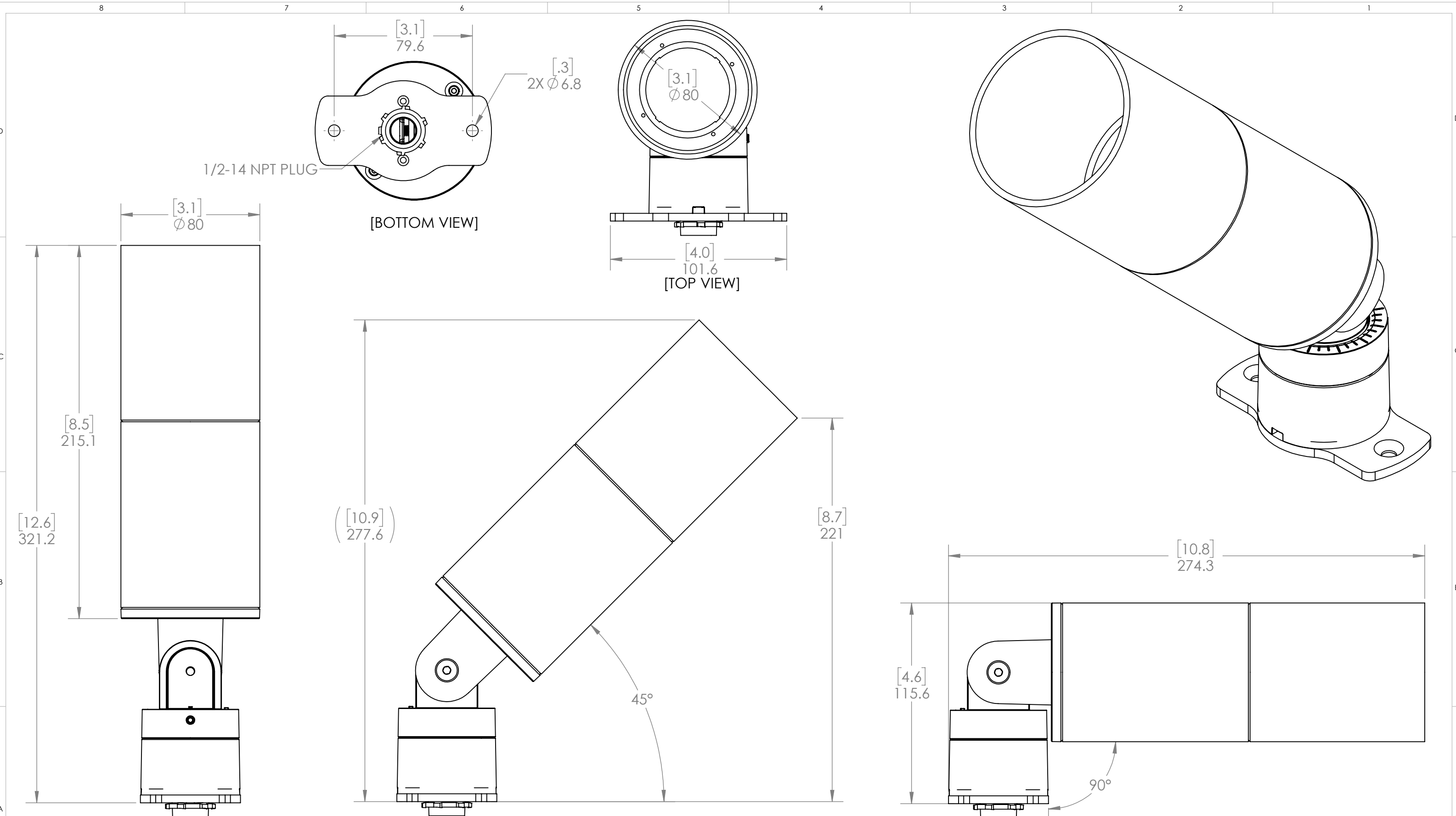
B

A



PROPRIETARY AND CONFIDENTIAL THE INFORMATION CONTAINED IN THIS DRAWING IS THE SOLE PROPERTY OF ECOSENSE LIGHTING, INC. ANY REPRODUCTION IN PART OR AS A WHOLE WITHOUT THE WRITTEN PERMISSION OF ECOSENSE LIGHTING IS PROHIBITED. © 2017 ECOSENSE LIGHTING, INC.	UNLESS OTHERWISE SPECIFIED DIMENSIONS ARE IN MILLIMETERS TOLERANCES PER DIN ISO 2768 T1 CLASS M (MEDIUM) INTERPRET GEOMETRIC TOLERANCING PER: ASME Y14.5	ECOSENSE TITLE: RISE F080 ROUND (EC BASE)			
		DRAWN BY A.GLADCHENKO	DATE DRAWN 10/31/2019	DRAWING NUMBER	REV A
APPROVED		THIRD ANGLE PROJECTION		SIZE B	SCALE 1:2
				SHEET 2 OF 3	

8 7 6 5 4 3 2 1



PROPRIETARY AND CONFIDENTIAL THE INFORMATION CONTAINED IN THIS DRAWING IS THE SOLE PROPERTY OF ECOSENSE LIGHTING, INC. ANY REPRODUCTION IN PART OR AS A WHOLE WITHOUT THE WRITTEN PERMISSION OF ECOSENSE LIGHTING IS PROHIBITED. © 2017 ECOSENSE LIGHTING, INC.	UNLESS OTHERWISE SPECIFIED DIMENSIONS ARE IN MILLIMETERS TOLERANCES PER DIN ISO 2768 T1 CLASS M (MEDIUM) INTERPRET GEOMETRIC TOLERANCING PER: ASME Y14.5	ECOSENSE TITLE RISE F080 ROUND (EC BASE)			
		DRAWN BY A.GLADCHENKO	DATE DRAWN 10/31/2019	DRAWING NUMBER	REV A
APPROVED		THIRD ANGLE PROJECTION		SIZE B	SCALE 1:2
			SHEET 3 OF 3		