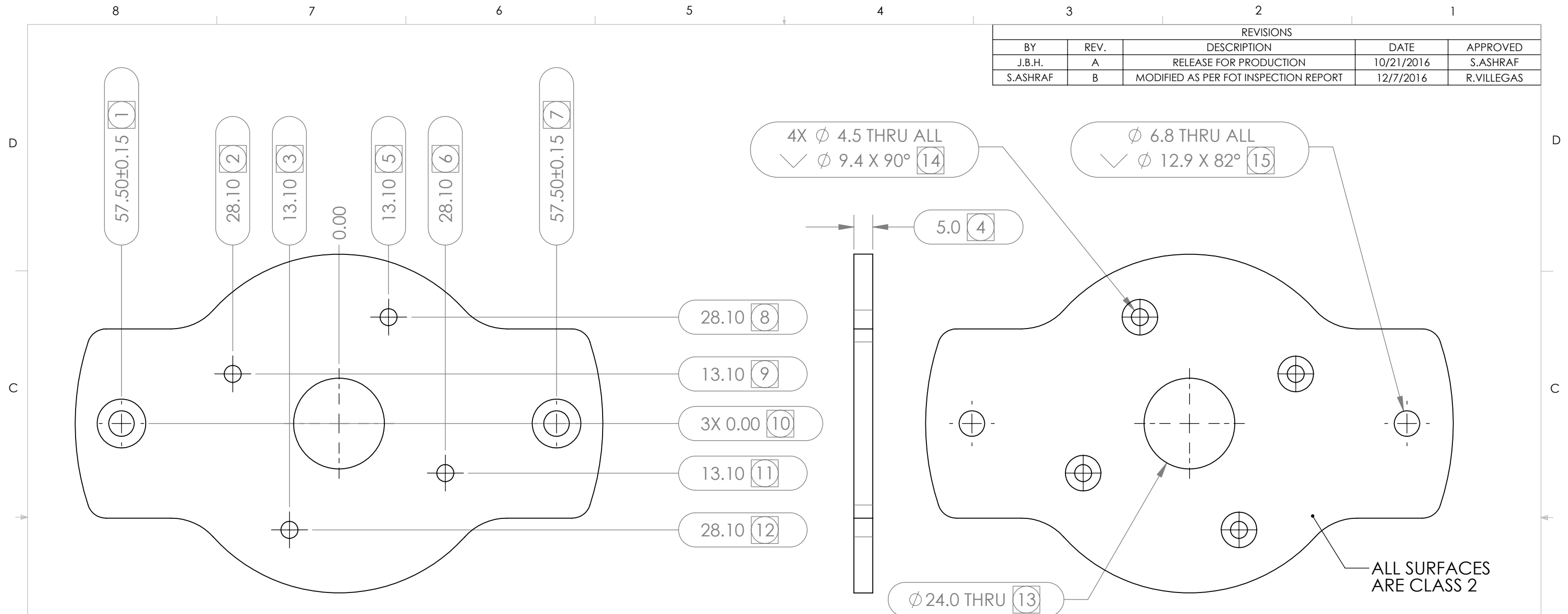


| REVISIONS |      |                                       |            |            |
|-----------|------|---------------------------------------|------------|------------|
| BY        | REV. | DESCRIPTION                           | DATE       | APPROVED   |
| J.B.H.    | A    | RELEASE FOR PRODUCTION                | 10/21/2016 | S.ASHRAF   |
| S.ASHRAF  | B    | MODIFIED AS PER FOT INSPECTION REPORT | 12/7/2016  | R.VILLEGAS |



NOTES: (UNLESS OTHERWISE SPECIFIED)

- DRAWING INDICATES CRITICAL-TO-FUNCTION (CTF) DIMENSIONS ONLY. ASSOCIATED CAD FILE DEFINES ALL NO-DIMENSIONED FEATURES.
- MATERIAL: A360 ALUMINUM
- FINISH: REFER TO TABLE # 1 (ALL THREADS MUST BE MASKED). ALL CLASS 1 & 2 SURFACES' POWDERCOAT THK. MUST BE 0.08-0.05mm. ALL OTHER MAX 0.08mm.
- PART VOLUME (IN CUBIC CENTIMETER) APPROXIMATELY: 41.03
- STRAIGHT EDGES TO HAVE STRAIGHTNESS TOLERANCES OF 0.05 PER CENTIMETER. NOT TO EXCEED 0.25 OVER ENTIRE LENGTH.
- FLAT SURFACES TO HAVE FLATNESS TOLERANCES OF 0.65 OVER ENTIRE SURFACE.
- PARTING LINE MISMATCH NOT TO EXCEED 0.13.
- GATE TRIM TO BE FLUSH OR RECESSED.
- FLASH NOT TO EXCEED 0.05.
- ALL SURFACES INDICATED BY CLASS 1, 2, 3, AND/OR 4 MUST COMPLY WITH ECOSENSE COSMETIC SPECIFICATION DOCUMENT PTR-000020-00.
- PART TO BE FREE OF MOLD RELEASE ON ALL APPEARANCES SURFACES.
- EXTERIOR SURFACES TO BE FREE OF SINKS, GATE MARKS, EJECTOR MARKS, AND OTHER COSMETIC DEFECTS INCLUDING, BUT NOT LIMITED TO BLUSH, SPRAY, INCLUDED PARTICLES, BURN MARKS, AND SIMILAR IMPERFECTIONS.
- MOLD DESIGN TO MINIMIZE GATE BLUSH, FLOW LINES, AND MOLD MARKS. MOLD CONSTRUCTION TO CONFORM TO GOOD MOLDING PRACTICES AS STATED IN THE CURRENT EDITION OF THE "STANDARDS AND PRACTICES OF THE PLASTIC INDUSTRY INC".
- MOLD TO BE PROPERTY OF THE ECOSENSE LIGHTING COMPANY, AND SHALL BE MARKED WITH THE COMPANY'S NAME, APPROPRIATE PART NUMBER AND DATE IF NOTES ON DRAWING.
- MOLD DESIGN, EJECTOR PIN, PARTING LINE AND GATE LOCATION TO BE APPROVED BY ECOSENSE LIGHTING IN WRITING PRIOR TO MOLD FABRICATION.
- MOLD IN RECYCLING SYMBOL ("CHASING ARROWS" WITH MATERIAL CODE), PART NUMBER, AND REVISION CODE, WITH 2.50 MINIMUM HIGH CHARACTERS, APPROXIMATELY WHERE INDICATED. REVISION CHARACTERS TO BE MARKED IN ADJACENT EJECTOR PIN OR INSERT IF NOTED ON DRAWING.
- PART SHALL BE CLEAN AND FREE FROM FOREIGN MATERIAL DIRT, OIL, GREASE, MOLD RELEASE, OR CONTAMINANTS ARE NOT ALLOWED.
- PART MUST BE FREE OF BURRES BEFORE PRE-TREATMENT.
- ALL APPLICABLE MATERIALS AND PROCESSES MUST COMPLY WITH RoHS (RESTRICTION OF HAZARDOUS SUBSTANCES) STANDARDS. MANUFACTURER MUST KEEP RoHS CERTIFICATE OF COMPLIANCE FOR EACH LOT.
- ALL APPLICABLE MATERIALS AND PROCESSES MUST COMPLY WITH REACH (REGISTRATION, EVALUATION, AUTHORIZATION AND RESTRICTION OF CHEMICALS) STANDARDS. MANUFACTURER MUST KEEP REACH CERTIFICATE OF COMPLIANCE FOR EACH LOT.

| TABLE 1 - FINISH SPECIFICATION |                       |  |
|--------------------------------|-----------------------|--|
| PART NUMBER                    | PRE-TREATMENT         | FINISH   |
| BKT-000030-00                  | PHOSPHATE OR CHROMATE | RISE SILVER, QW327QF, INTERPON 800 SD FAUX STAINLESS TEXTURE - 8225098 |
| BKT-000030-01                  | PHOSPHATE OR CHROMATE | RISE BRONZE, QW328QF, INTERPON 800 SD BRONZE TEXTURE - 8225513         |
| BKT-000030-02                  | PHOSPHATE OR CHROMATE | RISE BLACK, QN304U, INTERPON A2000 BLACK TEXTURE - 8146242             |
| BKT-000030-03                  | PHOSPHATE OR CHROMATE | RISE WHITE, QA308QF, INTERPON 800 WHITE TEXTURE - 8224757              |
| BKT-000030-04                  | PHOSPHATE OR CHROMATE | CUSTOM   |

**- ALL DIMENSION INDICATED BY ARE CONTROL DIMENSION**

|   |  |   |                            |   |
|---|--|---|----------------------------|---|
| <p>THIRD ANGLE PROJECTION</p>   | <p>UNLESS OTHERWISE SPECIFIED:</p> <p>DIMENSIONS ARE IN MILLIMETER AND APPLY AFTER PROCESS FINISH TOLERANCES:</p> <p>ANGULAR: MACH ±1° BEND ±1°<br/> ONE PLACE DECIMAL ±.20<br/> TWO PLACE DECIMAL ±.10</p> <p>BREAK SHARP EDGES: .10 - .20<br/> MACHINED FILLETS: .08R - .10R<br/> MACHINE FINISH 1.6 RMS</p> <p>INTERPRET DRAWING PER:<br/> ASME Y14.5M-2009</p> <p>DO NOT SCALE DRAWING</p> | <p>NAME</p> <p>S.GOLJAH</p>                               | <p>DATE</p> <p>8/8/16</p>  |   |
|   |  | <p>DRAWN</p> <p>CHECKED</p> <p>ENGINEER</p> <p>J.B.H.</p> | <p>DATE</p> <p>8/8/16</p>  |   |
| <p>PROPRIETARY AND CONFIDENTIAL</p> <p>THE INFORMATION CONTAINED IN THIS DRAWING IS THE SOLE PROPERTY OF ECOSENSE LIGHTING. ANY REPRODUCTION IN PART OR AS A WHOLE WITHOUT THE WRITTEN PERMISSION OF ECOSENSE LIGHTING IS PROHIBITED.</p> |  | <p>COMMENTS:</p>  |                            | <p>SIZE <b>B</b></p>  |
| <p>FILE NAME:</p> <p>BKT-000030-00</p>  |  | <p>DWG. NO.</p> <p>BKT-000030-XX</p>                      | <p>REV</p> <p><b>B</b></p> | <p>SCALE: 1:1</p> <p>WT: 110.73 grams</p> <p>SHEET 1 OF 1</p> |