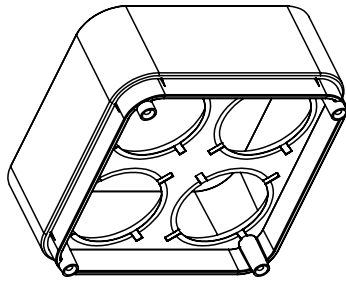


DATE	PROJECT	FIRM	TYPE
------	---------	------	------

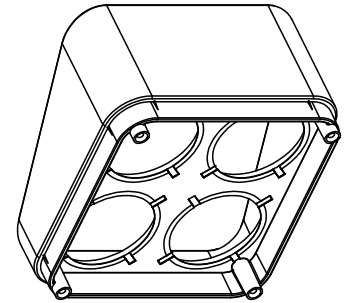
RISE F170 SNOOTS



Full Snoot

F170-F-(K,Z,S,W,C)

A FULL SHIELD USED TO CUT OFF LINE OF SIGHT TO THE LIGHT SOURCE OR TO REDUCE GLARE. FULL SNOOT IS USED WITH INSTALLATION HAS A 360° VIEWING ANGLE AND IS A DIE CAST PART, POWDER COATED TO MATCH FINISH. AVAILABLE IN BLACK, BRONZE, SILVER, WHITE OR CUSTOM COLOR FINISH.

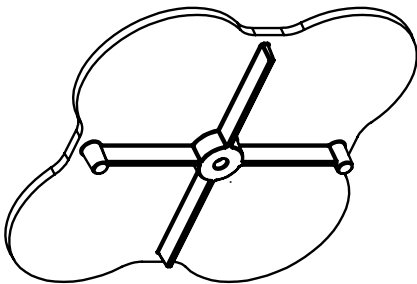


Half Snoot

F170-H-(K,Z,S,W,C)

45° SHIELD USED TO CUT OFF LINE OF SIGHT TO LIGHT SOURCE OR TO REDUCE GLARE. HALF SNOOT IS USED WHEN THE INSTALLATION HAS 180° VIEWING ANGLE AND IS A DIE CAST PART, POWDER COATED TO MATCH FINISH. AVAILABLE IN BLACK, BRONZE, SILVER, WHITE OR CUSTOM COLOR FINISH.

INTERCHANGEABLE LENS

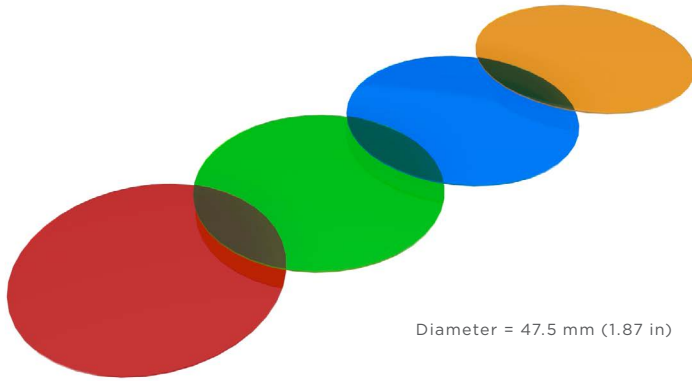


Desired Angle	If inner optic = 5°, then order the following spread lens
5°	F170-LENS-05
10°	F170-LENS-10
15°	F170-LENS-15
20°	F170-LENS-20
40°	F170-LENS-40
60°	F170-LENS-60
80°	F170-LENS-80
15x60	F170-LENS-E1E3
30x60	F170-LENS-E2E4
60x15	F170-LENS-E1E3
60x30	F170-LENS-E2E4

Desired Angle	If inner optic = 40°, then order the following spread lens
5°	Not supported
10°	Not supported
15°	Not supported
20°	Not supported
40°	F170-LENS-10
60°	F170-LENS-40
70°	F170-LENS-60
90°	F170-LENS-80
15x60	Not supported
30x60	Not supported
60x15	Not supported
60x30	Not supported

DATE	PROJECT	FIRM	TYPE
------	---------	------	------

COLOR FILTERS



Diameter = 47.5 mm (1.87 in)

- Red**
F080-FILTER-RED
- Green**
F080-FILTER-GREEN
- Blue**
F080-FILTER-BLUE
- Amber**
F080-FILTER-AMBER

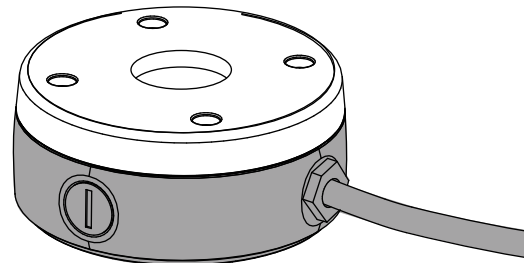
*For best results use with the following CCT

Color	CCT
Red	2700K
Green	4000K
Blue	5000K
Amber	3000K

CANOPY PLATE

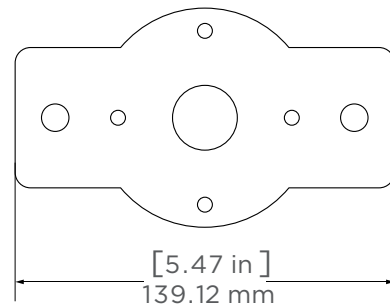
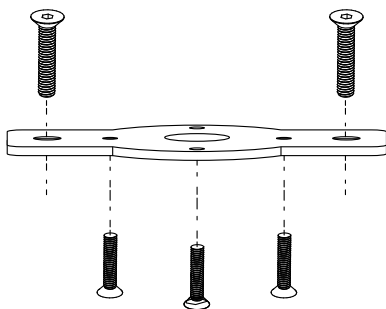
RISE-CANOPY 04-(K,Z,S,W)

4" ROUND DIE CAST ALUMINUM JUNCTION BOX COVER FOR STANDARD 4IN ROUND JUNCTION BOXES WITH 3.5 IN HOLE PATTERN. AVAILABLE IN BLACK, BRONZE, SILVER, WHITE OR CUSTOM COLOR FINISH.



JUNCTION BOX BY OTHERS

SURFACE MOUNT PLATE



[inch]
mm

F170-SMP-(K,Z,S,W)

ALUMINUM, POWDER COATED PLATE USED TO MOUNT FIXTURES TO FLAT SURFACE. COMPATIBLE F080 MULTI-HEAD AND F170 SINGLE FIXTURES WITH EC WIRE OPTIONS B, C, D, AND E. AVAILABLE IN BLACK, BRONZE, SILVER, WHITE OR CUSTOM COLOR FINISH.