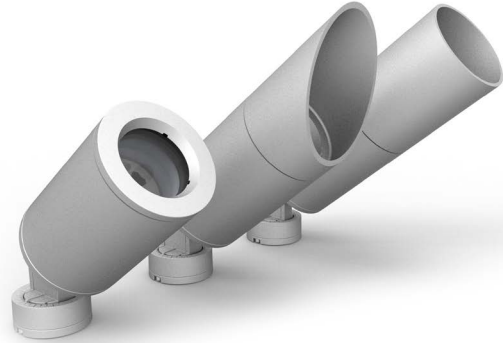


DATE	PROJECT	FIRM	TYPE
------	---------	------	------

RISE F080 ROUND SNOOTS ARE USED TO CUT OFF LINE OF SIGHT TO THE LIGHT SOURCE OR TO REDUCE GLARE.

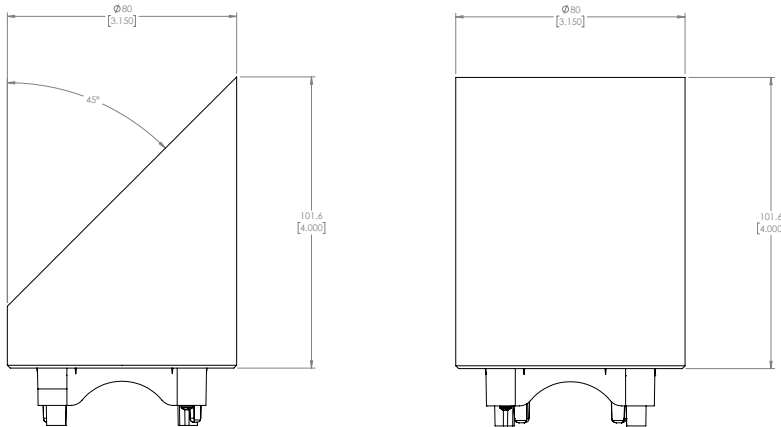
FEATURES :

- A FULL SHIELD USED TO CUT OFF LINE OF SIGHT TO THE LIGHT SOURCE OR TO REDUCE GLARE
- FULL SNOOT IS USED WHEN THE INSTALLATION HAS A 360° VIEWING ANGLE
- HALF SNOOT IS USED WHEN THE INSTALLATION HAS 180° VIEWING ANGLE
- DIE CAST PART, POWDER COATED TO MATCH FINISH
- AVAILABLE IN BLACK, BRONZE, SILVER, WHITE OR CUSTOM COLOR FINISH



PHYSICAL **DIMENSIONS : 4"**
WEIGHT : 0.6lbs

RISE F080 ROUND SNOOT



ORDERING

PART NUMBER	DESCRIPTION
F080-RH-(K,Z,S,W,C)	RISE F080 ROUND SNOOT HALF
F080-RF-(K,Z,S,W,C)	RISE F080 ROUND SNOOT FULL

LIMITED WARRANTY 5 YEARS

ECOSENSE LIGHTING INC.
 837 NORTH SPRING STREET
 SUITE 103
 LOS ANGELES, CA 90012

P • 310.496.6255
F • 310.496.6256
T • 855.632.6736
 855.6.ECOSEN

SPECIFICATIONS SUBJECT TO CHANGE WITHOUT NOTICE. VISIT ECOSENSELIGHTING.COM FOR THE MOST CURRENT SPECIFICATIONS. FOR A LIST OF PATENTS VISIT ECOSENSELIGHTING.COM/IP-PORTFOLIO/
 ©2019 ECOSENSE LIGHTING INC. ALL RIGHTS RESERVED. ECOSENSE, THE ECOSENSE LOGO, TROY, TROY AND ECOSPEC ARE REGISTERED TRADEMARKS OF ECOSENSE LIGHTING INC.
 RISE™, SLIM COVE™, FREEDOM TO CREATE™, MACRO™, FLIP-TO-FLAT™ ARE TRADEMARKS OF ECOSENSE LIGHTING INC.

ECOSENSELIGHTING.COM

1/1