

DATE	PROJECT	FIRM	TYPE
------	---------	------	------

POLE/TENON SLIP FITTER

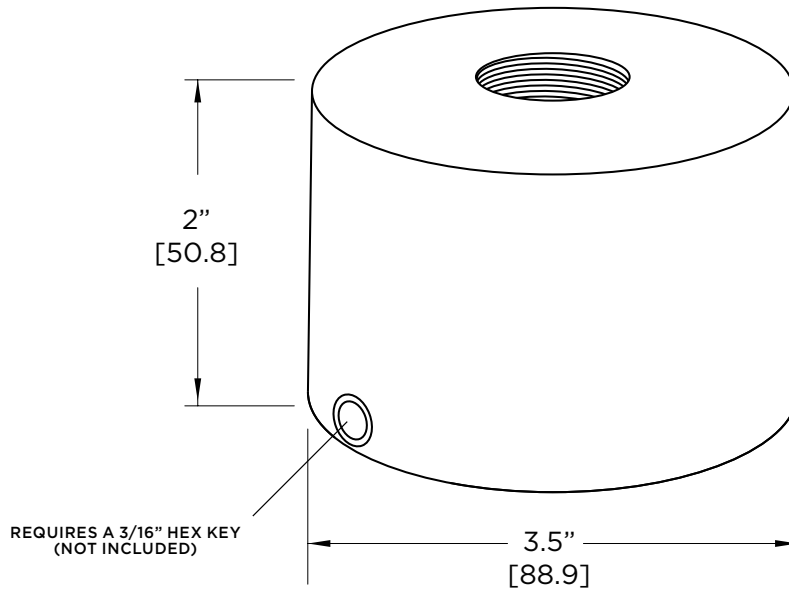
FEATURES :

- MACHINED ALUMINUM HUB
- THREADED 1/2" FEMALE NPT
- SLIPS OVER A 2-3/8" O.D. PIPE OR TENON
- AVAILABLE IN ALL COLORS INCLUDING CUSTOM PAINT
- COMPATIBLE WITH RISE F080 SINGLE AND MULTI-UP FIXTURES AND RISE F170 SINGLE FIXTURE ONLY
- NOT FOR USE WITH F170 OR F380 MULTI-UPS



PHYSICAL	DIMENSIONS	WEIGHT
	L 2" X D 3.5" : (50.8mm X 88.9mm)	1 lbs

RISE SLIP FITTER



ORDERING

PART NUMBER	DESCRIPTION
RISE-SLIP-FITTER-K	RISE Slip Fitter, 2-3/8" post, 1/2" NPT female threads, Black
RISE-SLIP-FITTER-Z	RISE Slip Fitter, 2-3/8" post, 1/2" NPT female threads, Bronze
RISE-SLIP-FITTER-W	RISE Slip Fitter, 2-3/8" post, 1/2" NPT female threads, White
RISE-SLIP-FITTER-S	RISE Slip Fitter, 2-3/8" post, 1/2" NPT female threads, Silver
RISE-SLIP-FITTER-C	RISE Slip Fitter, 2-3/8" post, 1/2" NPT female threads, Custom