

DATE	PROJECT	FIRM	TYPE
------	---------	------	------

HONEYCOMB LOUVER

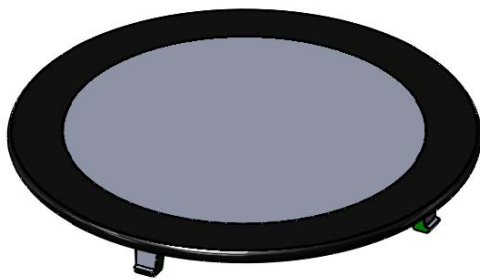
FEATURES :

- PARTS INCLUDE COVER (LENS AND GASKET), AND HONEYCOMB LOUVER
- ALLOWS FOR EASY INSTALLATION AND ADJUSTMENT
- TRANSPARENT CLEAR LENS
- BLACK GASKET
- ALUMINUM LOUVER
- COMPATIBLE WITH RISE F080 AND RISE F170 AND MULTIUPS
- NOT UL LISTED
- NOT INTENDED FOR USE WITH LENSES 40 DEGREES AND UP

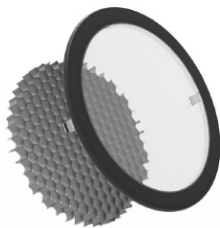


PHYSICAL	DIMENSIONS	DIAMETER = 47mm
	WEIGHT	HEIGHT = 3.2mm 9.25 GRAMS

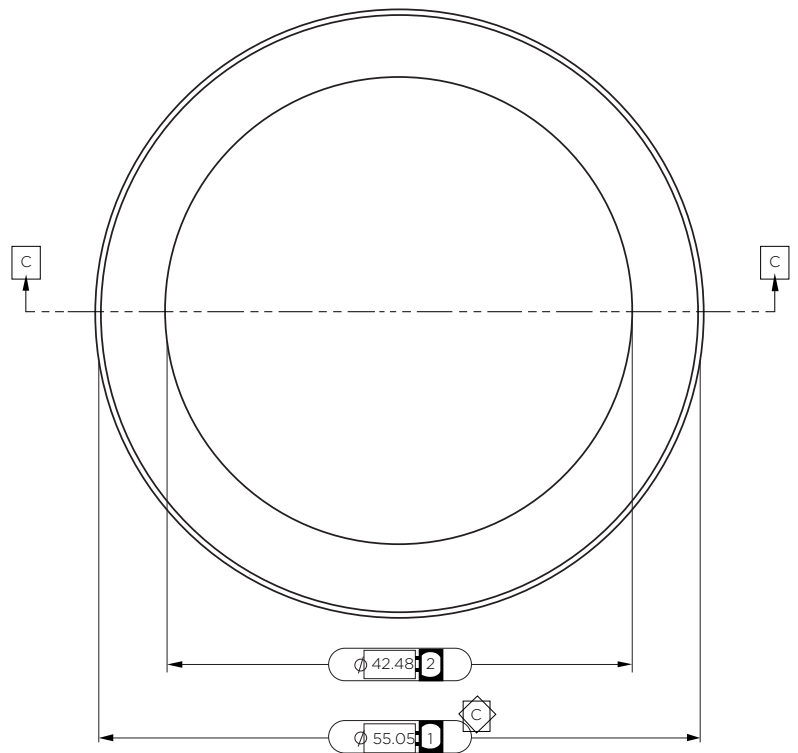
RISE HONEYCOMB LOUVER



GASKET



HONEYCOMB AND GASKET



ORDERING

PART NUMBER	DESCRIPTION
F080-LV-HComb	Honeycomb Louver for F080
F170-LV-HComb	Honeycomb Louver for F170

LIMITED WARRANTY 5 YEARS

ECOSENSE LIGHTING INC.
837 NORTH SPRING STREET
SUITE 103
LOS ANGELES, CA 90012

P • 310.496.6255
F • 310.496.6256
T • 855.632.6736
855.6.ECOSEN

SPECIFICATIONS SUBJECT TO CHANGE WITHOUT NOTICE. VISIT ECOSENSELIGHTING.COM FOR THE MOST CURRENT SPECIFICATIONS. FOR A LIST OF PATENTS VISIT ECOSENSELIGHTING.COM/IP-PORTFOLIO/
©2018 ECOSENSE LIGHTING INC. ALL RIGHTS RESERVED. **ECOSENSE**, THE **ECOSENSE LOGO**, **TRØV**, **TROV** AND **ECOSPEC** ARE REGISTERED TRADEMARKS OF ECOSENSE LIGHTING INC.
RISE™, **SLIM COVE™**, **FREEDOM TO CREATE™**, **MACRO™**, **FLIP-TO-FLAT™** ARE TRADEMARKS OF ECOSENSE LIGHTING INC.

ECOSENSELIGHTING.COM

1/1