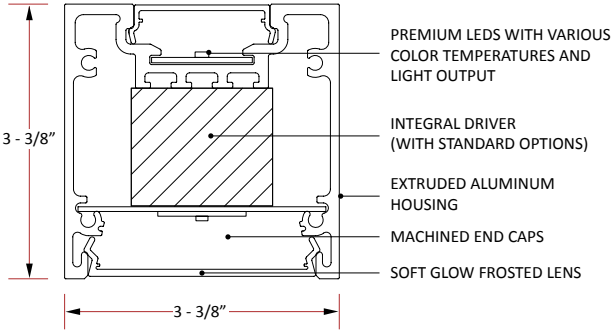


Neodymium 3

CABLE SUSPENDED (CS)



FEATURES:

- 3/64" Aircraft cable suspension system
- High transmission frosted lenses with no diode imaging
- No visible fasteners
- Extruded aluminum housing
- Dimmable/Programmable drivers for controllable light output
- High efficacy LEDs with 5 year warranty
- Under 2 steps MacAdams Ellipse Binning
- 7/16" thick machined end caps
- Bi-directional fixture



PRODUCT SPECIFICATION

NOTE: All options *italicized* may increase lead times and/or incur higher costs - please consult factory with questions.

FIXTURE TYPE Nd3	MOUNTING/ ORIENTATION CS	NOMINAL LENGTH*	COLOR TEMP	LED DRIVE POWER		VOLTAGE	DRIVER
				DIRECT	INDIRECT*		
Nd3 Neodymium 3	CS Cable Suspended	1' 1' 1-3/8"	27K 2700K	VLO Very Low Output 405 lumens/ft. (4w/ft.)	VLO Very Low Output 455 lumens/ft. (4w/ft.)	UNV Universal (120-277V)	ND Non-Dimming 0-10V DIMMING 10D 10% DIM 1D 1% DIM LUTRON LDE1 Lutron EcoSystem 1% "Soft on" (Digital) LDES Lutron EcoSystem 5% 5-Series (Digital) DALI DALI Digital Addressable Lighting Interface
		2' 2' 1-3/8"	30K 3000K	LO Low Output 615 lumens/ft. (6w/ft.)	LO Low Output 685 lumens/ft. (6w/ft.)		
		3' 3' 1-3/8"	35K 3500K	SO Standard Output 805 lumens/ft. (8w/ft.)	SO Standard Output 900 lumens/ft. (8w/ft.)		
		4' 4' 1-3/8"	40K 4000K	HO High Output 1,005 lumens/ft. (10w/ft.)	HO High Output 1,125 lumens/ft. (10w/ft.)		
		5' 5' 1-3/8"	50K 5000K	VHO Very High Output 1,170 lumens/ft. (12w/ft.)	VHO Very High Output 1,310 lumens/ft. (12w/ft.)		
		6' 6' 1-3/8"		DHO Dual High Output 2,015 lumens/ft. (19.5w/ft.)	CPO Custom Power Output Consult factory		
		7' 7' 1-3/8"					
		8' 8' 1-3/8"					
		12' 12' 1-3/8"					
		CR_ Continuous Run (Specify length in nominal feet)					
				*Dimensions are for reference only. Contact factory for more specific information or shop drawings. **Odd lengths may incur slightly higher per foot pricing.			

HOUSING FINISH	HARDWARE* DETAIL FINISH	CANOPY SIZE OPTIONS*	CANOPY FINISH	POWER CORD COLOR	AIRCRAFT CABLE LENGTH*	OPTIONS/ CUSTOMIZATION*
SC Satin Clear Anodize (Standard) SW Satin White (Powder Coat) MB Matte Black (Powder Coat) CF Custom Finish* (Consult Factory)	MF Machined Finish (Standard) SW Satin White MB Matte Black CF Custom Finish (Consult Factory)	44 4" Power feed canopy 4" Non-power feed canopy 41 4" Power feed canopy 1" Non-power feed canopy 40 4" Power feed canopy Canopy only at power feed	MF Machine Finish (Standard) SW Satin White CF Custom Finish*	W White G Gray B Black CC Custom Cord*	2 2' 4 4' 6 6' 8 8' CL_ Custom Length** (Specify in feet IE: CL10 for 10')	XX No EMB or Customization EMB7 7 Watt battery back-up** (Approximately 600 lumens) EMB12 12 Watt battery back-up** (Approximately 1,000 lumens) 90 90+ CRI LED BOARDS (2700K - 4000K only) CCP Corners/patterns* CD Custom Driver* CR Customization Requested* WSN Night Air WSE Enlighted WSW Wavelinx WSL Lutron Vive
*RAL and color match are available.	NOTE: MF option is strongly recommended. Other options will result in higher costs and potentially longer lead times. **Hardware* refers to the end caps and knuckles (knuckles only for the "Rotational" option).	*CONTINUOUS RUNS REQUIRE THE 55" OR THE 44" OPTION. CONSULT FACTORY WITH QUESTIONS. *See options section and installation instructions for more information.	*Consult the factory.		*Cables are field adjustable. ** Consult factory to confirm specific length.	NOTE: Customization may incur higher costs and/or increased lead times. *Consult the factory for all custom options or custom concept requests. **The EMB12 is slightly more expensive than the EMB7 option (BOTH OPTIONS ARE INTEGRAL).

SPECIFICATION INFORMATION

NOTE: All options *italicized in gray* may increase lead times and/or incur higher costs- please consult factory with questions.

GENERAL NOTES:

All fixtures are **UL listed** for **dry** and **damp** locations.

INTEGRAL DRIVER for all options.

Please contact the factory with any specification questions.

FIXTURE ORIENTATION:

Bidirectional (CS) for downlight and uplight applications.

DRIVER:

- 1) NON-DIMMING: As described... this fixture will not dim.
- 2) DIMMING: 0-10v: 1%, 10% :: Lutron: 2-wire Forward phase (Hi-Lume 1%), Ecosystem to 1% (Soft On), Ecosystem to 5% (5 Series). "DALI"- Specify driver. See "Dimming Options" on subsequent pages for more information. For other dimming options, consult the factory.
- 3) EMERGENCY: Specify EMB under the Options/Customization category at the end of the cut sheet along with the desired lumen output (600 or 1,000 lumens - the latter is slightly more costly).
- 4) Drivers are programmed according to our standard lumen packages or to custom watt/lumen package requirements.
- 5) Consult factory with any questions or specification requirements.

FINISHES:

The standard finish is a Satin Clear anodized housing with Machine Finished hardware. Machined finish is preferable for machined components (Hardware Detail) - Powder coating these parts may result in additional costs. Consult the factory with any questions about standard or custom finishing options.

CUSTOMIZATION:

We have numerous custom options available. However, if there is something unique required for a project, from simple options to complete custom requests, we are more than willing to entertain any creative notions you might have. Just ask.



Lumium Lighting, LLC | 3590 Cadillac Ave, Suite A, Costa Mesa, CA 92626 | Phone: 760.757.2530 | Fax: 760.283.2333 | www.lumiumlighting.com

While we always strive to ensure all website content and product information is current, Lumium Lighting reserves the right to change specifications without notice. © Lumium Lighting, LLC - All rights reserved.

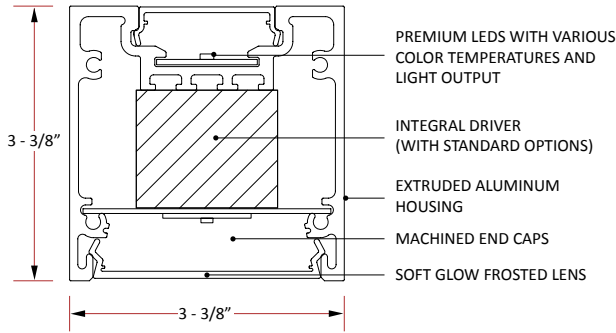


Lumium
Lighting at its element

Neodymium

3

ROTATIONAL ARM MOUNT (RAM)



FEATURES:

- 5/8" diameter rigid tube mounting system
- High transmission frosted lenses with no diode imaging
- No visible fasteners
- Extruded aluminum housing
- Dimmable/Programmable drivers for controllable light output
- High efficacy LEDs with 5 year warranty
- Under 2 steps MacAdams Ellipse Binning
- 5/16" thick machined end caps
- Bi-directional fixture
- 360° rotation option- with mechanical locking



PRODUCT SPECIFICATION

NOTE: All options *italicized* may increase lead times and/or incur higher costs - please consult factory with questions.

FITTURE TYPE Nd3	MOUNTING/ ORIENTATION RAM	NOMINAL LENGTH*	COLOR TEMP	LED DRIVE POWER		VOLTAGE	DRIVER
				DIRECT	INDIRECT*		
Nd3 Neodymium 3	RAM Rotational Arm Mount	1' 1' 1-3/8"	27K 2700K	VLO Very Low Output	VLO Very Low Output	UNV Universal (120-277V)	ND Non-Dimming 0-10V DIMMING 10D 10% DIM 1D 1% DIM LUTRON LDE1 Lutron EcoSystem 1% "Soft on" (Digital) LDES Lutron EcoSystem 5% 5-Series (Digital) DALI DALI Digital Addressable Lighting Interface
		2' 2' 1-3/8"	30K 3000K	LO Low Output	LO Low Output		
		3' 3' 1-3/8"	35K 3500K	615 lumens/ft. (6w/ft.)	685 lumens/ft. (6w/ft.)		
		4' 4' 1-3/8"	40K 4000K	SO Standard Output	SO Standard Output		
		5' 5' 1-3/8"	50K 5000K	805 lumens/ft. (8w/ft.)	900 lumens/ft. (8w/ft.)		
		6' 6' 1-3/8"		HO High Output	HO High Output		
		7' 7' 1-3/8"		1,005 lumens/ft. (10w/ft.)	1,125 lumens/ft. (10w/ft.)		
		8' 8' 1-3/8"		VHO Very High Output	VHO Very High Output		
		12' 12' 1-3/8"		1,170 lumens/ft. (12w/ft.)	1,310 lumens/ft. (12w/ft.)		
		CR_ Continuous Run (Specify length in nominal feet)		DHO Dual High Output	CPO Custom Power Output		
				2,015 lumens/ft. (19.5w/ft.)	Consult factory		

*Dimensions are for reference only. Contact factory for more specific information or shop drawings.
 **Odd lengths may incur slightly higher per foot pricing.

HOUSING FINISH	HARDWARE* DETAIL FINISH	ARM LENGTH*	MOUNTING/ COVER PLATE	OPTIONS/ CUSTOMIZATION*
SC Satin Clear Anodize (Standard) SW Satin White (Powder Coat) MB Matte Black (Powder Coat) CF Custom Finish* (Consult Factory)	MF Machined Finish (Standard) SW Satin White MB Matte Black CF Custom Finish* (Consult Factory)	3 3" 6 6" 9 9" 12 12" CAL Custom Length** (Specify in inches IE: CL10 for 10")	4CPF Flat 4" diameter Cover Plate - For use with a 3-O mud ring CCP Custom Cover Plate*	XX No EMB or Customization EMB7 7 Watt battery back-up** (Approximately 600 lumens) EMB12 12 Watt battery back-up** (Approximately 1,000 lumens) 90 90+ CRI LED BOARDS (2700K - 4000K only) CCP Corners/patterns* CD Custom Driver* CR Customization Requested* WSN Night Air WSE Enlighted WSW Wavelinx WSL Lutron Vive

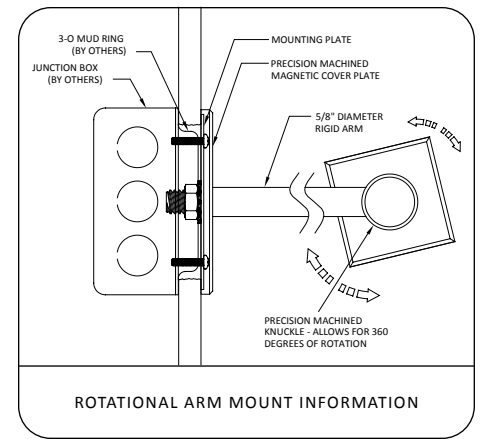
*RAL and color match are available.

NOTE: MF option is strongly recommended. Other options will result in higher costs and potentially longer lead times.
 **"Hardware" refers to the end caps and knuckles (knuckles only for the "Rotational" option).

*Arm length is measured from the mounting surface to the center of the fixture.
 **Limitations apply. Consult the factory.

*Consult the factory.

NOTE: Customization may incur higher costs and/or increased lead times.
 *Consult the factory for all custom options or custom concept requests.
 **The EMB12 is more expensive than the EMB7 option (BOTH OPTIONS ARE INTEGRAL)



SPECIFICATION INFORMATION

NOTE: All options *italicized in gray* may increase lead times and/or incur higher costs- please consult factory with questions.

GENERAL NOTES:

All fixtures are **UL listed** for **dry** and **damp** locations.

INTEGRAL DRIVER for all options.

Please contact the factory with any specification questions.

DRIVER: [REMOTE]

- 1) NON-DIMMING: As described... this fixture will not dim.
- 2) DIMMING: 0-10v: 1%, 10% :: Lutron: 2-wire Forward phase (Hi-Lume 1%), Ecosystem to 1% (Soft On), Ecosystem to 5% (5 Series). "DALI"- Specify driver. See "Dimming Options" on subsequent pages for more information. For other dimming options, consult the factory.
- 3) EMERGENCY: Specify EMB under the Options/Customization category at the end of the cut sheet along with the desired lumen output (600 or 1,000 lumens - the latter is slightly more costly).
- 4) Drivers are programmed according to our standard lumen packages or to custom watt/lumen package requirements.
- 5) Consult factory with any questions or specification requirements.

FINISHES:

The standard finish is a Satin Clear anodized housing with Machine Finished hardware. Machined finish is preferable for machined components (Hardware Detail) - Powder coating these parts may result in additional costs. Consult the factory with any questions about standard or custom finishing options.

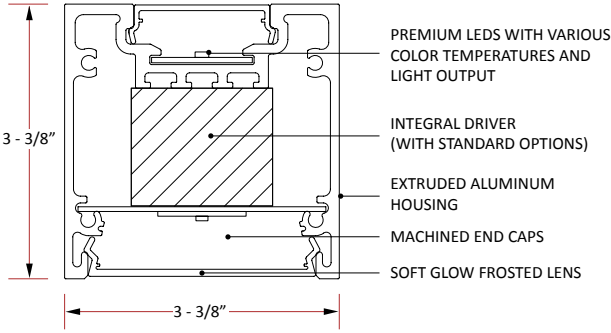
CUSTOMIZATION:

We have numerous custom options available. However, if there is something unique required for a project, from simple options to complete custom requests, we are more than willing to entertain any creative notions you might have. Just ask.



Neodymium 3

SURFACE MOUNT (SM)



FEATURES:

- Wall mounting system
- High transmission frosted lenses with no diode imaging
- No visible fasteners
- Extruded aluminum housing
- Dimmable/Programmable drivers for controllable light output
- High efficacy LEDs with 5 year warranty
- Under 2 steps MacAdams Ellipse Binning
- 7/16" thick machined end caps
- Bi-directional fixture



PRODUCT SPECIFICATION

NOTE: All options *italicized* may increase lead times and/or incur higher costs - please consult factory with questions.

FITTURE TYPE Nd3	MOUNTING/ ORIENTATION SMS	NOMINAL LENGTH*	COLOR TEMP	LED DRIVE POWER		VOLTAGE	DRIVER
				DIRECT	INDIRECT*		
Nd3 Neodymium 3	SMS Surface Mount - SIDE	1' 1' 1-3/8"	27K 2700K	VLO Very Low Output	VLO Very Low Output	UNV Universal (120-277v)	ND Non-Dimming 0-10V DIMMING 10D 10% DIM 1D 1% DIM LUTRON LDE1 Lutron EcoSystem 1% "Soft on" (Digital) LDES Lutron EcoSystem 5% 5-Series (Digital) DALI DALI Digital Addressable Lighting Interface
		2' 2' 1-3/8"	30K 3000K	LO Low Output	LO Low Output		
		3' 3' 1-3/8"	35K 3500K	615 lumens/ft. (6w/ft.)	685 lumens/ft. (6w/ft.)		
		4' 4' 1-3/8"	40K 4000K	SO Standard Output	SO Standard Output		
		5' 5' 1-3/8"	50K 5000K	805 lumens/ft. (8w/ft.)	900 lumens/ft. (8w/ft.)		
		6' 6' 1-3/8"		HO High Output	HO High Output		
		7' 7' 1-3/8"		1,005 lumens/ft. (10w/ft.)	1,125 lumens/ft. (10w/ft.)		
		8' 8' 1-3/8"		VHO Very High Output	VHO Very High Output		
		12' 12' 1-3/8"		1,170 lumens/ft. (12w/ft.)	1,310 lumens/ft. (12w/ft.)		
		CR Continuous Run (Specify length in nominal feet)		DHO Dual High Output	CPO Custom Power Output		
				2,015 lumens/ft. (19.5w/ft.)	Consult factory		

*Dimensions are for reference only. Contact factory for more specific information or shop drawings.
 **Odd lengths may incur slightly higher per foot pricing.

HOUSING FINISH	HARDWARE* DETAIL FINISH	STAND OFF DISTANCE	OPTIONS/ CUSTOMIZATION*
SC Satin Clear Anodize (Standard)	MF Machined Finish (Standard)	0 Flush	XX No EMB or Customization
SW Satin White (Powder Coat)	SW Satin White	.5 Half Inch	EMB7 7 Watt battery back-up** (Approximately 600 lumens)
MB Matte Black (Powder Coat)	MB Matte Black	1 1"	EMB12 12 Watt battery back-up** (Approximately 1,000 lumens)
CF Custom Finish* (Consult Factory)	CF Custom Finish (Consult Factory)	3 3"	90 90+ CRI LED BOARDS (2700K - 4000K only)
		6 6"	CCP Corners/patterns*
		CU Custom (Specify in ft IE: CU4.5 for 4.5')	CD Custom Driver*
			CR Customization Requested*
			WSN Night Air
			WSE Enlighted
			WSW Wavelinx
			WSL Lutron Vive

*RAL and color match are available.

NOTE: The MF option is strongly recommended. Other options will result in higher costs and potentially longer lead times.
 **"Hardware" refers to the end caps and knuckles (knuckles only for the "Rotational" option).

NOTE: Customization may incur higher costs and/or increased lead times.
 *Consult the factory for all custom options or custom concept requests.
 **The EMB12 is slightly more expensive than the EMB7 option (BOTH OPTIONS ARE INTEGRAL).

SURFACE MOUNT SIDE (SMS) STAND OFF
 *VERTICAL FIXTURE MOUNTING IS ALSO POSSIBLE

SURFACE MOUNT TOP (SMT) VERTICAL FIXTURE ORIENTATION STAND OFF (SHOWN) FLUSH MOUNT ALSO AVAILABLE

SURFACE MOUNT OPTIONS

SPECIFICATION INFORMATION

NOTE: All options *italicized in gray* may increase lead times and/or incur higher costs- please consult factory with questions.

GENERAL NOTES:

All fixtures are **UL listed for dry and damp** locations.

INTEGRAL DRIVER for all options.

Please contact the factory with any specification questions.

DRIVER:

- 1) NON-DIMMING: As described... this fixture will not dim.
- 2) DIMMING: 0-10v: 1%, 10% :: Lutron: 2-wire Forward phase (Hi-Lume 1%), Ecosystem to 1% (Soft On), Ecosystem to 5% (5 Series). "DALI"- Specify driver. See "Dimming Options" on subsequent pages for more information. For other dimming options, consult the factory.
- 3) EMERGENCY: Specify EMB under the Options/Customization category at the end of the cut sheet along with the desired lumen output (600 or 1,000 lumens - the latter is slightly more costly).
- 4) Drivers are programmed according to our standard lumen packages or to custom watt/lumen package requirements.
- 5) Consult factory with any questions or specification requirements.

FINISHES:

The standard finish is a Satin Clear anodized housing with Machine Finished hardware. Machined finish is preferable for machined components (Hardware Detail) - Powder coating these parts may result in additional costs. Consult the factory with any questions about standard or custom finishing options.

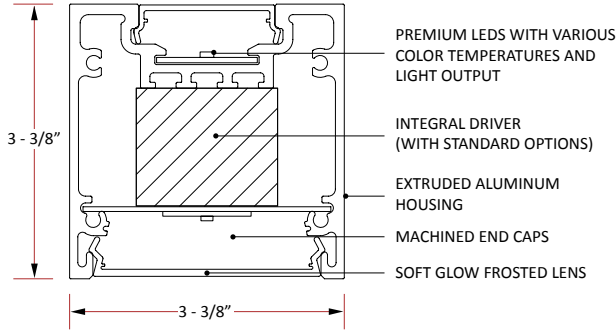
CUSTOMIZATION:

We have numerous custom options available. However, if there is something unique required for a project, from simple options to complete custom requests, we are more than willing to entertain any creative notions you might have. Just ask.



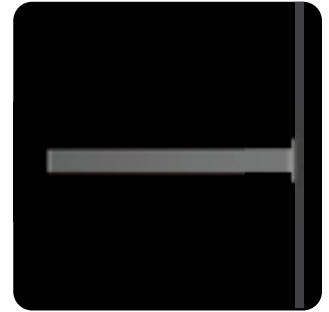
Neodymium ₃

END SURFACE MOUNT - SHORT (ESM)



FEATURES:

- Wall Mount
- High transmission frosted lenses with no diode imaging
- No visible fasteners
- Extruded aluminum housing
- Dimmable/Programmable drivers for controllable light output
- High efficacy LEDs with 5 year warranty
- Under 2 steps MacAdams Ellipse Binning
- 5/16" thick machined end caps
- Bi-directional fixture



PRODUCT SPECIFICATION

NOTE: All options *italicized* may increase lead times and/or incur higher costs - please consult factory with questions.

FIXTURE TYPE Nd3	MOUNTING/ ORIENTATION ESM	NOMINAL LENGTH*	COLOR TEMP	LED DRIVE POWER		VOLTAGE	DRIVER
				DIRECT	INDIRECT*		
Nd3 Neodymium 3	ESM End Surface Mount	1' 1-3/8" 2' 1-3/8"	27K 2700K	VLO Very Low Output 405 lumens/ft. (4w/ft.)	VLO Very Low Output 455 lumens/ft. (4w/ft.)	UNV Universal (120-277v)	ND Non-Dimming 0-10v DIMMING 10D 10% DIM 1D 1% DIM LUTRON LDE1 Lutron EcoSystem 1% "Soft on" (Digital) LDES Lutron EcoSystem 5% 5-Series (Digital) DALI DALI Digital Addressable Lighting Interface
			30K 3000K	LO Low Output 615 lumens/ft. (6w/ft.)	LO Low Output 685 lumens/ft. (6w/ft.)		
			35K 3500K	SO Standard Output 805 lumens/ft. (8w/ft.)	SO Standard Output 900 lumens/ft. (8w/ft.)		
			40K 4000K	HO High Output 1,005 lumens/ft. (10w/ft.)	HO High Output 1,125 lumens/ft. (10w/ft.)		
			50K 5000K	VHO Very High Output 1,170 lumens/ft. (12w/ft.)	VHO Very High Output 1,310 lumens/ft. (12w/ft.)		
			DHO Dual High Output 2,015 lumens/ft. (19.5w/ft.)	CPO Custom Power Output Consult factory			

HOUSING FINISH	HARDWARE* DETAIL FINISH	MOUNTING/ COVER PLATE	OPTIONS/ CUSTOMIZATION*
SC Satin Clear Anodize (Standard) SW Satin White (Powder Coat) MB Matte Black (Powder Coat) CF Custom Finish* (Consult Factory)	MF Machined Finish (Standard) SW Satin White MB Matte Black CF Custom Finish (Consult Factory)	4CPF Flat 4" diameter Cover Plate - For use with 3-0 mud ring CCP Custom Cover Plate*	XX No EMB or Customization EMB7 7 Watt battery back-up** (Approximately 600 lumens) EMB12 12 Watt battery back-up** (Approximately 1,000 lumens) 90 90+ CRI LED BOARDS (2700K - 4000K only) CCP Corners/patterns* CD Custom Driver* CR Customization Requested* WSN Nlight Air WSE Enlighted WSW Wavelinx WSL Lutron Vive
<p>*RAL and color match are available.</p> <p>NOTE: MF option is strongly recommended. Other options will result in higher costs and potentially longer lead times. **"Hardware" refers to the end caps and knuckles (knuckles only for the "Rotational" option).</p>		<p>*Consult the factory.</p>	<p>NOTE: Customization may incur higher costs and/or increased lead times. *Consult the factory for all custom options or custom concept requests. **The EMB12 is slightly more expensive than the EMB7 option (BOTH OPTIONS ARE INTEGRAL).</p>

SPECIFICATION INFORMATION

NOTE: All options *italicized in gray* may increase lead times and/or incur higher costs- please consult factory with questions.

GENERAL NOTES:

All fixtures are **UL listed for dry and damp** locations.

REMOTE DRIVER for all options.

Please contact the factory with any specification questions.

FIXTURE ORIENTATION:

Direct (CSD) for downlight applications.

Indirect (CSI) for uplight applications.

DRIVER: [REMOTE]

- 1) NON-DIMMING: As described... this fixture will not dim.
- 2) DIMMING: 0-10v: 1%, 10% :: Lutron: 2-wire Forward phase (Hi-Lume 1%), Ecosystem to 1% (Soft On), Ecosystem to 5% (5 Series). "DALI"- Specify driver. See "Dimming Options" on subsequent pages for more information. For other dimming options, consult the factory.
- 3) EMERGENCY: Specify EMB under the Options/Customization category at the end of the cut sheet along with the desired lumen output (600 or 1,000 lumens - the latter is slightly more costly).
- 4) Drivers are programmed according to our standard lumen packages or to custom watt/lumen package requirements.
- 5) Consult factory with any questions or specification requirements.

FINISHES:

The standard finish is a Satin Clear anodized housing with Machine Finished hardware. Machined finish is preferable for machined components (Hardware Detail) - Powder coating these parts may result in additional costs. Consult the factory with any questions about standard or custom finishing options.

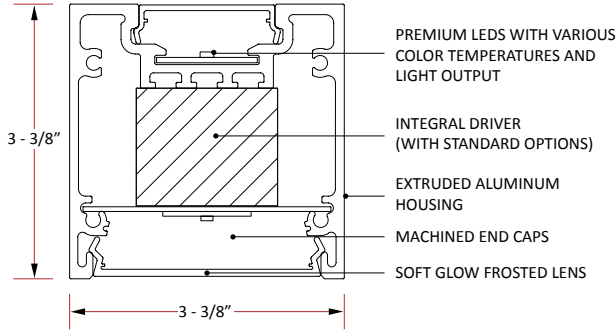
CUSTOMIZATION:

We have numerous custom options available. However, if there is something unique required for a project, from simple options to complete custom requests, we are more than willing to entertain any creative notions you might have. Just ask.



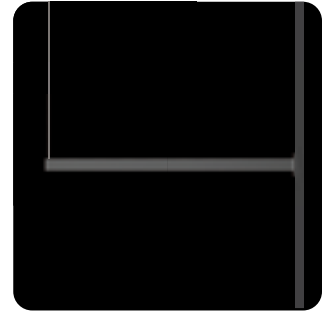
Neodymium 3

END SURFACE MOUNT - LONG (ESM)



FEATURES:

- Wall mount with aircraft cable support
- High transmission frosted lenses with no diode imaging
- No visible fasteners
- Extruded aluminum housing
- Dimmable/Programmable drivers for controllable light output
- High efficacy LEDs with 5 year warranty
- Under 2 steps MacAdams Ellipse Binning
- 5/16" thick machined end caps
- Bi-directional fixture



PRODUCT SPECIFICATION

FIXTURE TYPE	MOUNTING/ ORIENTATION	NOMINAL LENGTH*	COLOR TEMP	LED DRIVE POWER		VOLTAGE	DRIVER	HOUSING FINISH
				DIRECT	INDIRECT*			
Nd3 Neodymium 3	ESM End Surface Mount	1' 1'-3/8" 2' 2'-1-3/8" 3' 3'-1-3/8" 4' 4'-1-3/8" 5' 5'-1-3/8" 6' 6'-1-3/8" 7' 7'-1-3/8" 8' 8'-1-3/8" 12' 12'-1-3/8" CR ___' Continuous Run (Specify length in nominal feet)	27K 2700K 30K 3000K 35K 3500K 40K 4000K 50K 5000K	VLO Very Low Output 405 lumens/ft. (4w/ft.) LO Low Output 615 lumens/ft. (6w/ft.) SO Standard Output 805 lumens/ft. (8w/ft.) HO High Output 1,005 lumens/ft. (10w/ft.) VHO Very High Output 1,170 lumens/ft. (12w/ft.) DHO Dual High Output 2,015 lumens/ft. (19.5w/ft.) CPO Custom Power Output Consult factory	VLO Very Low Output 455 lumens/ft. (4w/ft.) LO Low Output 685 lumens/ft. (6w/ft.) SO Standard Output 900 lumens/ft. (8w/ft.) HO High Output 1,125 lumens/ft. (10w/ft.) VHO Very High Output 1,310 lumens/ft. (12w/ft.) CPO Custom Power Output Consult factory	UNV Universal (120-277v)	ND Non-Dimming 0-10v DIMMING 10D 10% DIM 1D 1% DIM LUTRON LDE1 Lutron EcoSystem 1% "Soft on" (Digital) LDES Lutron EcoSystem 5% 5-Series (Digital) DALI DALI Digital Addressable Lighting Interface	SC Satin Clear Anodize (Standard) SW Satin White (Powder Coat) MB Matte Black (Powder Coat) CF Custom Finish* (Consult Factory)

*Dimensions are for reference only. Contact factory for more specific information or shop drawings.
 **Odd lengths may incur slightly higher per foot pricing.

*RAL and color match are available.

HARDWARE* DETAIL FINISH	MOUNTING/ COVER PLATE	CANOPY SIZE OPTIONS*	CANOPY FINISH	POWER CORD COLOR	AIRCRAFT CABLE LENGTH*	OPTIONS/ CUSTOMIZATION*
MF Machined Finish (Standard) SW Satin White MB Matte Black CF Custom Finish (Consult Factory)	4CPF Flat 4" diameter Cover Plate - For use with a 3-O mud ring CCP Custom Cover Plate*	44 4" Power feed canopy 4" Non-power feed canopy 41 4" Power feed canopy 1" Non-power feed canopy 40 4" Power feed canopy Canopy only at power feed	MF Machine Finish (Standard) SW Satin White CF Custom Finish*	W White G Gray B Black CC Custom Cord*	2 2' 4 4' 6 6' 8 8' CL_ Custom Length** (Specify in feet IE: CL10 for 10')	XX No EMB or Customization EMB7 7 Watt battery back-up** (Approximately 600 lumens) EMB12 12 Watt battery back-up** (Approximately 1,000 lumens) 90 90+ CRI LED BOARDS (2700K - 4000K only) CCP Corners/patterns* CD Custom Driver* CR Customization Requested* WSN Night Air WSE Enlighted WSW Wavelinx WSL Lutron Vive

NOTE: MF option is strongly recommended. Other options will result in higher costs and potentially longer lead times.
 **"Hardware" refers to the end caps and knuckles (knuckles only for the "Rotational" option).

*Consult the factory.

*CONTINUOUS RUNS REQUIRE THE 55" OR THE 44" OPTION. CONSULT FACTORY WITH QUESTIONS.
 *See options section and installation instructions for more information.

*Consult the factory.

*Cables are field adjustable.
 ** Consult factory to confirm specific length.

NOTE: Customization may incur higher costs and/or increased lead times.
 *Consult the factory for all custom options or custom concept requests.
 ***The EMB12 is slightly more expensive than the EMB7 option (BOTH OPTIONS ARE INTEGRAL).

SPECIFICATION INFORMATION

NOTE: All options *italicized in gray* may increase lead times and/or incur higher costs- please consult factory with questions.

GENERAL NOTES:

All fixtures are **UL listed for dry and damp** locations.

REMOTE DRIVER for all options.

Please contact the factory with any specification questions.

DRIVER: [REMOTE]

- 1) NON-DIMMING: As described... this fixture will not dim.
- 2) DIMMING: 0-10v: 1%, 10% :: Lutron: 2-wire Forward phase (Hi-Lume 1%), Ecosystem to 1% (Soft On), Ecosystem to 5% (5 Series). "DALI"- Specify driver. See "Dimming Options" on subsequent pages for more information. For other dimming options, consult the factory.
- 3) EMERGENCY: Specify EMB under the Options/Customization category at the end of the cut sheet along with the desired lumen output (600 or 1,000 lumens - the latter is slightly more costly).
- 4) Drivers are programmed according to our standard lumen packages or to custom watt/lumen package requirements.
- 5) Consult factory with any questions or specification requirements.

FINISHES:

The standard finish is a Satin Clear anodized housing with Machine Finished hardware. Machined finish is preferable for machined components (Hardware Detail) - Powder coating these parts may result in additional costs. Consult the factory with any questions about standard or custom finishing options.

CUSTOMIZATION*:

We have numerous custom options available. However, if there is something unique required for a project, from simple options to complete custom requests, we are more than willing to entertain any creative notions you might have. Just ask.



PRODUCT SPECIFICATION

- Fixture delivered light potential: 108 Lumens/Watt*
- Uniform light distribution
- 90+ CRI LED diode options
- Exceptional binning- less than 2 step MacAdams Ellipse
- Minimum 70% initial lumen output at 70,000 hours
- Standard 0-10v dimming to %10
- Lutron, Eldoled, Dali, and other dimming options
- 5 year system warranty

*Actual fixture efficacy will be dependent on specification. Higher lumens per watt are achieved with lower drive powers. Please contact the factory with questions or for more information.

LUMEN OUTPUT *

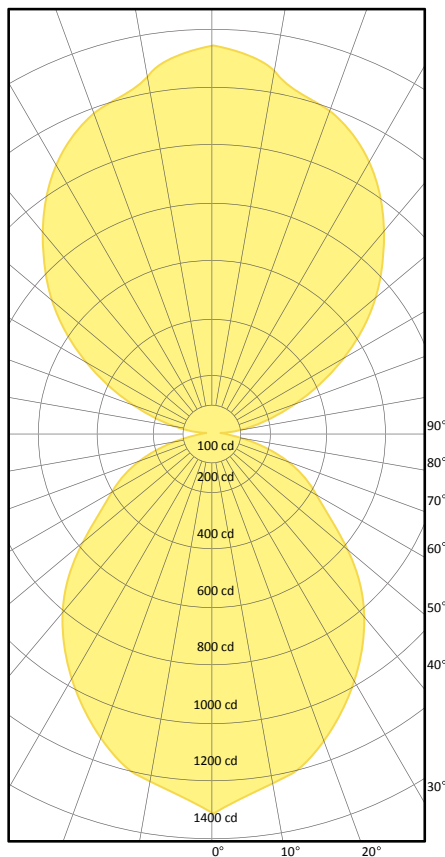
DRIVER OUTPUT	LUMEN OUTPUT (PER FOOT)			
	— DIRECT —		— INDIRECT —	
	WATTAGE	LUMENS	WATTAGE	LUMENS
VERY LOW (VLO)	4	405	4	455
LOW (LO)	6	615	6	685
STANDARD (SO)	8	805	8	900
HIGH (HO)	10	1,005	10	1,125
VERY HIGH (VHO)	12	1,170	12	1,310
DUAL HIGH (DHO)	19.5	2,015	19.5	2,250

DRIVER OUTPUT	LUMEN OUTPUT (PER FOOT)			
	— DIRECT —		— INDIRECT —	
	WATTAGE	LUMENS	WATTAGE	LUMENS
VERY LOW (VLO)	16	1,620	16	1,820
LOW (LO)	24	2,460	24	2,740
STANDARD (SO)	32	3,220	32	3,600
HIGH (HO)	40	4,020	40	4,500
VERY HIGH (VHO)	48	4,680	48	5,240

*Lumen output will vary depending on ambient temperature. Cooler ambient and LED color temperatures result in higher luminaire performance. Calculations are based on 4000K LEDs.

Dual board row efficacy is just slightly lower than single rows. Not available with all fixture configurations. Consult factory or local rep agency before specifying.

LUMINOUS INTENSITY DISTRIBUTION

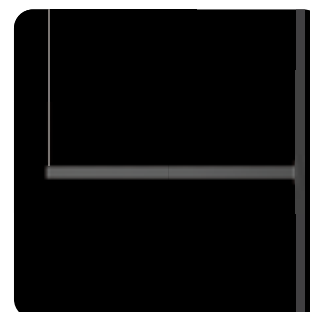
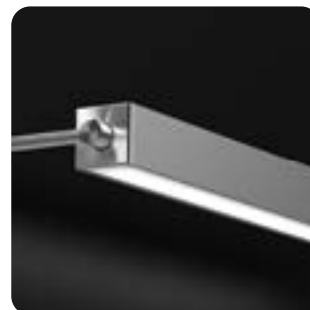


FIXTURE PROPERTIES (AS TESTED)

- 4' nominal length fixture
- Standard Output (SO)
- Total system energy consumption: 64 Watt
- 108 Lumens/Watt
- 4000K 80 CRI LED

ZONAL LUMEN SUMMARY

ZONE	LUMEN	%LAMP	%FIXTURE
0 - 30	970	11.2%	14.3%
0 - 40	1,557	18%	22.9%
0 - 60	2,624	30.4%	38.6%
0 - 90	3,212	37.2%	47.2%
90 - 120	744	8.6%	10.9%
90 - 150	2,587	30%	38%
90 - 180	3,593	41.6%	52.8%
0 - 180	6,805	78.8%	100%



OPTIONS GUIDE

MOUNTING



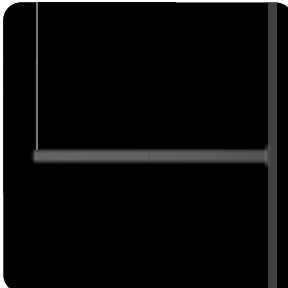
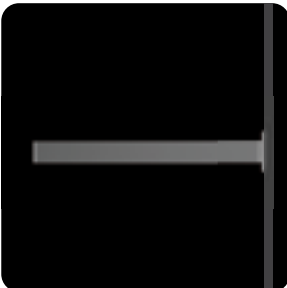
CABLE SUSPENDED (CS)

3/64" aircraft cable suspension system. Neodymium 3 (Nd3) can be static down-light and up-light: Bi-Directional (CS). Standard and custom power cord finishes, sleeve options, and canopy colors offer options to match almost any space. Stainless steel cables come in various lengths (4' is standard) and are field adjustable.



ROTATIONAL ARM MOUNT (RAM)

This system uses 5/8" diameter aluminum arms and subtle details in combination with a 360 degree rotational capacity to create some of the most versatile linear fixtures in the architectural market. Standard mounting uses 3-O mud rings (supplied by others) or a 1" optional trim ring for furniture mounted applications. Engineered with no visible fasteners, smooth rotation, and mechanical locking, the RAM system reveals an impressive aesthetic with exceptional versatility.



END SURFACE MOUNT (ESM)

Wall Mount. Fixtures are mounted from their ends onto the wall using standard 3-O rings. Nd3 can be static down-light and up-light: Bidirectional (ESM). An aircraft cable suspension system will be issued if the fixtures are longer than 2 feet, if needed.



SURFACE MOUNT (SMS)

Side Mount Side (SMS). Side, the fixture is mounted on the wall giving a static bi-directional up-light and down-light. Optional stand-offs allow for fixtures to be mounted from 1/2" to 12" as well as custom lengths if needed.



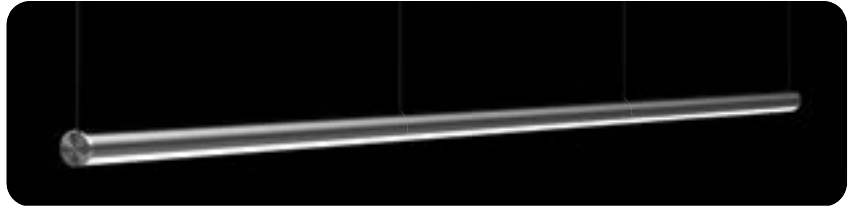
OPTIONS GUIDE

CONTINUOUS RUN

Continuous runs are available with all fixtures and have several connection options. Single Seam continuous run options offer smooth section transitions while Component Seams lend to a more dramatic visual statement. The 360 Rotational option enables individual sections to rotate independently of each other, which offers adjustable asymmetric light distribution capacity along with striking appearances such as alternating up/down fixtures or spiral transitions. The flexibility within the rotational option makes for infinite design and functional possibilities.



CONTINUOUS RUN
SINGLE SEAM



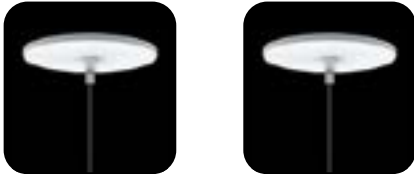
OXYGEN 2 (O2) WITH A SINGLE SEAM CONTINUOUS RUN

CANOPIES

STANDARD

Canopies have several standard options to suit various environment aesthetics. The standard cable suspension system has 5" Satin White canopies. However, other standard options include a 2" non-power feed canopy option as well as no canopy at all. Both of these include a 5" diameter power feed canopy.

55



5" diameter power feed and 5" diameter non-pow feed canopy. Most common canopy layout. Creates a consistent ceiling aesthetic.

52



5" diameter power feed and 2" diameter non-power feed canopy. Offers a more minimal ceiling treatment while maintaining the ability to cover up mistakes. Requires a 1/4-20 stud securely fastened to the ceiling.

50



5" diameter power feed canopy and no canopy on the non-power feed side. Minimal aesthetic. Requires a 1/4-20 stud securely attached to ceiling. Works well with continuous runs where the power can be carried inside the fixture.

MACHINED

Machined canopies are 4" in diameter and can be anodized as well as powder coated to match a desired color or they can be left with a mill finish for a more striking look. Similar non-power feed options are available with this aesthetic as well. These options do carry a higher cost than standard canopies, but also have an impressive appearance.

44



4" diameter machined power feed and 4" diameter machined non-power feed canopy. Offers a consistent ceiling aesthetic with smaller machined canopies. Mill, anodized, and powder coat finishes available.

41



4" diameter machined power feed and 1-1/4" diameter machined non-power feed canopy. Offers minimal ceiling treatment while maintaining the ability to cover mistakes. Requires a 1/4-20 stud securely fastened to the ceiling. Mill, anodized, and powder coat finishes available.

40



4" diameter machined power feed canopy and no canopy on the non-power feed side. Minimal aesthetic. Requires a 1/4-20 stud securely attached to the ceiling. Works well with continuous runs where the power can be carried inside the fixture. Mill, anodized, and powder coat finishes available.

CUSTOM

Custom canopy options are available and can look spectacular in certain applications. Contact the factory with all custom requests or with any questions.



CUSTOM POWDER COAT



CUSTOM ANODIZE



CUSTOM SHAPE



Lumium Lighting, LLC | 3590 Cadillac Ave, Suite A, Costa Mesa, CA 92626 | Phone: 760.757.2530 | Fax: 760.283.2333 | www.lumiumlighting.com

While we always strive to ensure all website content and product information is current, Lumium Lighting reserves the right to change specifications without notice.
© Lumium Lighting, LLC - All rights reserved.



Lumium
lighting at its element

OPTIONS GUIDE

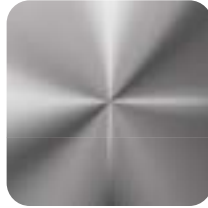
COLOR AND FINISH

Standard finish configurations are Satin Clear (SC) housing with Machined Finish (MF) machined components (end caps, knuckles, cover plates, etc.). The incredibly clean detail within all of the machined components lends to an incredibly high end aesthetic with two tone finish. Numerous custom anodizing and powder coated finishes are available as well. If you have a particular color/finish treatment in mind, please contact the factory and we will do our best to accommodate your project needs.

STANDARD



SATIN CLEAR
ANODIZING



MACHINED
COMPONENTS

CUSTOM



MATTE BLACK



GLOSS BLACK



BRONZE



MILL ALUMINUM



SPECULAR



SATIN WHITE



GLOSS WHITE



COLOR POWDER COAT



COLOR ANODIZE



RAL COLORS

FINISHED CONFIGURATION



THALLIUM 2 (Th2)

Cable Suspended Rotational mount system with two-tone finish, Satin Clear housing and Machined Finish components.



Lumium Lighting, LLC | 3590 Cadillac Ave, Suite A, Costa Mesa, CA 92626 | Phone: 760.757.2530 | Fax: 760.283.2333 | www.lumiumlighting.com

While we always strive to ensure all website content and product information is current, Lumium Lighting reserves the right to change specifications without notice.
© Lumium Lighting, LLC - All rights reserved.



Lumium
lighting at its element