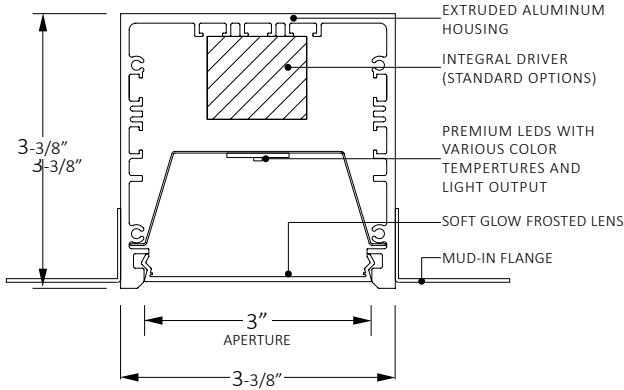


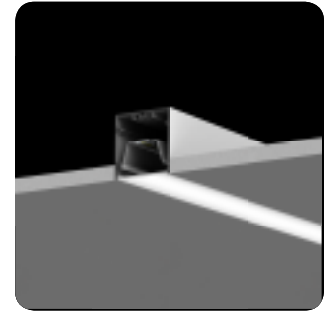
Iridium ³

RECESSED LINEAR (RL)



FEATURES:

- 3" aperture recessed fixture
- High transmission frosted lenses with no diode imaging
- No visible fasteners
- Extruded aluminum housing
- Dimmable/Programmable drivers for controllable light output
- High efficacy LEDs with 5 year warranty
- Under 2 steps MacAdams Ellipse Binning
- Nearly limitless Continuous Runs



PRODUCT SPECIFICATION

NOTE: All options *italicized* may increase lead times and/or incur higher costs - please consult factory with questions.

FIXTURE TYPE	MOUNTING	NOMINAL LENGTH*	COLOR TEMP	LED DRIVE POWER	VOLTAGE	DRIVER
Ir3 Iridium 3	DMI Dry Wall Mud-In ACT15 15/16" Grid Act ACT9 9/16" Grid Act	1' 2' 3' 4' 5' 6' 7' 8' CR ^{**}	27K 2700K 30K 3000K 35K 3500K 40K 4000K 50K 5000K	VLO Very Low Output 390 lumens/ft. (4w/ft.) LO Low Output 590 lumens/ft. (6w/ft.) SO Standard Output 775 lumens/ft. (8w/ft.) HO High Output 970 lumens/ft. (10w/ft.) VHO Very High Output 1,130 lumens/ft. (12w/ft.) CPO Custom Power Output Consult factory	UNV Universal (120-277v)	ND Non-Dimming 0-10v DIMMING 10D 10% DIM 1D 1% DIM LUTRON LDE1 Lutron EcoSystem 1% "Soft on" (Digital) LDE5 Lutron EcoSystem 5% 5-Series (Digital) DALI DALI Digital Addressable Lighting Interface

*Dimensions are for reference only. Contact factory for more specific information or shop drawings.
 **Continuous Run: Specify in nominal feet

HOUSING FINISH	OPTIONS/CUSTOMIZATION*
SW Satin White (Standard) CF Custom Finish (Consult Factory)	XX No EMB or Customization EMB7 7 Watt battery back-up** (Approximately 600 lumens) EMB12 12 Watt battery back-up** (Approximately 1,000 lumens) 90 90+ CRI LED BOARDS CCP Corners/patterns* CD Custom Driver* CR Customization Requested* WSN Nlight Air WSE Enlighted WSW Wavelinx WSL Lutron Vive

NOTE: Customization may incur higher costs and/or increased lead times.
 *Consult the factory for all custom options or custom concept requests.
 **The EMB12 is slightly more expensive than the EMB7 option (BOTH OPTIONS ARE INTEGRAL ONLY).

SPECIFICATION INFORMATION

NOTE: All options *italicized in gray* may increase lead times and/or incur higher costs- please consult factory with questions.

GENERAL NOTES:

All fixtures are **UL listed** for **dry** and **damp** locations.

REMOTE DRIVER for all options.

Please contact the factory with any specification questions.

DRIVER: [INTEGRAL]

- 1) NON-DIMMING: As described... this fixture will not dim.
- 2) DIMMING: 0-10v: 1%, 10% :: Lutron: 2-wire Forward phase (Hi-Lume 1%), Ecosystem to 1% (Soft On), Ecosystem to 5% (5 Series). "DALI" - Specify driver. See "Dimming Options" on subsequent pages for more information. For other dimming options, consult the factory.
- 3) EMERGENCY: Specify EMB under the Options/Customization category at the end of the cut sheet along with the desired lumen output (600 or 1,000 lumens - the latter is slightly more costly).
- 4) Drivers are programmed according to our standard lumen packages or to custom watt/lumen package requirements.
- 5) Consult factory with any questions or specification requirements.

FINISHES:

The standard finish is a Satin Clear anodized housing with Machine Finished hardware. Machined finish is preferable for machined components (Hardware Detail) - Powder coating these parts may result in additional costs. Consult the factory with any questions about standard or custom finishing options.

CUSTOMIZATION:

We have numerous custom options available. However, if there is something unique required for a project, from simple options to complete custom requests, we are more than willing to entertain any creative notions you might have. Just ask.



PRODUCT SPECIFICATION

- Fixture delivered light potential: 99 Lumens/Watt*
- Uniform light distribution
- 90+ CRI LED diode options
- Exceptional binning- less than 2 step MacAdams Elipse
- Minimum 70% initial lumen output at 70,000 hours
- Standard 0-10v dimming to %10
- Lutron, Eldoled, Dali, and other dimming options
- 5 year system warranty

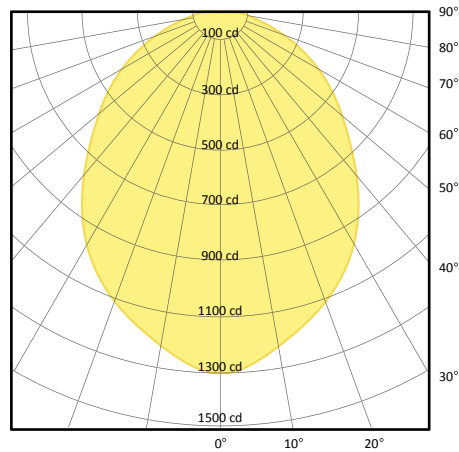
*Actual fixture efficacy will be dependent on specification. Higher lumens per watt are achieved with lower drive powers. Please contact the factory with questions or for more information.

LUMEN OUTPUT*

DRIVER OUTPUT	LUMEN OUTPUT (PER FOOT)	
	WATTAGE	LUMENS
VERY LOW (VLO)	4	390
LOW (LO)	6	590
STANDARD (SO)	8	775
HIGH (HO)	10	970
VERY HIGH (VHO)	12	1,130

DRIVER OUTPUT	PER 4' FIXTURE (TOTAL DELIVERED LUMENS)	
	WATTAGE	LUMENS
VERY LOW (VLO)	16	1,560
LOW (LO)	24	2,360
STANDARD (SO)	32	3,100
HIGH (HO)	40	3,880
VERY HIGH (VHO)	48	4,520

LUMINOUS INTENSITY DISTRIBUTION

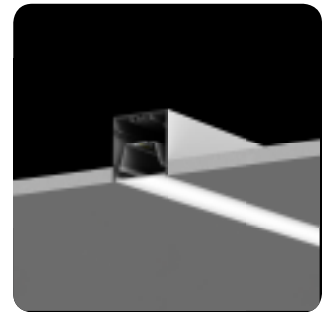


FIXTURE PROPERTIES (AS TESTED)

- 4' nominal length fixture
- Standard Output (SO)
- Total system energy consumption: 32 Watt
- 99 Lumens/Watt
- 4000K 80 CRI LED

ZONAL LUMEN SUMMARY

ZONE	LUMEN	%LAMP	%FIXTURE
0 - 30	945	21.9%	30.4%
0-40	1,509	34.9%	48.6%
0-60	2,528	58.5%	81.4%
0-90	3,105	71.9%	100%



*Lumen output will vary depending on ambient temperature. Cooler ambient and LED color temperatures result in higher luminaire performance. Calculations are based on 4000K LEDs.

