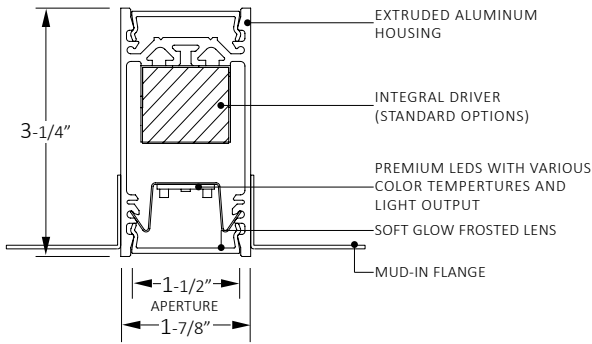


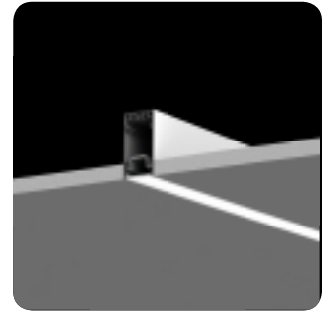
Iridium

RECESSED LINEAR (RL)



FEATURES:

- Less Than 1- 1/2" aperture recessed fixture
- High transmission frosted lenses with no diode imaging
- No visible fasteners
- Extruded aluminum housing
- Dimmable/Programmable drivers for controllable light output
- High efficacy LEDs with 5 year warranty
- Under 2 steps MacAdams Ellipse Binning
- Nearly limitless Continuous Runs



PRODUCT SPECIFICATION

NOTE: All options *italicized* may increase lead times and/or incur higher costs - please consult factory with questions.

FIXTURE TYPE	MOUNTING	NOMINAL LENGTH*	COLOR TEMP	LED DRIVE POWER	VOLTAGE	DRIVER
Ir1 Iridium 1	DMI Dry Wall Mud-In ACT15 15/16" Grid Act ACT9 9/16" Grid Act	1' 2' 3' 4' 5' 6' 7' 8' CR <i>**</i>	27K 2700K 30K 3000K 35K 3500K 40K 4000K 50K 5000K	VLO Very Low Output 430 lumens/ft. (4w/ft.) LO Low Output 650 lumens/ft. (6w/ft.) SO Standard Output 855 lumens/ft. (8w/ft.) HO High Output 1,070 lumens/ft. (10w/ft.) VHO Very High Output 1,240 lumens/ft. (12w/ft.) CPO Custom Power Output Consult factory CPO:	UNV Universal (120-277v)	ND Non-Dimming 0-10v DIMMING 10D 10% DIM 1D 1% DIM LUTRON LDE1 Lutron EcoSystem 1% "Soft on" (Digital) LDE5 Lutron EcoSystem 5% 5-Series (Digital) DALI DALI Digital Addressable Lighting Interface

*Dimensions are for reference only. Contact factory for more specific information or shop drawings.
**Continuous Run: Specify in nominal feet

HOUSING FINISH	OPTIONS/CUSTOMIZATION*
SW Satin White (Standard) CF Custom Finish (Consult Factory) CF:	XX No EMB or Customization EMB7 7 Watt battery back-up** (Approximately 600 lumens) EMB12 12 Watt battery back-up** (Approximately 1,000 lumens) 90 90+ CRI LED BOARDS CCP Corners/patterns* CD Custom Driver* CR Customization Requested* WSE Enlighted WSW Wavelinx <small>NOTE: Customization may incur higher costs and/or increased lead times. *Consult the factory for all custom options or custom concept requests. **The EMB12 is slightly more expensive than the EMB7 option (BOTH OPTIONS ARE INTEGRAL ONLY).</small>

SPECIFICATION INFORMATION

NOTE: All options *italicized in gray* may increase lead times and/or incur higher costs- please consult factory with questions.

GENERAL NOTES:

All fixtures are **UL listed** for **dry** and **damp** locations.

REMOTE DRIVER for all options.

Please contact the factory with any specification questions.

DRIVER: [INTEGRAL]

- 1) NON-DIMMING: As described... this fixture will not dim.
- 2) DIMMING: 0-10v: 1%, 10% :: Lutron: 2-wire Forward phase (Hi-Lume 1%), Ecosystem to 1% (Soft On), Ecosystem to 5% (5 Series). "DALI" - Specify driver. See "Dimming Options" on subsequent pages for more information. For other dimming options, consult the factory.
- 3) EMERGENCY: Specify EMB under the Options/Customization category at the end of the cut sheet along with the desired lumen output (600 or 1,000 lumens - the latter is slightly more costly).
- 4) Drivers are programmed according to our standard lumen packages or to custom watt/lumen package requirements.
- 5) Consult factory with any questions or specification requirements.

FINISHES:

The standard finish is a Satin Clear anodized housing with Machine Finished hardware. Machined finish is preferable for machined components (Hardware Detail) - Powder coating these parts may result in additional costs. Consult the factory with any questions about standard or custom finishing options.

CUSTOMIZATION:

We have numerous custom options available. However, if there is something unique required for a project, from simple options to complete custom requests, we are more than willing to entertain any creative notions you might have. Just ask.



PRODUCT SPECIFICATION

- Fixture delivered light potential: 108 Lumens/Watt*
- Uniform light distribution
- 90+ CRI LED diode options
- Exceptional binning- less than 2 step MacAdams Ellipse
- Minimum 70% initial lumen output at 70,000 hours
- Standard 0-10v dimming to %10
- Lutron, Eldoled, Dali, and other dimming options
- 5 year system warranty

*Actual fixture efficacy will be dependent on specification. Higher lumens per watt are achieved with lower drive powers. Please contact the factory with questions or for more information.

LUMEN OUTPUT*

DRIVER OUTPUT	LUMEN OUTPUT (PER FOOT)	
	WATTAGE	LUMENS
VERY LOW (VLO)	4	430
LOW (LO)	6	650
STANDARD (SO)	8	855
HIGH (HO)	10	1,070
VERY HIGH (VHO)	12	1,240

DRIVER OUTPUT	PER 4' FIXTURE (TOTAL DELIVERED LUMENS)	
	WATTAGE	LUMENS
VERY LOW (VLO)	16	1,720
LOW (LO)	24	2,600
STANDARD (SO)	32	3,420
HIGH (HO)	40	4,280
VERY HIGH (VHO)	48	4,960

VERY LOW: Considerably underdrives the LEDs to maximize fixture efficacy potential and limit wattage use.

LOW: Underdrives the LEDs for reasonable light output while maintaining low wattage use.

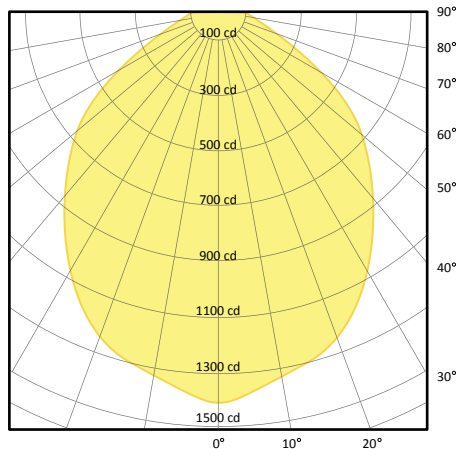
STANDARD: Drives the LEDs for the best combination of lumen output and fixture efficacy.

HIGH: Drive the LEDs at higher capacity for higher lumen output with good efficacy.

VERY HIGH: Drives the LEDs at the highest capacity for the highest lumen output with the best efficacy.

*Lumen output will vary depending on ambient temperature. Cooler ambient and LED color temperatures result in higher luminaire performance. Calculations are based on 4000K LEDs.

LUMINOUS INTENSITY DISTRIBUTION



FIXTURE PROPERTIES (AS TESTED)

- 4' nominal length fixture
- Standard Output (SO)
- Total system energy consumption: 32 Watt
- 108 Lumens/Watt
- 4000K 80 CRI LED

ZONAL LUMEN SUMMARY

ZONE	LUMEN	%LAMP	%FIXTURE
0 - 30	1,060	23.8%	30.1%
0-40	1,651	38.2%	48.8%
0-60	2,782	64.4%	81.6%
0-90	3,410	79%	100%

