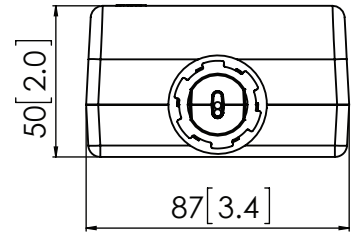
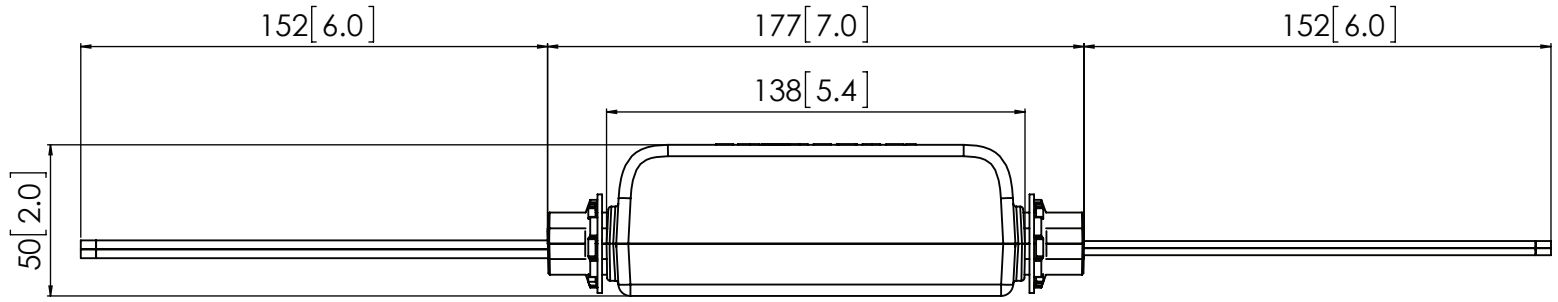
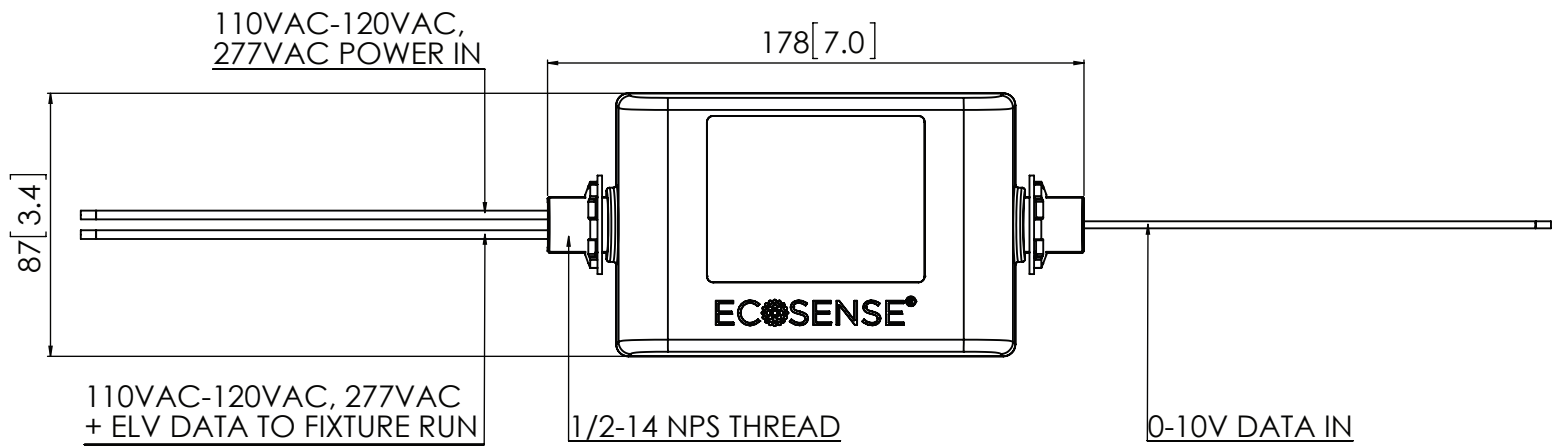
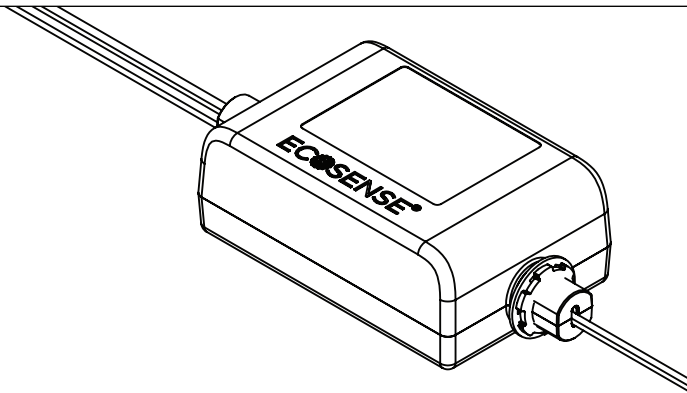


ORDERING INFORMATION		EXAMPLE: SCD-DCM-120-277-010V-WH	
MODEL	VOLTAGE	CONTROL	COLOR
SCD-DCM	120-277 110VAC-120VAC, 277V Auto-Sensing Voltage Switch	010V (0-10V)	WH (White)



ITEM NO.	PART NUMBER	DESCRIPTION	QTY
1	SCD-DCM-120-277-010V-WH	SCD DIMMING CONTROL MODULE, 120V, 277V, 0-10V, 400W/120V, 1000W/277V, WHITE	1PC

PROPRIETARY AND CONFIDENTIAL
 THE INFORMATION CONTAINED IN THIS DRAWING IS THE SOLE PROPERTY OF ECOSENSE LIGHTING. ANY REPRODUCTION IN PART OR AS A WHOLE WITHOUT THE WRITTEN PERMISSION OF ECOSENSE LIGHTING IS PROHIBITED.

ECOSENSE
 ECOSENSE LIGHTING, INC.
 915 WILSHIRE BOULEVARD
 SUITE 2175
 LOS ANGELES, CA 90017
 TEL: 855.632.6736 FAX: 310.496.6256
 INFO@ECOSENSELIGHTING.COM
 WWW.ECOSENSELIGHTING.COM

UNLESS OTHERWISE SPECIFIED
 DIMENSIONS IN INCHES / [MM]
 .XX ± .01" / .25MM ANGLE ± 1°
 .XXX ± .005" / .15MM FRACTION ± 1/64"
 INTERPRET ACCORDING TO ASME Y14.5
 THIRD ANGLE PROJECTION

DRAWN DATE 15-MAY-19
 CHECKED DATE 15-MAY-19
 MATERIAL POLYCARBONATE
 FINISH INJECTION-MATT SURFACE

DESCRIPTION
Slim Cove Dim Dimming Control Module
 DWG. NO
SCD Dimming Control Module - SPEC
 DO NOT UPDATE MANUALLY
 SCALE 1:2.5
 SIZE A
 SHEET 1 OF 1