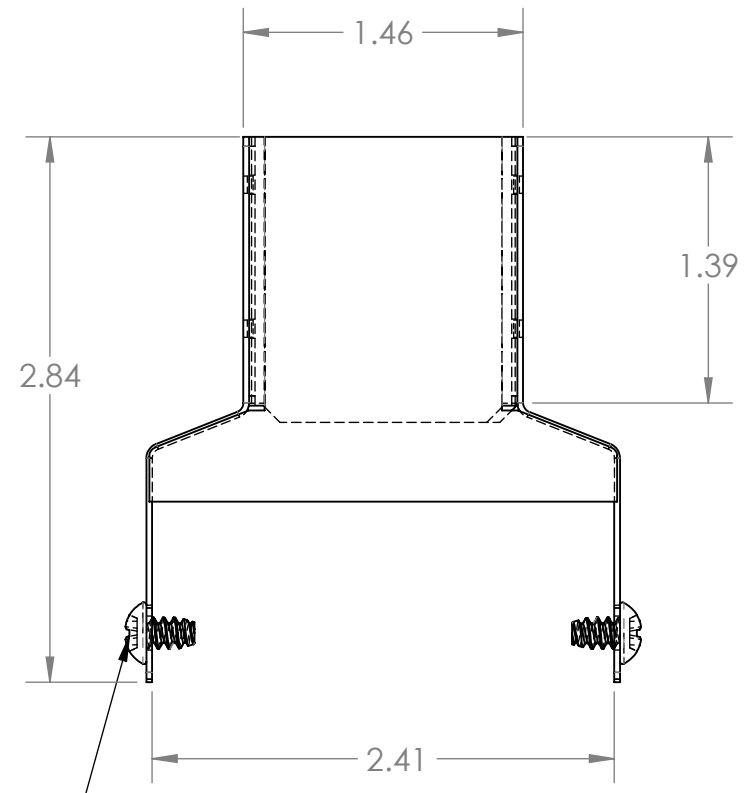
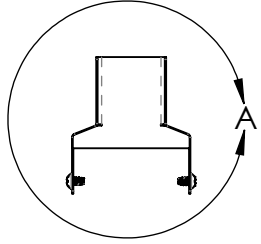
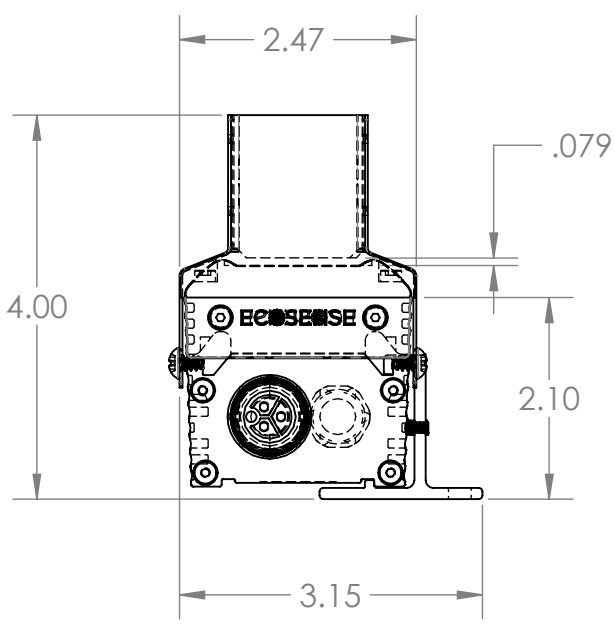
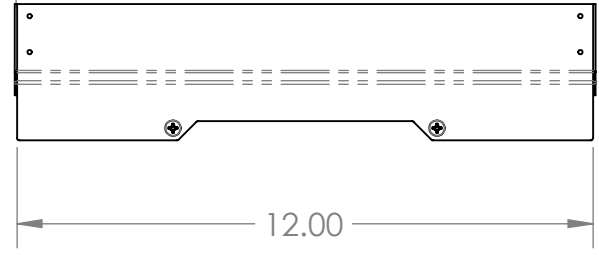
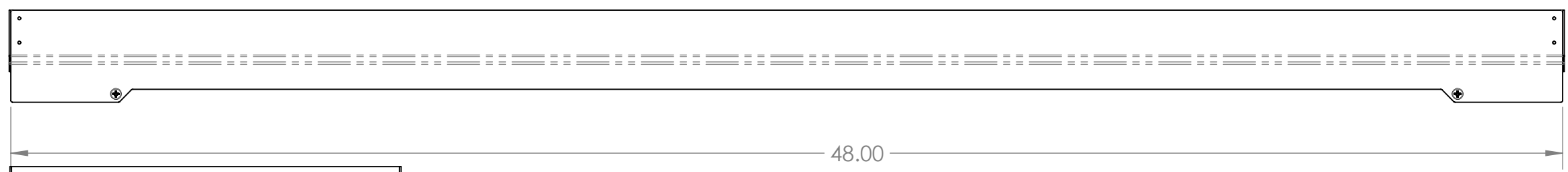
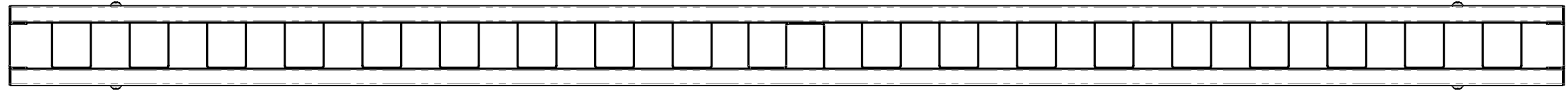


8 7 6 5 4 3 2 1



DETAIL A  
SCALE 1 : 1

#8 Stainless Steel Thread forming Screw grips in side extrusion (x 4)

WWE-A-LVS-48

WWE-A-LVS-12

Coverd Light Leakage

Full Name:.....  
Signature:.....  
Date:.....

UNLESS OTHERWISE SPECIFIED:  
DIMENSIONS ARE IN INCHES  
TOLERANCES:  
FRACTIONAL ±  
ANGULAR: MACH ± BEND ±  
TWO PLACE DECIMAL ±  
THREE PLACE DECIMAL ±  
INTERPRET GEOMETRIC  
TOLERANCING PER:  
  
MATERIAL  
22 ga EGS  
  
FINISH  
Powder Coat Flat  
Black

	NAME	DATE
DRAWN	TB	1/5/2014
CHECKED		
ENG APPR.		
MFG APPR.		
Q.A.		
COMMENTS:		

**ECOSENSE™**

TITLE:  
WWEX Symmetrical  
Louver

SIZE	DWG. NO.	REV
<b>B</b>	WWE-A-LVS-XX	02

SCALE: 1:8 SHEET 1 OF 1

PROPRIETARY AND CONFIDENTIAL: THE INFORMATION CONTAINED IN THIS DRAWING IS THE SOLE PROPERTY OF ECOSENSE LIGHTING INC. ANY REPRODUCTION IN PART OR AS A WHOLE WITHOUT THE WRITTEN PERMISSION OF ECOSENSE LIGHTING IS PROHIBITED.

8 7 6 5 4 3 2 1