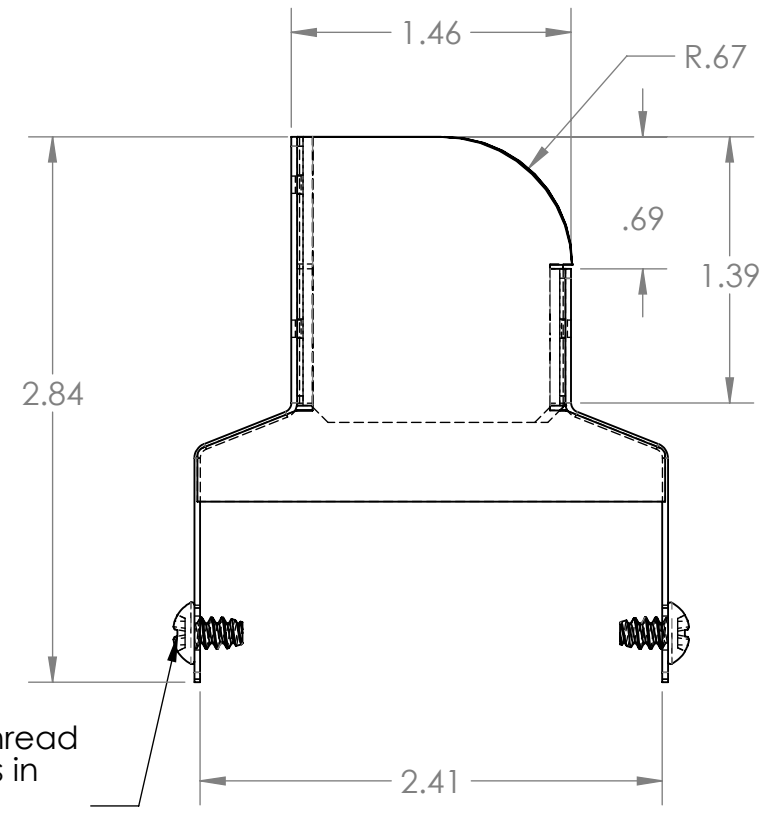
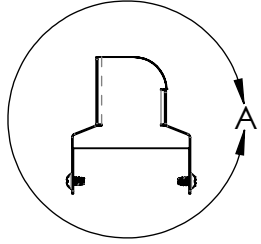
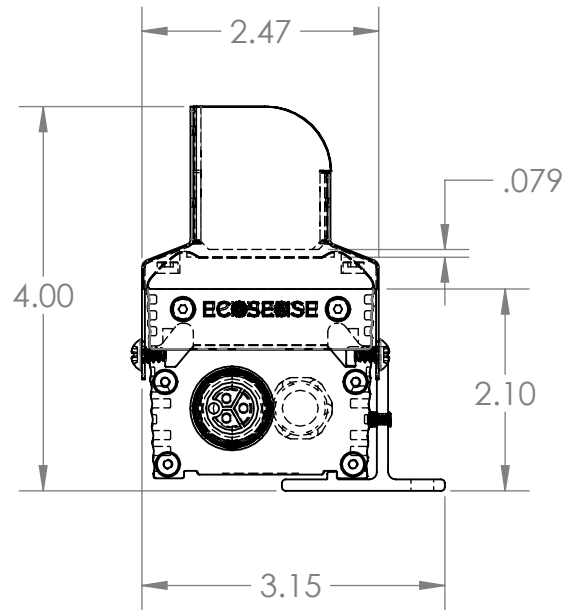
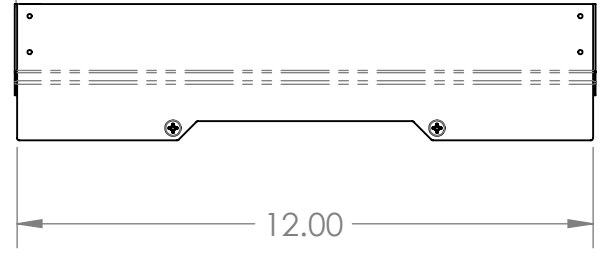
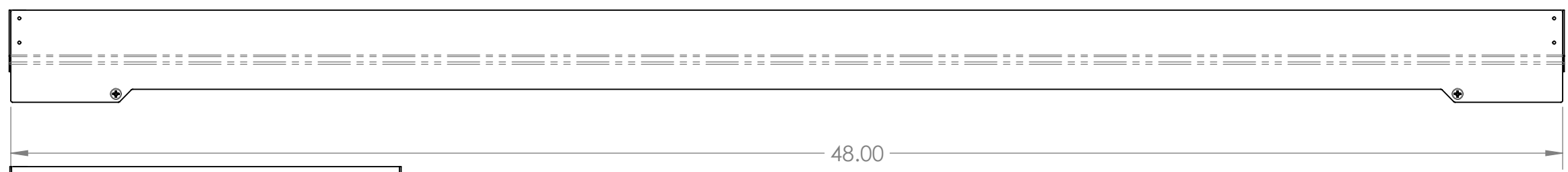
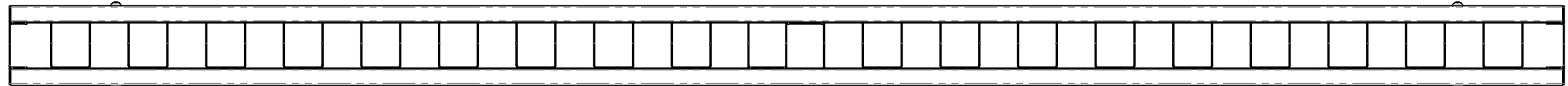


8 7 6 5 4 3 2 1



#6 Stainless Steel Thread forming Screw grips in side extrusion (x 4)

DETAIL A  
SCALE 1 : 1

**WWE-A-LVA-48**

**WWE-A-LVA-12**

Coverd Light Leakage

Full Name:.....  
Signature:.....  
Date:.....

UNLESS OTHERWISE SPECIFIED: DIMENSIONS ARE IN INCHES TOLERANCES: FRACTIONAL ± ANGULAR: MACH ± BEND ± TWO PLACE DECIMAL ± THREE PLACE DECIMAL ± INTERPRET GEOMETRIC TOLERANCING PER:		NAME	DATE
DRAWN	TB	1/5/2014	
CHECKED			
ENG APPR.			
MFG APPR.			
Q.A.			
MATERIAL 22 ga EGS		COMMENTS:	
FINISH Powder Coat Flat Black			
NEXT ASSY	USED ON		
APPLICATION	DO NOT SCALE DRAWING		

**ECOSENSE™**

TITLE:  
**WWEX Asymmetric Louver**

SIZE DWG. NO. REV  
**B** **WWE-A-LVA-XX** **02**

SCALE: 1:8 SHEET 1 OF 1

8 7 6 5 4 3 2 1