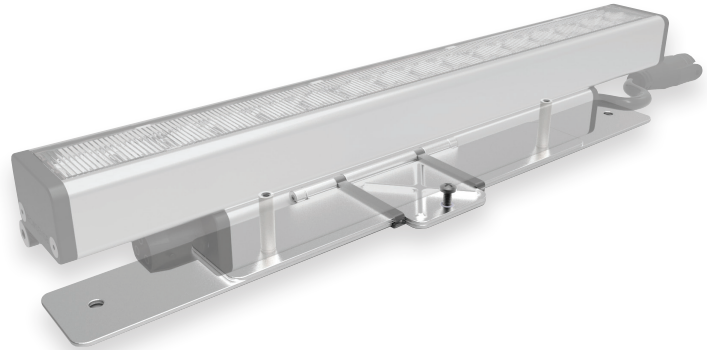


DATE	PROJECT	FIRM	TYPE
------	---------	------	------

TROV FINE ADJUSTMENT BRACKETS ARE IDEAL FOR APPLICATIONS THAT REQUIRE ANGLE ADJUSTMENTS SMALLER THAN 15° AND ARE HIGHLY RECOMMENDED FOR WALL GRAZING APPLICATIONS

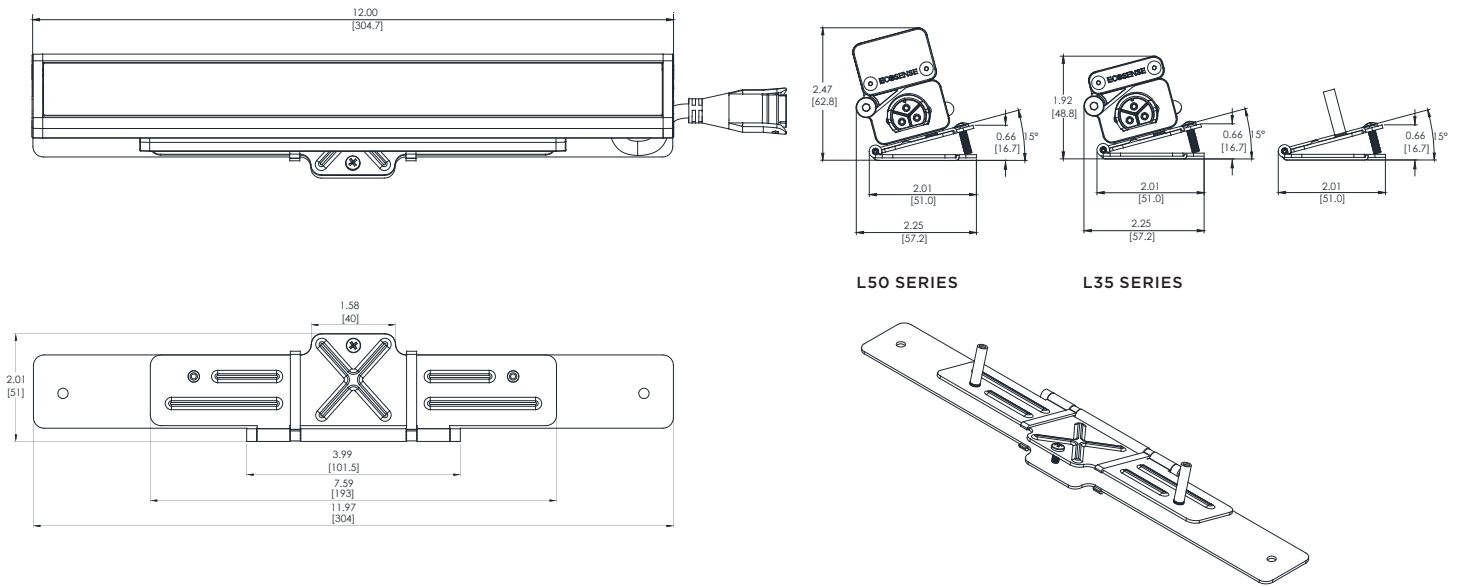
**FEATURES :**

- COMPATIBLE WITH L35 AND L50 SERIES FIXTURES
- FINE ADJUSTABLE BRACKET CAN BE SET TO ANY ANGLE FROM 1° TO 15 °



PHYSICAL	DIMENSIONS	MATERIAL
	W 1.68" x H 0.61" x L 12" ; (42.8mm x 15.5mm x 304.7mm) APPROX	CLEAR ANODIZED ALUMINUM

**FINE ADJUSTMENT BRACKET for L35 AND L50**



**ORDERING**

PART NUMBER	DESCRIPTION
MNT-L-FAB	TROV FINE ADJUSTMENT BRACKET

LIMITED WARRANTY 5 YEARS