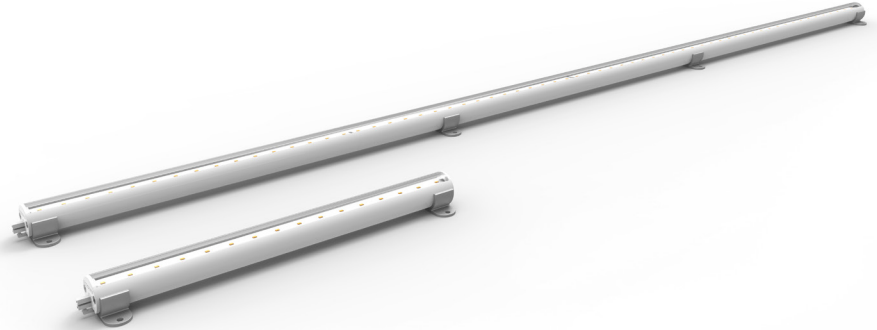


DATE	PROJECT	FIRM	TYPE
------	---------	------	------

SLIM COVE DIM IS THE SMALLEST, LINE-VOLTAGE, 400 LUMEN/FOOT, LUMINAIRE ON THE MARKET. SINGLE BINNING DELIVERS SUPERIOR COLOR QUALITY AND COLOR CONSISTENCY BETWEEN ALL ECOSENSE PRODUCTS.

**FEATURES :**

- DIM TO 10%, ELV REVERSE PHASE
- ULTRA LOW PROFILE MAINTAINED WHILE AIMING
- UP TO 123 lm/W
- MULTI-VOLT 120-277VAC
- SINGLE BIN COLOR MATCHES TROV
- 4 CCT OPTIONS
- 80+ CRI



MODEL	POWER	LENGTH	CCT	VOLTAGE
SCD	M - Medium Output	12 - 12" 48 - 48"	27 - 2700K 30 - 3000K 35 - 3500K 40 - 4000K	MULT (120-277VAC)

**EXAMPLE: SCD-M-12-27-MULT**

PERFORMANCE	POWER	WATTS	OPTIC	CCT	LUMEN OUTPUT	EFFICACY
	M	4W	120°	2700K	430 lm/ft ( 1411 lm/m )	108 lm/W
				3000K	470 lm/ft ( 1542 lm/m )	118 lm/W
				3500K	490 lm/ft ( 1608 lm/m )	123 lm/W
				4000K	470 lm/ft ( 1542 lm/m )	118 lm/W

**COLOR RENDERING INDEX** 80+  
**COLOR CONSISTENCY** SINGLE BIN 2-STEP MACADAM ELLIPSE

LUMEN DEPRECIATION / RATED LIFE	AMBIENT	L70 (hr)	L80 (hr)	L90 (hr)
	25°C	143,000	91,000	45,000
	40°C	115,000	72,000	35,000

\*CALCULATIONS FOR LED LIFE ARE BASED ON MEASUREMENTS THAT COMPLY WITH IES LM-80 TESTING PROCEDURES AND IES TM-21 CALCULATOR

ELECTRICAL	POWER CONSUMPTION	4W/ft (13.2W/m)
	MAX FIXTURE RUN LENGTH	120V = 90ft (27.4m) ; 220V = 170ft (51.8m) ; 277V = 200ft (60.9m)
	POWER FACTOR	120VAC > 0.85, 230VAC > 0.80, 277VAC > 0.75
	OPERATING VOLTAGE	120-277VAC, 50/60 Hz
	DRIVER	INTEGRAL TO FIXTURE; DE-RATED

CONTROL	DIMMING	ELV TYPE 10%-100%, REVERSE PHASE, TRAILING EDGE
---------	---------	---

ECOSENSE LIGHTING INC.  
837 NORTH SPRING STREET  
SUITE 103  
LOS ANGELES, CA 90012

P • 310.496.6255  
F • 310.496.6256  
T • 855.632.6736  
855.6.ECOSEN

SPECIFICATIONS SUBJECT TO CHANGE WITHOUT NOTICE. VISIT [ECOSENSELIGHTING.COM](http://ECOSENSELIGHTING.COM) FOR THE MOST CURRENT SPECIFICATIONS. FOR A LIST OF PATENTS VISIT [ECOSENSELIGHTING.COM/IP-PORTFOLIO/](http://ECOSENSELIGHTING.COM/IP-PORTFOLIO/)  
©2017 ECOSENSE LIGHTING INC. ALL RIGHTS RESERVED. ECOSENSE, THE ECOSENSE LOGO, TROV, TROV AND ECOSPEC ARE REGISTERED TRADEMARKS OF ECOSENSE LIGHTING INC.  
RISE™, SLIM COVE™, FREEDOM TO CREATE™, MACRO™, FLIP-TO-FLAT™ ARE TRADEMARKS OF ECOSENSE LIGHTING INC.

[ECOSENSELIGHTING.COM](http://ECOSENSELIGHTING.COM)

1/2

DATE	PROJECT	FIRM	TYPE
<b>PHYSICAL</b>	<b>DIMENSIONS</b>	W 1.55" x H 1.16" x L 12"/48" ; (39.4mm x 29.4mm x 304.7mm/1201mm)	
	<b>HOUSING/LENS</b>	EXTRUDED POLYCARBONATE HOUSING AND LENS	
	<b>WEIGHT</b>	0.313lbs / 0.141kg (1ft) / 1.113lbs / 0.504kg (4ft)	
	<b>CONNECTORS</b>	INTEGRAL MALE/ FEMALE CONNECTORS	
	<b>ENVIRONMENT</b>	INDOOR • ETL CERTIFIED FOR DRY/DAMP LOCATIONS IP40 AND IMPACT RATED AT IK07	
	<b>MOUNTING OPTIONS</b>	INCLUDES EASY TO INSTALL MOUNTING CLIPS THAT ALLOW 50 DEGREE ADJUSTABILITY	

**FIXTURE RATING & CERTIFICATIONS**  
 CE, ETL CERTIFIED  
 RoHS COMPLIANT  
 ENERGY STAR COMPLIANT



**IP40 IK07**

**LIMITED WARRANTY** 5 YEARS

**WIRING OPTIONS (UNIVERSAL) 120-277VAC**

Cable Assembly, 2-Pin, White, Leader, Universal Voltage, with Terminator Cap, 10 feet .....	CBL-2P-LWH-LDR-UNV-10
Cable Assembly, 2-Pin, White, Jumper, Universal Voltage, 5 feet .....	CBL-2P-LWH-JMP-UNV-5
Cable Assembly, 2-Pin, White, Jumper, Universal Voltage, 1 foot .....	CBL-2P-LWH-JMP-UNV-1
Cable Assembly, 2-Pin, White, Jumper, Universal Voltage, 3 inch .....	CBL-2P-LWH-JMP-UNV-03

**0-10V CONTROL OPTIONS**

100-120VAC / 277VAC Linear Dimming Control Module 0-10V - Plenum Rated .....	LDCM-PL-120-277-010V-GR
--	-------------------------

All products come standard with ELV dimming capabilities. 0-10V Control options required for operation at 0-10V.

**OPTIONAL ACCESSORIES**

**Mounting**

Mounting Track, 48 inch ..... **SCD-A-MNT-TRK-48** MOUNTING TRACK IS 48" LONG AND IS FIELD CUTABLE. THE MOUNTING FEET THAT ARE INCLUDED WITH THE FIXTURES CLIP INTO THE TRACK. NO ADDITION PARTS NEEDED.

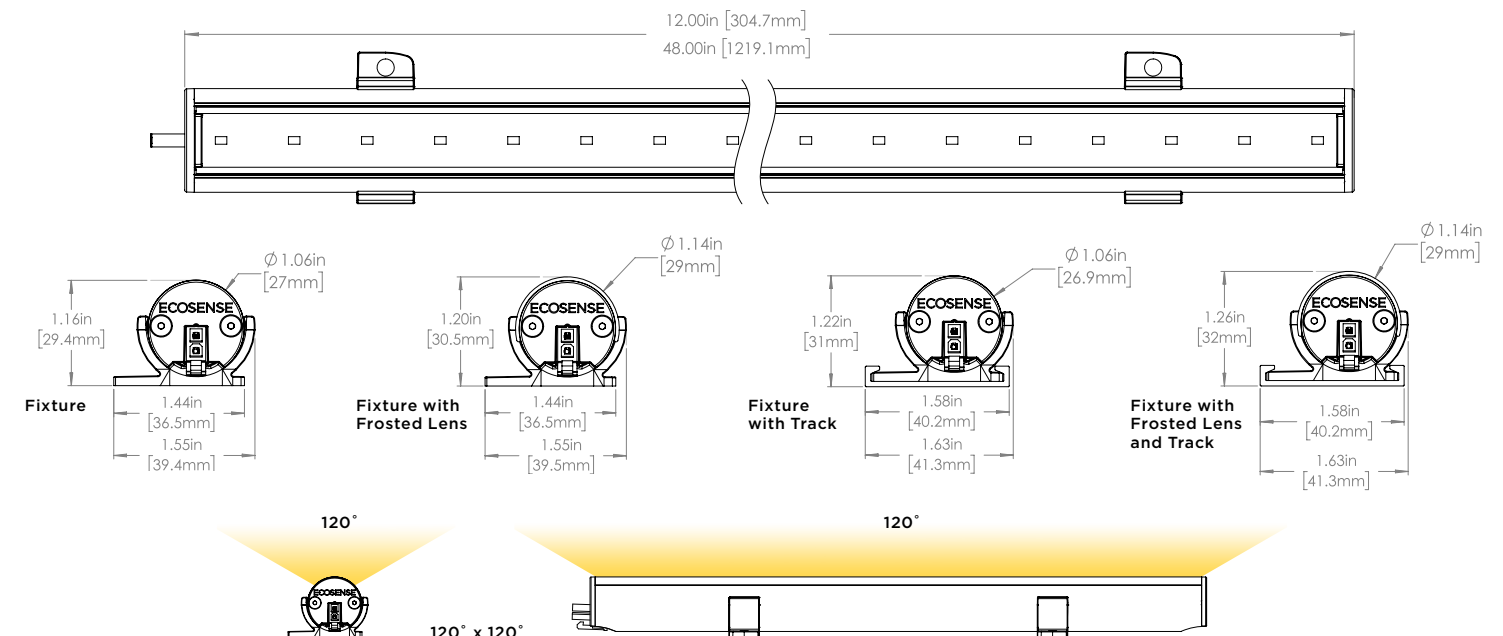
**Snap-on Lenses**

Snap-on Lens, Frosted, 12 inch, SCD ..... **SCD-A-FRLS-12** SNAP-ON LENSES NEED = ONE 12" LENS IS NEEDED PER 12" FIXTURE AND ONE 48" LENS IS NEEDED PER 48" FIXTURE. FROSTED LENSES ARE 20% DIFFUSE.

Snap-on Lens, Frosted, 48 inch, SCD ..... **SCD-A-FRLS-48**

**Wire Box**

Conduit Connection Wire Box, SCD, White ..... **SCD-A-WIREBOX** WIRE BOX CAN BE USED INSTEAD OF A LEADER CABLE TO START A RUN. 1/2" CONDUIT FITTING CAN ATTACH DIRECTLY TO THE BOX ON ONE END AND THE FIXTURE TO THE OTHER



**ECOSENSE LIGHTING INC.**  
 837 NORTH SPRING STREET  
 SUITE 103  
 LOS ANGELES, CA 90012

**P** • 310.496.6255  
**F** • 310.496.6256  
**T** • 855.632.6736  
 855.6.ECOSEN

SPECIFICATIONS SUBJECT TO CHANGE WITHOUT NOTICE. VISIT [ECOSENSELIGHTING.COM](http://ECOSENSELIGHTING.COM) FOR THE MOST CURRENT SPECIFICATIONS. FOR A LIST OF PATENTS VISIT [ECOSENSELIGHTING.COM/IP-PORTFOLIO/](http://ECOSENSELIGHTING.COM/IP-PORTFOLIO/)  
 ©2017 ECOSENSE LIGHTING INC. ALL RIGHTS RESERVED. ECOSENSE, THE ECOSENSE LOGO, TROY, TROY AND ECOSPEC ARE REGISTERED TRADEMARKS OF ECOSENSE LIGHTING INC.  
 RISE™, SLIM COVE™, FREEDOM TO CREATE™, MACRO™, FLIP-TO-FLAT™ ARE TRADEMARKS OF ECOSENSE LIGHTING INC.

[ECOSENSELIGHTING.COM](http://ECOSENSELIGHTING.COM)

2/2