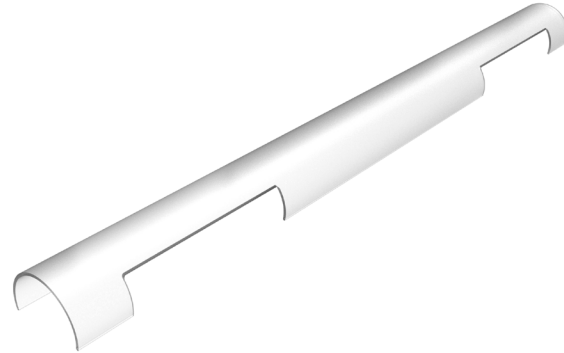


DATE	PROJECT	FIRM	TYPE
------	---------	------	------

SLIM COVE DIM FROSTED LENSES ARE USED TO DIFFUSE LIGHT FOR APPLICATIONS WHERE THE FIXTURE IS VISIBLE. FROSTED LENSES CUT DOWN ON GLARE AND SOFTENS THE LIGHT.

FEATURES :

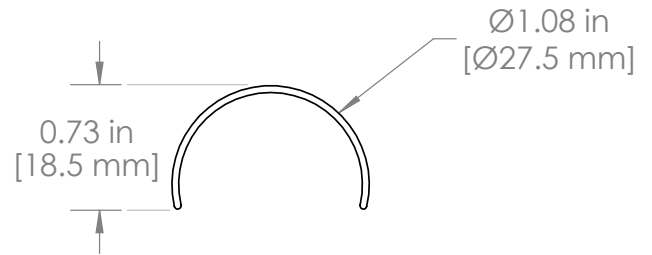
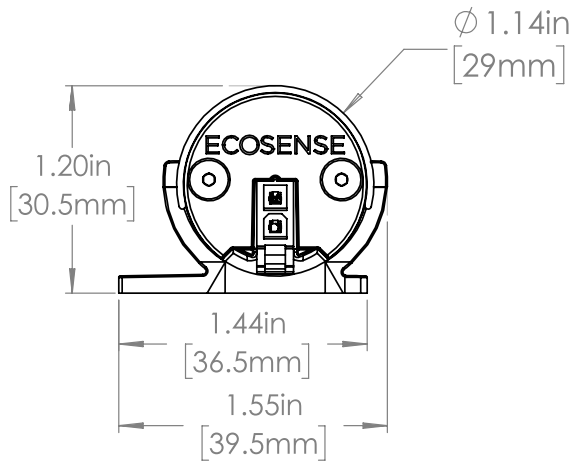
- 12" AND 48" OPTIONS AVAILABLE
- 20% DIFFUSION
- EASY SNAP ON. NO TOOLS REQUIRED.
- CAN BE INSTALLED AFTER FIXTURE INSTALLATION



PHYSICAL	DIMENSIONS MATERIAL DIFFUSION	W 1.08" x H 0.73" x L 12"/48"; (27.5mm x 18.5mm x 304mm/1201mm) POLYCARBONATE 20%
-----------------	--	---

SCD FROSTED LENS INSTALLED ON FIXTURE

SCD FROSTED LENS



ORDERING

PART NUMBER	DESCRIPTION
SCD-A-FRLS-12	SLIM COVE DIM, SNAP ON FROSTED LENS, 12 INCH
SCD-A-FRLS-48	SLIM COVE DIM, SNAP ON FROSTED LENS, 48 INCH

LIMITED WARRANTY 5 YEARS

ECOSENSE LIGHTING INC.
837 NORTH SPRING STREET
SUITE 103
LOS ANGELES, CA 90012

P • 310.496.6255
F • 310.496.6256
T • 855.632.6736
855.6.ECOSEN

SPECIFICATIONS SUBJECT TO CHANGE WITHOUT NOTICE. VISIT ECOSENSELIGHTING.COM FOR THE MOST CURRENT SPECIFICATIONS. FOR A LIST OF PATENTS VISIT ECOSENSELIGHTING.COM/IP-PORTFOLIO/
©2017 ECOSENSE LIGHTING INC. ALL RIGHTS RESERVED. **ECOSENSE**, THE **ECOSENSE** LOGO, **TROV**, **TROY** AND **ECOSPEC** ARE REGISTERED TRADEMARKS OF ECOSENSE LIGHTING INC.
RISE™, **SLIM COVE™**, **FREEDOM TO CREATE™**, **MACRO™**, **FLIP-TO-FLAT™** ARE TRADEMARKS OF ECOSENSE LIGHTING INC.

ECOSENSELIGHTING.COM

1/1