

DATE	PROJECT	FIRM	TYPE
------	---------	------	------

RISE IS A SYSTEM OF BEAUTIFULLY DESIGNED OUTDOOR RATED LUMINAIRES THAT PROVIDE EFFICIENT AND POWERFUL LIGHT USING THE LATEST IN LED TECHNOLOGY. RISE F080 SINGLE IS A POWERFUL AND COMPACT LED LIGHT FIXTURE, DELIVERING UP TO 745 LUMENS, THAT CAN BE USED IN SPOT, ACCENT, LANDSCAPE AND FLOODLIGHT APPLICATIONS. ITS UNIQUE MACRO™ LOCK FEATURE ALLOWS FOR FULL 180 DEGREE TILT AND 360 DEGREE PAN AIMABILITY USING ONLY ONE TWIST.

**FEATURES :**

- POWERFUL CBCP
- ONLY 5° LASER SPOT
- EXTREMELY COMPACT
- POWERFUL OUTPUT 300-745LMS
- MACRO™ LOCK - 180° TILT AND 360° PAN
- 11 UNIQUE BEAM ANGLES
- MULTIVOLT (110V-277V)
- 8 CCTS: 2200K THROUGH 6500K
- 80+ AND 90+ CRI
- DIMMABLE TO 5%
- IP66 RATED



FIXTURE MODEL	FIXTURE CONFIG.	POWER/LUMEN OUTPUT*	CCT/COLOR	CRI	BEAM ANGLE	FINISHES	ACCESSORIES	WIRING AND MOUNTING
F080	1S - Single Head	LO - Low Output MO - Medium Output HO - High Output	22 - 2200K 25 - 2500K 27 - 2700K 30 - 3000K 35 - 3500K 40 - 4000K 50 - 5000K 65 - 6500K RD - Red GR - Green BL - Blue AM - Amber	8 - 80 9 - 90* X - For RD, GR, BL, AM  *90 CRI not available in 2200K, 2500K, 5000K, and 6500K	05 - Laser Spot (5°) 10 - Very Narrow Spot (10°) 15 - Narrow Spot (15°) 20 - Spot (20°) 40 - Flood (40°) 60 - Wide Flood (60°) 80 - Very Wide Flood (80°) E1 - Elliptical 1 (15°x60°) E2 - Elliptical 2 (30°x60°) E3 - Elliptical 3 (60°x15°) E4 - Elliptical 4 (60°x30°)	K - Black Z - Bronze S - Silver W - White C - Custom*  *Select color at pantone.com	X - No Accessory H - Half Snoot F - Full Snoot C - Custom  Will ship as X if not specified	A - 19" Flying Leads - Internal Cable IC; Bottom Exit; 1/2" NPT ; UL/CE Rated B* - 3.3' External Cable Side Exit; Surface Mount ; UL/CE Rated C* - 3.3' External Cable Bottom Exit; Surface Mount - 1/2" NPT ; UL/CE Rated  Will ship as A if not specified

**EXAMPLE:** F080-1S-LO-22-8-05-S-X-A

\*See Photometry Chart for Lumen Data

PERFORMANCE	WATTS	POWER	LUMEN OUTPUT	OPTIC	EFFICACY	CBCP
	4	Low Output	309	5°	77	21,991
	7.5	Medium Output	531	5°	71	37,824
	11.5	High Output	745	5°	65	53,048

ALL LUMEN DATA IS FROM 4000K 80CRI FIXTURES. PLEASE SEE PHOTOMETRY SPEC SHEET FOR ADDITIONAL LUMEN DATA.

<b>COLOR RENDERING INDEX</b>	80+, 90+
<b>COLOR CONSISTENCY</b>	3-STEP MACADAM ELLIPSE

LUMEN DEPRECIATION / RATED LIFE	WATTS	L70 @ 25C	L70 @ 50C	L90 @ 25C	L90 @ 50C
	HIGH	>60,500* >(181,000)**	>36,3000* >(109,000)**	>60,500* >(69,800)**	>31,700*

\* ENERGY STAR REPORTED TESTING HOURS TO DATE. CALCULATIONS FOR LED FIXTURES ARE BASED ON MEASUREMENTS THAT COMPLY WITH IES LM-80 TESTING PROCEDURES AND IES TM-21 CALCULATOR  
\*\* ESTIMATED HOURS

NOTE: Information on this Spec Sheet is subject to change, please visit [ecosenselighting.com/raise](http://ecosenselighting.com/raise) for the most updated information.

**ECOSENSE LIGHTING INC.**  
837 NORTH SPRING STREET  
SUITE 103  
LOS ANGELES, CA 90012

**P** • 310.496.6255  
**F** • 310.496.6256  
**T** • 855.632.6736  
855.6.ECOSEN

SPECIFICATIONS SUBJECT TO CHANGE WITHOUT NOTICE. VISIT [ECOSENSELIGHTING.COM](http://ECOSENSELIGHTING.COM) FOR THE MOST CURRENT SPECIFICATIONS.  
© 2017 ECOSENSE LIGHTING INC. ALL RIGHTS RESERVED. ECOSENSE, THE ECOSENSE LOGO, RISE, TROV, SLIM COVE AND ECOSPEC ARE REGISTERED TRADEMARKS OF ECOSENSE LIGHTING INC.  
**FREEDOM TO CREATE™**

[ECOSENSELIGHTING.COM](http://ECOSENSELIGHTING.COM)

1/4

DATE	PROJECT	FIRM	TYPE
<b>ELECTRICAL</b>	<b>WATTAGE</b> <b>POWER FACTOR</b> <b>THD</b> <b>OPERATING VOLTAGE DRIVER</b> <b>STARTUP TEMPERATURE</b> <b>OPERATING TEMPERATURE</b> <b>STORAGE TEMPERATURE</b>	LOW OUTPUT = 4W; MEDIUM OUTPUT = 7.5W; HIGH OUTPUT = 11.5W >0.9 for 120V (HO, MO, LO), 230V (HO, MO), 277V (HO) <0.2 for 120V (HO, MO, LO), 230V (HO, MO), 277V (HO) MULTIVOLT: 110-277VAC, 50/60 Hz INTEGRAL TO FIXTURE; DE-RATED POWER AND SYNCHRONOUS START-UP AT FULL BRIGHTNESS -40°F TO 122°F (-40°C TO 50°C) -40°F TO 122°F (-40°C TO 50°C) -40°F TO 176°F (-40°C TO 80°C)	
<b>CONTROL</b>	<b>DIMMING</b>	110-277VAC, ELV TYPE, REVERSE PHASE, TRAILING EDGE	
<b>PHYSICAL</b>	<b>DIMENSIONS</b> <b>HOUSING/LENS</b> <b>WEIGHT</b> <b>ENVIRONMENT</b> <b>MOUNTING OPTIONS</b> <b>JUNCTION BOX</b> <b>WIRING</b> <b>TOOLS</b> <b>WIND LOAD (EPA)</b> <b>CORROSION RESISTANT</b>	W 2.49" x H 8.13" x L 6.97" ; (63.33mm x 206.45mm x 177.05mm) EXTRUDED ALUMINUM; UV STABILIZED POLYCARBONATE; STAINLESS STEEL FASTENERS 1.25LBS / 0.56KG OUTDOOR • UL CERTIFIED FOR WET LOCATIONS IP66 IMPACT RATED TO IK10 A - FLYING LEADS - INTERNAL CABLE IC; BOTTOM EXIT; 1/2" NPT ; UL/ CE RATED B - EXTERNAL CABLE SIDE EXIT; SURFACE MOUNT ; UL/CE RATED C - EXTERNAL CABLE BOTTOM EXIT; 1/2" NPT ; UL/CE RATED PROVIDED BY OTHERS LENGTH OF FLYING LEADS 19" (482.6mm) LENGTH OF EXTERNAL CABLE 3.3' (1m) 2.5mm HEX KEY AND PHILLIPS #0 SCREWDRIVER FOR INTERCHANGEABLE LENS + SNOOTS 4mm HEX KEY FOR AIMING 5mm HEX KEY FOR MAIN TILT ARM EFFECTIVE PROJECTED AREA 0.14ft <sup>2</sup> RISE HAS A HIGH-PERFORMING, CORROSION-RESISTANT FINISH THAT USES HIGH DURABILITY TRIGLYCIDYL ISOCYANURATE (TGIC) POWDER COATINGS SPECIFICALLY DESIGNED FOR EXTERIOR AND WEATHER EXPOSURE. THIS FINISH IS TESTED AGAINST THE MOST SEVERE SPECIFICATIONS, PROVIDING SIGNIFICANT RESISTANCE TO COLOR CHANGE.	

**FIXTURE RATING & CERTIFICATIONS** CE, UL CERTIFIED  
RoHS COMPLIANT, IK10



**LIMITED WARRANTY** 5 YEARS

**0-10V CONTROL OPTIONS**

100-120VAC / 277VAC Linear Dimming Control Module 0-10V - Plenum Rated ..... LDCM-PL-120-277-010V-GR  
 All products come standard with ELV dimming capabilities. 0-10V Control options required for operation at 0-10V.

**OPTIONAL ACCESSORIES**

**Snoots**  
 Half Snoot, Color Finish (K=Black, Z=Bronze, S=Silver, W=White, C=Custom) ..... F080-H-(K,Z,S,W,C)  
 Full Snoot, Color Finish (K=Black, Z=Bronze, S=Silver, W=White, C=Custom) ..... F080-F-(K,Z,S,W,C)

**Interchangeable Lens**

5 Degree	F080-LENS-05
10 Degree	F080-LENS-10
15 Degree	F080-LENS-15
20 Degree	F080-LENS-20
40 Degree	F080-LENS-40
60 Degree	F080-LENS-60
80 Degree	F080-LENS-80
15x60 Degree	F080-LENS-15x60
30x60 Degree	F080-LENS-30x60
60x15 Degree	F080-LENS-60x15
60x30 Degree	F080-LENS-60x30
Full Set of Beam Angle Lens Degree (5, 10, 15, 20, 40, 60, 80, 15x60, 30x60, 60x15, 60x30)	F080-LENS-FULLSET

**Canopy Plate**  
 RISE Canopy Plate (K=Black, Z=Bronze, S=Silver, W=White, C=Custom) ..... RISE-CANOPY-04-(K,Z,S,W,C)

NOTE: Information on this Spec Sheet is subject to change, please visit [ecosenselighting.com/raise](http://ecosenselighting.com/raise) for the most updated information.

**ECOSENSE LIGHTING INC.**  
 837 NORTH SPRING STREET  
 SUITE 103  
 LOS ANGELES, CA 90012

**P • 310.496.6255**  
**F • 310.496.6256**  
**T • 855.632.6736**  
 855.6.ECOSEN

SPECIFICATIONS SUBJECT TO CHANGE WITHOUT NOTICE. VISIT [ECOSENSELIGHTING.COM](http://ECOSENSELIGHTING.COM) FOR THE MOST CURRENT SPECIFICATIONS.  
 © 2017 ECOSENSE LIGHTING INC. ALL RIGHTS RESERVED. ECOSENSE, THE ECOSENSE LOGO, RISE, TROV, SLIM COVE AND ECOSPEC ARE REGISTERED TRADEMARKS OF ECOSENSE LIGHTING INC.  
 FREEDOM TO CREATE™

DATE	PROJECT	FIRM	TYPE
------	---------	------	------

**Color Filters**

Red .....	F080-FILTER-RED
Blue .....	F080-FILTER-BLUE
Green .....	F080-FILTER-GREEN
Amber .....	F080-FILTER-AMBER

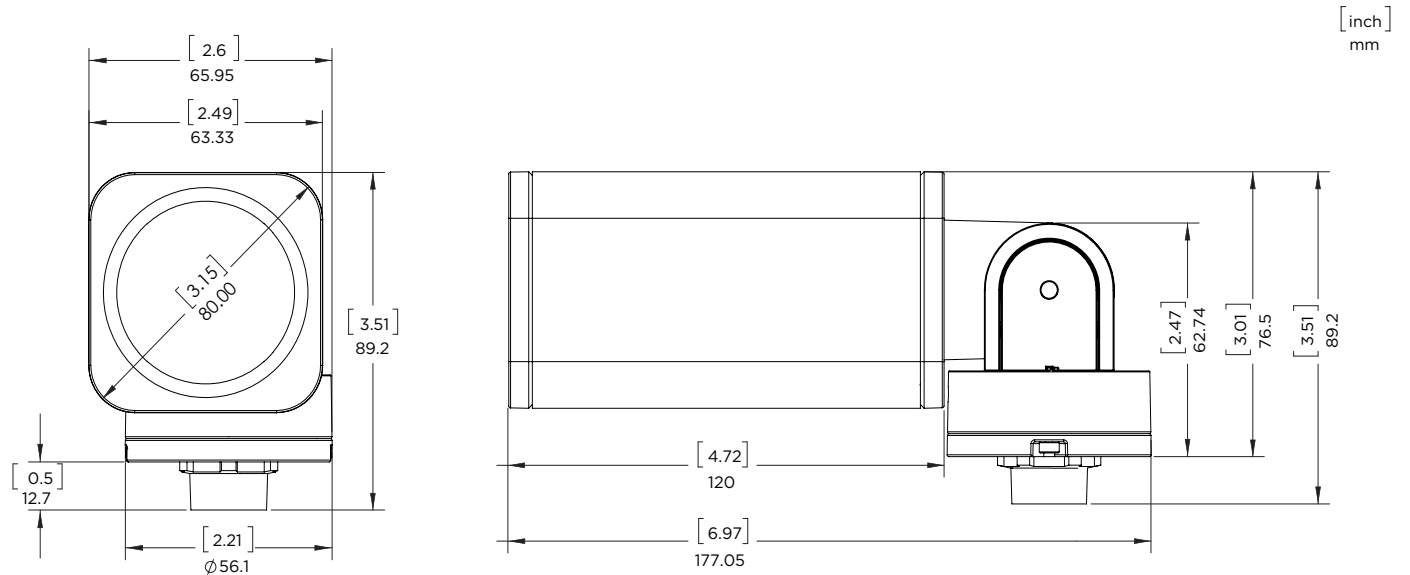
**F080 Wall Mount Arm** (for use only with Wiring Option C - External Cable Bottom Exit)

Wall Mount Arm, 6 inch, Color Finish (K=Black, S=Silver, C=Custom) .....	F080-WMA-06-(K,S,C)
Wall Mount Arm, 12 inch, Color Finish (K=Black, S=Silver, C=Custom) .....	F080-WMA-12-(K,S,C)
Wall Mount Arm, 18 inch, Color Finish (K=Black, S=Silver, C=Custom) .....	F080-WMA-18-(K,S,C)
Wall Mount Arm, 24 inch, Color Finish (K=Black, S=Silver, C=Custom) .....	F080-WMA-24-(K,S,C)

**Ground Stake** (for use only with Wiring Option C - External Cable Bottom Exit, not for use with multi-fixture units)

Landscape Stake, 12in (for use with F080 Single Head only, not for use with multi-fixture units) .....	F080-LS-1S-STK-12
--	-------------------

**DIMENSIONS**



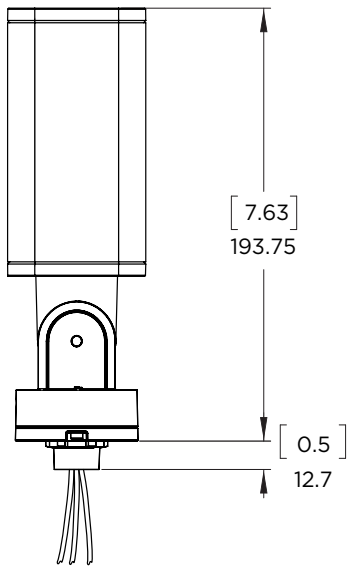
NOTE: Information on this Spec Sheet is subject to change, please visit [ecosenselighting.com/raise](http://ecosenselighting.com/raise) for the most updated information.

DATE	PROJECT	FIRM	TYPE
------	---------	------	------

## WIRING GUIDE

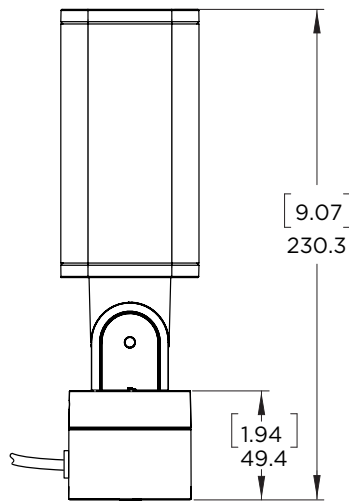
RISE is an interior and exterior rated (IP66) fixture that is available in three different wiring options:

### Flying Leads - Internal Cable (UL + CE Rated)



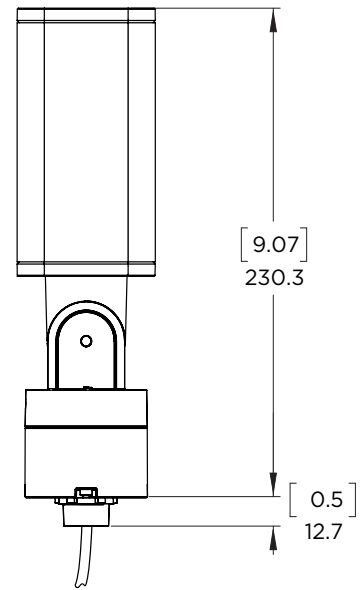
- For use with standard junction boxes
- 1/2" NPT Taper, Cable Length is 19"
- Compatible with EcoSense Canopy junction Box Cover
- 18 AWG Stranded Copper Cable - 3 Conductors

### External Cable Side Exit (UL + CE Rated)



- For use when external, exterior rated cable is required to run to remote junction box or mains
- Cable exits the side of the base
- Comes with a Surface Mount Plate, for mounting direct to surface
- Cable Length is 10' (3.05m)

### External Cable Bottom Exit (UL + CE Rated)



- For use when external, exterior rated cable is required to run to remote junction box or mains
- Cable exits the bottom for use with various accessories such as Wall Mount Arm and Ground Stake
- 1/2" NPT taper for mounting
- Comes with a Surface Mount Plate, for mounting direct to surface
- Cable Length is 10' (3.05m)

NOTE: Information on this Spec Sheet is subject to change, please visit [ecosenselighting.com/raise](http://ecosenselighting.com/raise) for the most updated information.