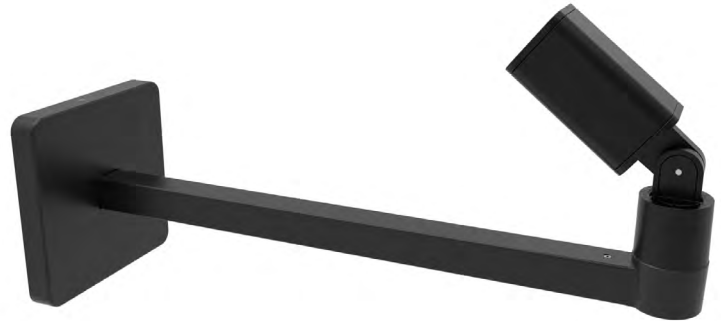


DATE	PROJECT	FIRM	TYPE
------	---------	------	------

RISE F080 WALL MOUNT ARM IS ROBUST AND POWERFUL 3G RATED MOUNTING ARM, USED TO MOUNT THE RISE F080 FIXTURE A CERTAIN DISTANCE AWAY FROM A WALL OR SURFACE.

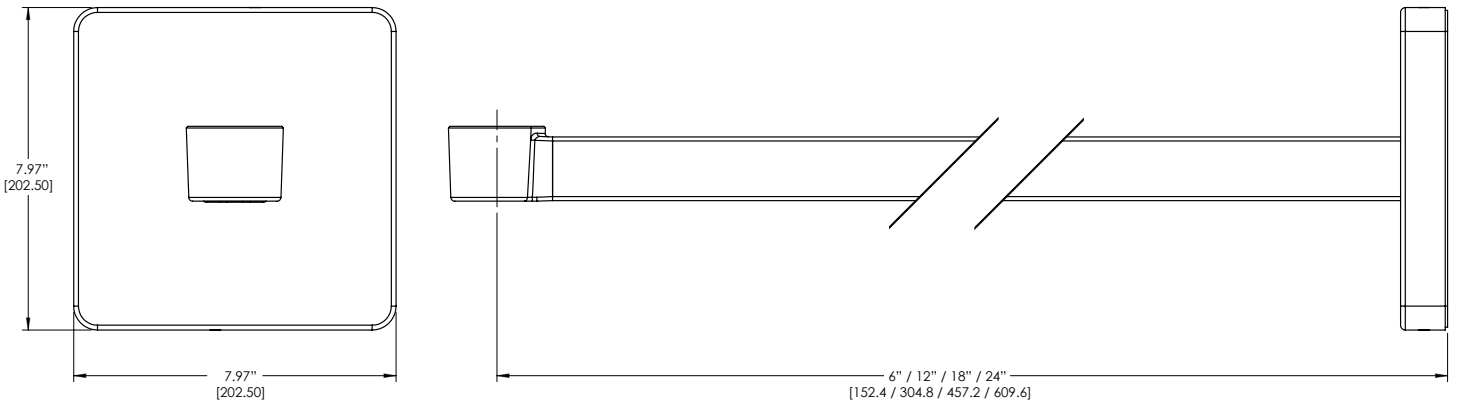
FEATURES :

- COMPATIBLE WITH RISE F080 EC BOTTOM MOUNTING OPTION ONLY
- AVAILABLE IN 6", 12", 18" AND 24" LENGTHS
- MOUNTS TO SURFACE, NOT DIRECTLY ONTO JUNCTION BOX
- 3G RATED
- STAINLESS STEEL & ALUMINUM PARTS POWDER COATED IN STANDARD BLACK FINISH
- AVAILABLE TO BE CUSTOM PAINTED ANY COLOR
- NO VISIBLE MOUNTING HARDWARE OR LEADER CABLE
- RISE F080 FIXTURE MOUNTS TO THE END CAP AND CAN BE AIMED UP, DOWN OR TO THE SIDE



PHYSICAL	DIMENSIONS	W 7.97" x H 7.97" x L 6", 12", 18", 24": (202.5mm x 202.5mm x 152.4, 304.8, 457.2, 609.6mm) APPROX
----------	------------	--

RISE F080 WALL MOUNT ARM



ORDERING

PART NUMBER	DESCRIPTION
F080-WMA-06-(K,C)	RISE F080 WALL/SURFACE MOUNT ARM, 6 INCH, COLOR FINISH (K=BLACK, C=CUSTOM)
F080-WMA-12-(K,C)	RISE F080 WALL/SURFACE MOUNT ARM, 12 INCH, COLOR FINISH (K=BLACK, C=CUSTOM)
F080-WMA-18-(K,C)	RISE F080 WALL/SURFACE MOUNT ARM, 18 INCH, COLOR FINISH (K=BLACK, C=CUSTOM)
F080-WMA-24-(K,C)	RISE F080 WALL/SURFACE MOUNT ARM, 24 INCH, COLOR FINISH (K=BLACK, C=CUSTOM)

LIMITED WARRANTY 5 YEARS